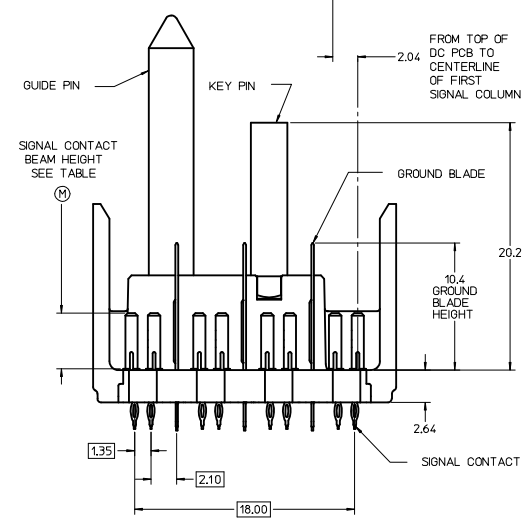


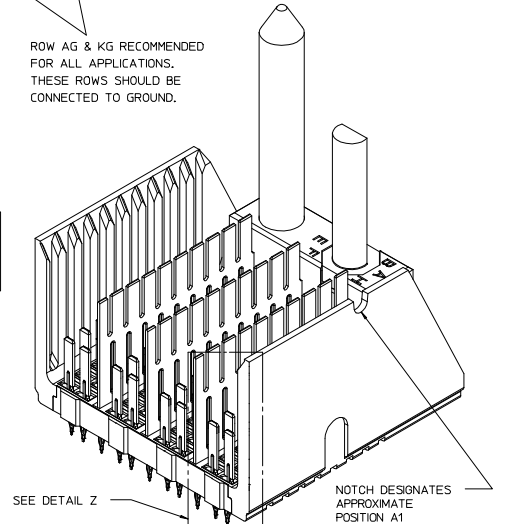
- NOTES:**
1. MATERIAL: HOUSING - LIQUID CRYSTAL POLYMER (LCP) GLASS-FILLED, UL 94V-0, COLOR - GRAY, ELECTRICALLY ENHANCED INSERT: CONDUCTIVE RESIN, COLOR - BLACK, SIGNAL CONTACT AND GROUND BLADE - HIGH PERFORMANCE COPPER ALLOY.
 2. FINISHES: SELECTIVE GOLD (Au) ON CONTACT AREA, SELECTIVE MATTE TIN (Sn) ON PCB TAILS, NICKEL (Ni) OVERALL.
 3. THESE PARTS CONFORM TO MOLEX PRODUCT SPECIFICATION PS-75221-999.
 4. FOR MIXED CONTACT MATING LENGTHS CONSULT MOLEX FOR AVAILABILITY. CONTACT PAIRS MUST BE THE SAME LENGTH.
 5. FOR SPECIFIC PART NUMBER AND MATING INFORMATION PLEASE REFER TO CHART.
 6. PACKAGE PER PK-70873-563.
 7. EITHER MARK PART NUMBER AND DATE CODE APPROXIMATELY WHERE SHOWN OR PLACE A LABEL ON THE TUBE.
 8. OPTIONAL HOLE LOCATION FOR GROUNDED GUIDE PIN OR ADDITIONAL GUIDE PIN SUPPORT. SEE DRAWING SD-75234-100 FOR DETAIL & LOCATION.
 9. MINIMUM BOARD THICKNESS: 1.6
 10. THESE PARTS CONFORM TO MOLEX COSMETIC SPECIFICATION PS-45499-002 CLASS B
 11. MAPS I MOLEX ADVANCED PLATING SYSTEM.



THE PRIMARY CARTON WITH A LABEL STATING "ELV AND RoHS COMPLAINT" IS LEAD FREE. CARTONS WITHOUT THIS LABEL MAY CONTAIN LEAD.

ASSY PART NO.	K	L	P	TOTAL NO. OF DIFFERENTIAL PAIRS
75830-31**	9	16.65	24.78	40
75830-32**	24	44.40	52.53	100
75830-37**	6	11.10	19.23	28

LEAD-FREE PLATING



75830-3***

COLUMN
31=10 COL
32=25 COL
37= 7 COL

KEYING ORIENTATION
0 = NONE
1 = A
2 = B
ETC...

PIN LENGTH DIM **M	GOLD (Au) THICKNESS micrometers
0-3.55 mm	0.25 (MAPS)
1-4.55 mm	
2-5.55 mm	
3-3.55 mm	0.76
4-4.55 mm	
5-5.55 mm	
7-3.55 mm	
8-4.55 mm	1.27
9-5.55 mm	

P/N	**0*	**1*	**2*	**3*	**4*	**5*	**6*	**7*	**8*
75830-()	0	A	B	C	D	E	F	G	H
KEYING PIN ORIENTATION									

REV TO LEAD-FREE	QUALITY SYMBOLS	GENERAL TOLERANCES (UNLESS SPECIFIED)	DIMENSION STYLE	SCALE	DESIGN UNITS	THIRD ANGLE PROJECTION
REV NO: UCP 2013-0690	▽=0	4 PLACES ±--- INCH	MM ONLY	5:1	METRIC	THIRD ANGLE PROJECTION
DRWNGES 2012/09/06	▽=0	3 PLACES ±--- INCH				
CHKD/MOLFE 2012/09/07	▽=0	2 PLACES ±0.25 INCH				
APPROX/MILLER 2012/12/05	▽=0	1 PLACE ±0.38 INCH				
		0 PLACE ±--- INCH				
		ANGULAR ±1/2°				
		DRAFT WHERE APPLICABLE MUST REMAIN WITHIN DIMENSIONS				
			DRAWN BY	DATE	TITLE	
			JB INGHAM	2008/01/22	GBX 4-PAIR BACKPLANE, LF	
			CHECKED BY	DATE	ELECTRICALLY ENHANCED	
			JLARUX	2008/01/22	LEFT END SALES ASSEMBLY	
			APPROVED BY	DATE		
			SMILLER	2012/12/05		
			MATERIAL NO.	DOCUMENT NO.		
			SEE CHART	SD-75830-310		
						SHEET NO.
						1 OF 1