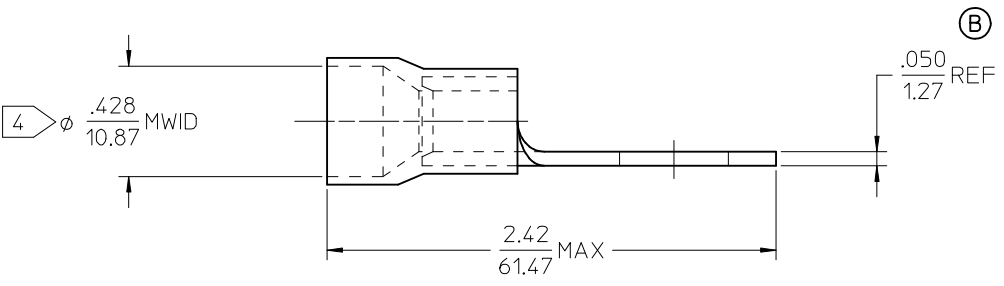
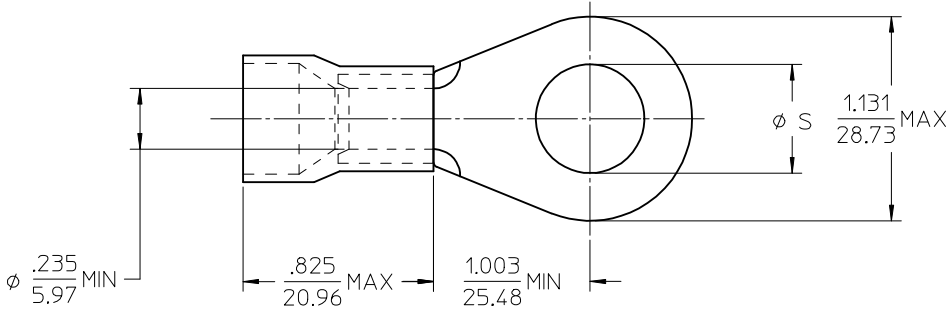


10	9	8	7	6	5	4	3	2	1
MATERIAL NO.	ENG. NO.	STUD SIZE	$\phi S \pm .005/0.13$						
190670066	E-959-34	3/4	.781/19.84						



- NOTE(S):
1. TERMINAL MATERIAL: COPPER ALLOY.
 2. TERMINAL FINISH: ELECTRO TIN PLATE.
 3. INSULATION MATERIAL: NYLON, COLOR CODED BLUE.
- 4 MWID = MAXIMUM WIRE INSULATION DIAMETER.
5. ALL COMPONENTS ARE ROHS COMPLIANT.

REDWN & RDC MATL THKNS EC NO: B DRW: EPHILE CHKD: JMACNEIL APPR:	DESCRIPTION	QUALITY SYMBOLS	GENERAL TOLERANCES (UNLESS SPECIFIED)		DIMENSION STYLE		SCALE	DESIGN UNITS	THIRD ANGLE PROJECTION		
	REV			mm	INCH	IN/MM	4:1	INCH			
			$\blacktriangledown=0$	4 PLACES	\pm ---	\pm ---	DRAWN BY	DATE	TITLE		
			$\nabla=0$	3 PLACES	\pm ---	\pm ---	EHILE	2006/10/16	RING TONGUE TERMINAL, FUNNEL ENTRY, 6 AWG, NYLAKRIMP		
				2 PLACES	\pm ---	\pm ---	CHECKED BY	DATE	MOLEX INCORPORATED DOCUMENT NO. SD-19067-015 SHEET NO. 1 OF 1		
			1 PLACE	\pm ---	\pm ---	JMACNEIL	2006/10/16				
			ANGULAR \pm ---		\circ	APPROVED BY	DATE				
			DRAFT WHERE APPLICABLE MUST REMAIN WITHIN DIMENSIONS			JMACNEIL	2006/10/16				
						MATERIAL NO.	SEE CHART				
						SIZE	B				