

**Ratings**

Temperature: -40 ~ 70 °C  
Voltage: 150 V

**Conductor**

Gauge: 26 AWG, 0.13 mm<sup>2</sup>  
Material: tinned copper strands  
Stranding: Ø0.08 x 26  
Resistance at 20 °C: 150 Ω/km max

**Insulator**

Material: HDPE  
Color: black, white  
Outer diameter: Ø0.9 ±0.10 mm  
Nominal thickness: 0.20 mm  
Resistance at 20 °C: 1000 MΩ/km min

**Shield**

Type: spiral  
Material: tinned copper strands  
Strand size: Ø0.08 mm  
Coverage: 90 % minimum

**Outer jacket**

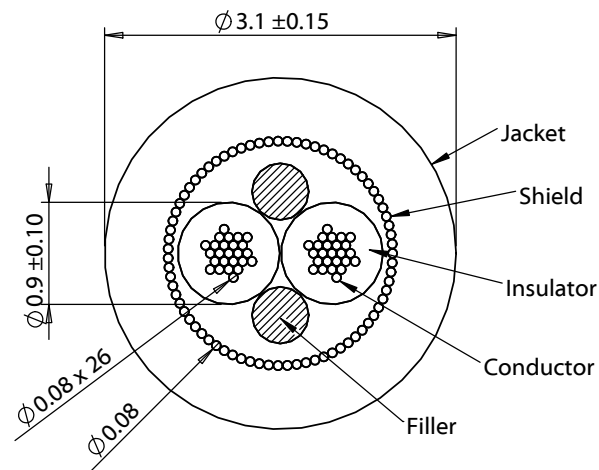
Material: TPU, 70 °C  
Color: black  
Nominal thickness: 0.50 mm  
Diameter: Ø3.1 ±0.15 mm

**Filler**

Material: aramid fiber

**Tests**

Tensile strength: 35.7 kgf  
Dielectric test: 1500 V dc for 1 minute without breakdown  
Bend test at 200 g, ±90 °, 30 cycles /min: 15,000 cycle minimum



REVISION	DATE	DESCRIPTION
A	9/30/2015	Initial release
A1	1/13/2016	Updated notes, corrected tolerances
A2	1/17/2019	Changed filler material to generic name

PREPARED:

**AG**  
Digitally signed by AG  
Date: 2015.01.18 11:00:21 -0800

VERIFIED:

**GL**  
Digitally signed by GL  
Date: 2019.01.28  
11:12:04 -08'00'

DIMENSIONS ARE IN MILLIMETERS

TOLERANCES:  
X: ± 0.5 mm  
X.X: ± 0.3 mm  
X.XX: ± 0.05 mm

NOTES

RoHS and REACH compliant

Jacket meets ISO 10993 Biological Compatibility

Phthalate and halogen free

Function test: no open, no short, no intermittent

DESCRIPTION:

Wire, 2C TS, 26 AWG, 150V, 70C, 3.1 mm, spiral shield, TPU

# TENSILITY

20802 Sockeye Place #130  
Bend, OR 97701 USA  
tel 541.323.3228 fax 541.323.4202  
800 877.670.7118 www.tensility.com

SIZE	PART NUMBER
A	30-00656

SCALE: 1:1

SHEET 1 OF 1