

BOX1-P14

Handheld plastic enclosure for up to two Size1 PCBs



AVAILABLE STYLES:

GREY

PART#: BOX1-P14-GY

BLACK

PART#: BOX1-P14-BK

TRANSPARENT RED

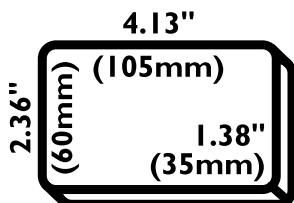
PART#: BOX1-P14-RT

TRANSPARENT BLUE

PART#: BOX1-P14-BT

BOX1-P14 Features:

- Electronic instrument enclosure fits up to two Size1 PCBs.
- ABS plastic construction with removable end panels.
- Recessed top for adhesive overlay or membrane keypad.
- Smooth top for clear display readability with transparent enclosures.
- Textured finish hides fingerprints.
- Self-tapping screws provided for securing enclosure.

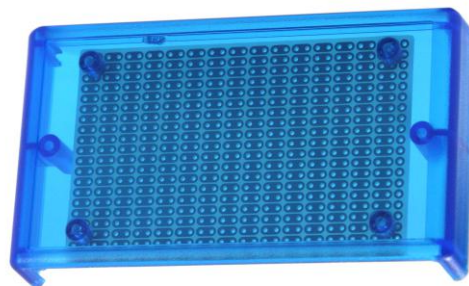


SIZE 1



BOX1-P14 Details:

The BOX1-P14 is a handheld electronic instrument enclosure constructed from ABS plastic. Up to two Size1 PCBs (80 x 50mm / 3.15 x 1.97") can be installed with the built-in PCB standoffs, one on the inside top and one on the inside bottom.



The plastic enclosure is easy to drill and features a textured finish that hides fingerprints and provides additional grip. Two removable end panels can be drilled for connectors.

The enclosure's top panel features a recessed top for an adhesive overlay or membrane keypad. The recessed top on the transparent red and blue enclosure have a clear smooth finish designed for easy viewing of displays.

Lap joint construction provides an IP54 protection rating against dust accumulation and splashing water. Self-tapping screws provided to close the enclosure. Black and transparent blue enclosures come with black screws while grey and transparent red come with nickel finish screws. PCB standoffs use standard 4-40 0.25" machine screws (not provided).

Color Options:



Black
(BOX1-P14-BK)



Grey
(BOX1-P14-GY)

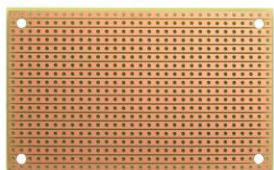


Transparent Red
(BOX1-P14-RT)

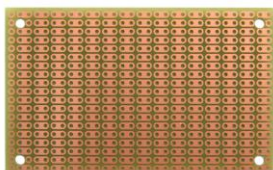


Transparent Blue
(BOX1-P14-BT)

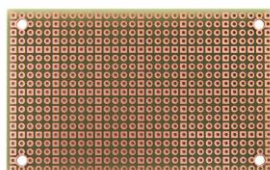
Compatible BusBoard PCBs:



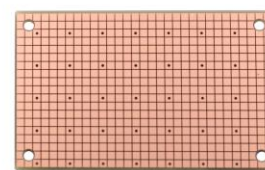
ST1



PR2H1



PAD1

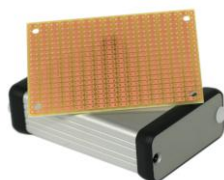


SP1-50x50-G
SP1-100x100-G
SP1-200x1000-G

Related Products:



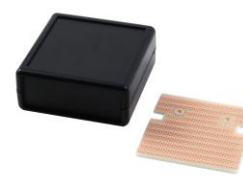
BOX2-P14



KBOX1-AC-PR2H

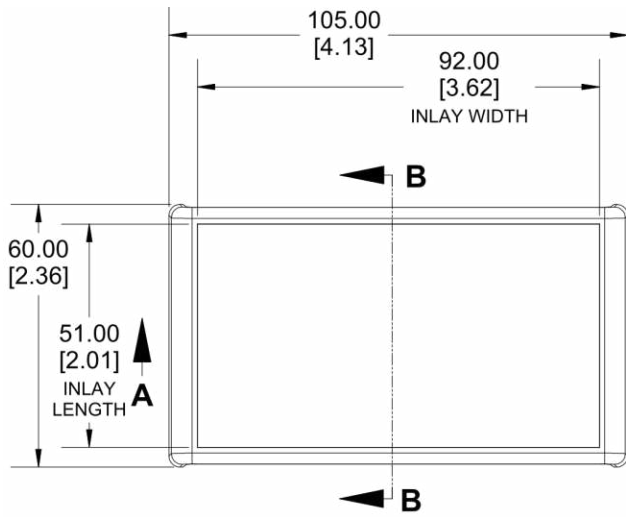


KIT-1593L-BK

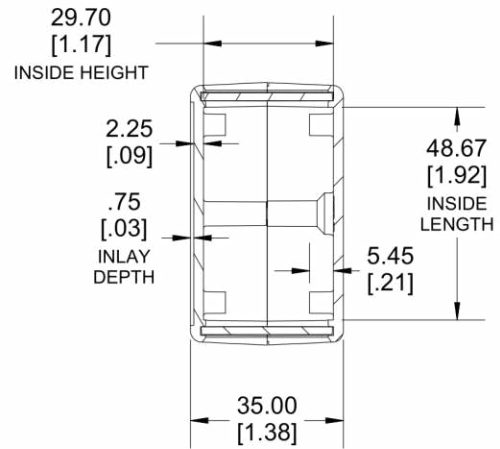


KIT-1593K-BK

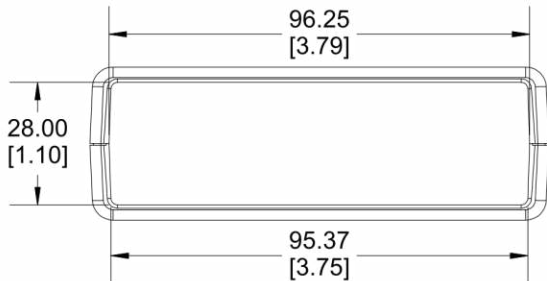
BOX1-P14 Measurements:



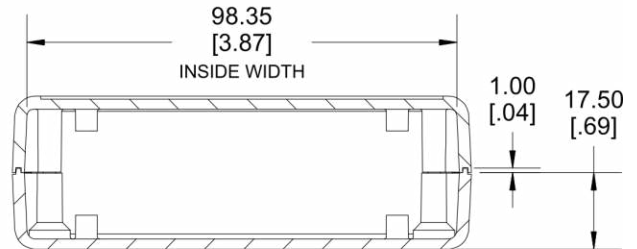
TOP VIEW



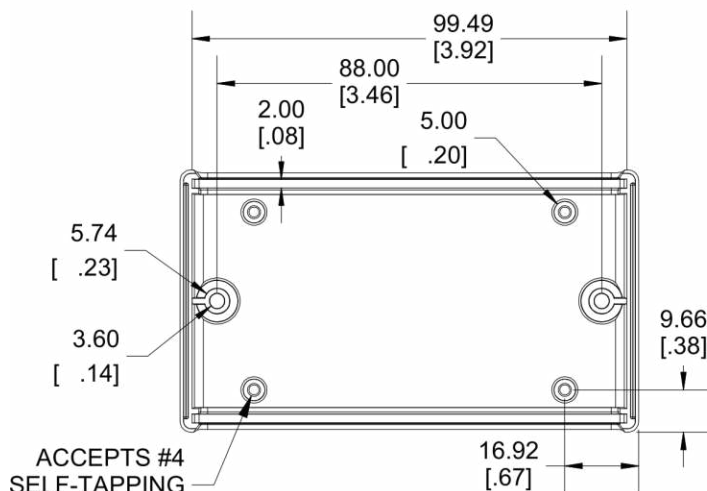
SECTION B-B



END VIEW



SECTION A-A



INSIDE BOTTOM