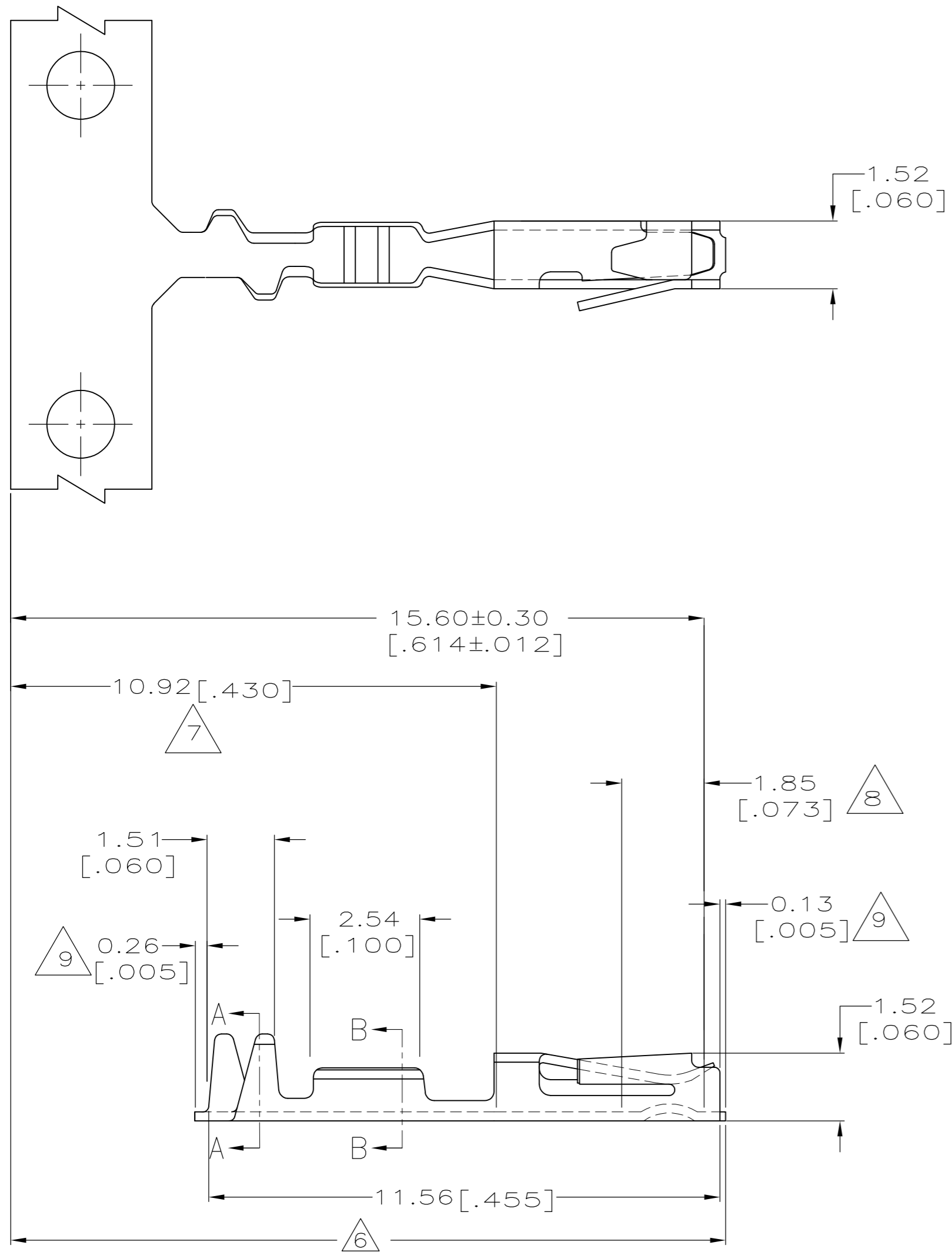
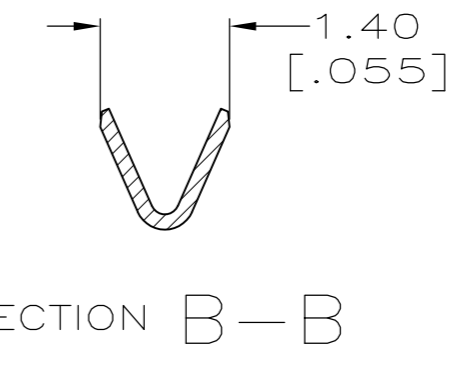
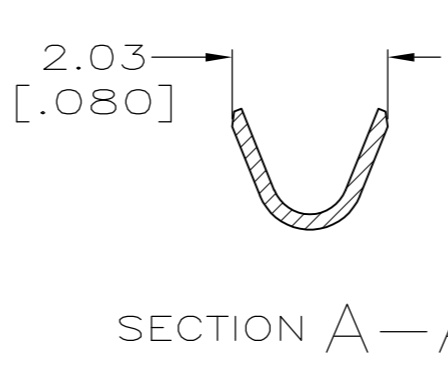


THIS DRAWING IS UNPUBLISHED. RELEASED FOR PUBLICATION
 © COPYRIGHT BY TYCO ELECTRONICS CORPORATION. ALL RIGHTS RESERVED.

LOC	DIST	REVISIONS			
P	LTR	DESCRIPTION	DATE	DWN	APVD
	A	REV PER EC 0S12-0647-04	09MAY05	JA	SF
	A1	REVISED PER ECO-09-024927	10NOV09	KK	AEG



1. WIRE RANGE 28-32 AWG.
2. INSULATION RANGE 0.64-1.37 [.025-.054] DIA.
3. 0.00254 [.000100] MIN MATTE TIN OVER 0.000762 [.000030] MIN NICKEL.
4. PREPLATED 0.00127 [.000050] MIN MATTE TIN IN ZONES I & II, 0.000381 [.000015] MIN GOLD OVER 0.000762 [.000030] MIN NICKEL INLAY IN ZONE III.
5. PHOSPHOR BRONZE.
6. ZONE I (OUTSIDE SURFACES).
7. ZONE II (INSIDE SURFACES).
8. ZONE III (INSIDE SURFACES).
9. MAXIMUM CUTOFF.
10. OBSOLETE PARTS: OBSOLETE CIS STREAMLINING PER D.RENAUD/D.SINISI



OBSOLETE	4	5530901-7	5530901-6
	3	5530901-5	5530901-4
		FINISH	LOOSE PIECE PART NO
			STRIP PART NO

THIS DRAWING IS A CONTROLLED DOCUMENT.		DWN J. ALCORTA - DOCK5 09MAY05	Tyco Electronics Corporation Harrisburg, PA 17105-3608	
DIMENSIONS: mm[inch]		CHK A. FRANTUM 09MAY05	NAME S. FLICKINGER 09MAY05	
TOLERANCES UNLESS OTHERWISE SPECIFIED:		APVD S. FLICKINGER 09MAY05	PRODUCT SPEC 108-25031	
0 PLC ± -		APPLICATION SPEC 114-25021	SIZE A2	CAGE CODE 00779
1 PLC ± -		WEIGHT -	DRAWING NO C=5530901	RESTRICTED TO -
2 PLC ± -		CUSTOMER DRAWING	SCALE 4:1	SHEET 1 OF 1
3 PLC ± 0.13[.005]			REV A1	
4 PLC ± -				
ANGLES ± -				
FINISH				
3 4				

5530901

A