

TTC-6P-3-HF-24DC-I-P - Surge protection plug



2907847

<https://www.phoenixcontact.com/pc/products/2907847>

Please be informed that the data shown in this PDF document is generated from our online catalog. Please find the complete data in the user documentation. Our general terms of use for downloads are valid.



Surge protection plug with integrated status indicator on the module for three signal wires. For HF applications. Nominal voltage: 24 V DC

Your advantages

- Space-saving and cost-saving with a narrow overall width of just 6 mm
- Continuous monitoring of protective devices, plus mechanical status indicator with optional remote signaling
- Finding the right product for all possible requirements in MCR applications is easy, thanks to the complete range of products with customized features
- Easy testing and documentation with CHECKMASTER 2 with pluggable protective modules
- The signal is not influenced during maintenance work, thanks to the impedance-neutral insertion and removal of protective plugs

Commercial data

Item number	2907847
Packing unit	1 pc
Minimum order quantity	1 pc
Product key	CL216Z
Catalog page	Page 171 (C-4-2019)
GTIN	4055626634753
Weight per piece (including packing)	25.7 g
Weight per piece (excluding packing)	9.3 g
Customs tariff number	85363010
Country of origin	DE

TTC-6P-3-HF-24DC-I-P - Surge protection plug

2907847

<https://www.phoenixcontact.com/pc/products/2907847>

Technical data

Product properties

Type	Male
Product type	Replacement plug
Product family	TERMITRAB complete

Insulation characteristics

Overvoltage category	III
Pollution degree	2

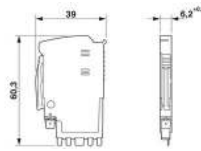
Electrical properties

Nominal voltage U_N	24 V DC
-----------------------	---------

Connection data

Connection method	pluggable
-------------------	-----------

Dimensions

Dimensional drawing	
Width	6.2 mm +0.1 mm
Height	39 mm
Depth	60.3 mm

Material specifications

Flammability rating according to UL 94	V-0
Insulating material	PBT
Housing material	PBT

Protective circuit

Maximum continuous voltage U_C	30 V DC
Rated current	600 mA (56 °C)

Environmental and real-life conditions

Ambient conditions

Degree of protection	IP20
Ambient temperature (operation)	-40 °C ... 85 °C
Ambient temperature (storage/transport)	-40 °C ... 85 °C
Altitude	≤ 4000 m (amsl)
Permissible humidity (operation)	5 % ... 95 %

TTC-6P-3-HF-24DC-I-P - Surge protection plug



2907847

<https://www.phoenixcontact.com/pc/products/2907847>

Standards and regulations

EN 61643-21

Standards/specifications	EN 61643-21
Note	2001 + A1:2009 + A2:2013
Standards/specifications	IEC 61643-21
Note	2000 + corrigendum 2001 + A1:2008, modified + A2:2012

Mounting

Mounting type	on base element
---------------	-----------------

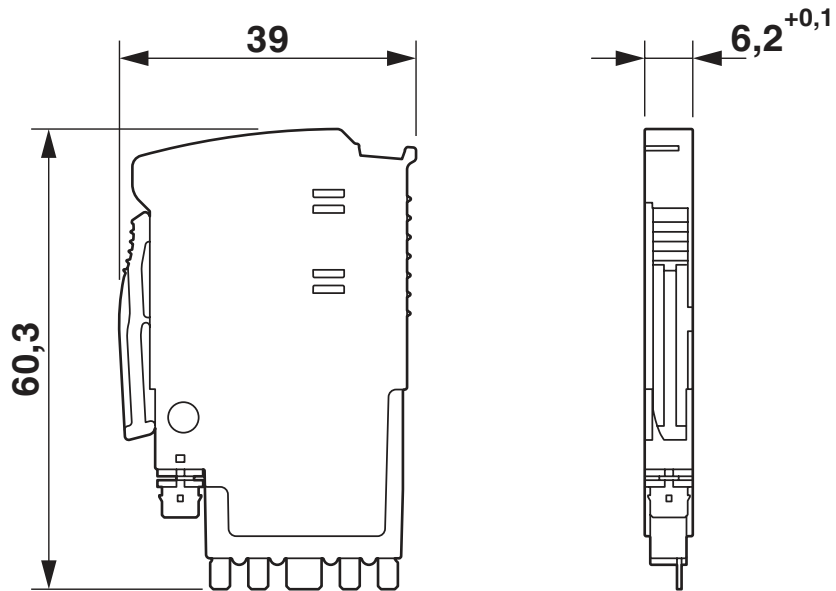
TTC-6P-3-HF-24DC-I-P - Surge protection plug

2907847

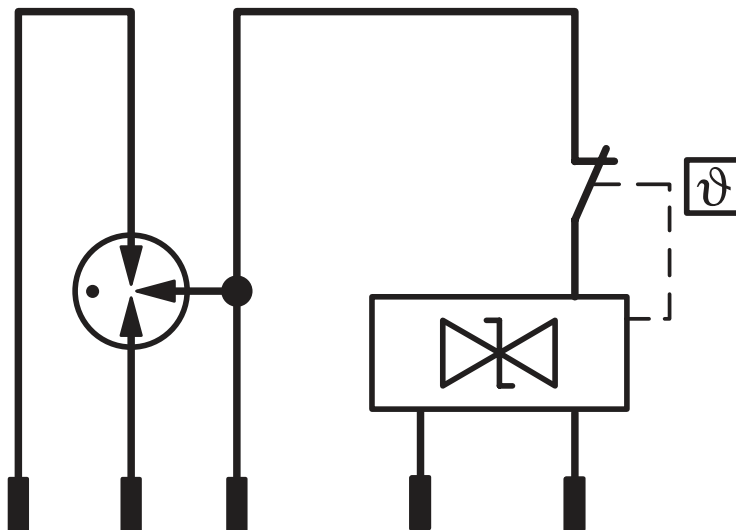
<https://www.phoenixcontact.com/pc/products/2907847>

Drawings

Dimensional drawing



Circuit diagram



TTC-6P-3-HF-24DC-I-P - Surge protection plug



2907847


<https://www.phoenixcontact.com/pc/products/2907847>

Approvals

To download certificates, visit the product detail page: <https://www.phoenixcontact.com/pc/products/2907847>


 **CSA**
Approval ID: 70136717


 **DNV GL**
Approval ID: TAE000027G


 **UL Listed**
Approval ID: FILE E 138168

 **CSAus**
Approval ID: 70136717

UAE-RoHS
Approval ID: 22-06-16781

 **IECEX**
Approval ID: IECEX BVS 21.0057X

 **ATEX**
Approval ID: BVS 21 ATEX E 052 X

 **CCC**
Approval ID: 2022122304116080

cCSAus

TTC-6P-3-HF-24DC-I-P - Surge protection plug



2907847

<https://www.phoenixcontact.com/pc/products/2907847>

Classifications

ECLASS

ECLASS-11.0	27130890
ECLASS-13.0	27171503

ETIM

ETIM 8.0	EC002496
----------	----------

UNSPSC

UNSPSC 21.0	39121600
-------------	----------

TTC-6P-3-HF-24DC-I-P - Surge protection plug



2907847

<https://www.phoenixcontact.com/pc/products/2907847>

Environmental product compliance

REACH SVHC	Lead 7439-92-1
China RoHS	Environmentally Friendly Use Period = 50 years
	For information on hazardous substances, refer to the manufacturer's declaration available under "Downloads"

TTC-6P-3-HF-24DC-I-P - Surge protection plug



2907847

<https://www.phoenixcontact.com/pc/products/2907847>

Accessories

ZBF 6 CUS - Zack Marker strip, flat

0825027

<https://www.phoenixcontact.com/pc/products/0825027>



Zack Marker strip, flat, Strip, can be ordered: Strip, white, labeled according to customer specifications, mounting type: snap into flat marker groove, for terminal block width: 6.2 mm, lettering field size: 5.15 x 6.15 mm, Number of individual labels: 10

ZBF 6:UNBEDRUCKT - Zack Marker strip, flat

0808710

<https://www.phoenixcontact.com/pc/products/0808710>



Zack Marker strip, flat, Strip, white, unlabeled, can be labeled with: PLOTMARK, CMS-P1-PLOTTER, mounting type: snapped, for terminal block width: 6.2 mm, lettering field size: 5.15 x 6.15 mm, Number of individual labels: 10

TTC-6P-3-HF-24DC-I-P - Surge protection plug

2907847

<https://www.phoenixcontact.com/pc/products/2907847>

ZBF 6/WH-100:UNBEDRUCKT - Zack Marker strip, flat

0808736

<https://www.phoenixcontact.com/pc/products/0808736>



Zack Marker strip, flat, Strip, white, unlabeled, can be labeled with: PLOTMARK, CMS-P1-PLOTTER, mounting type: snapped, for terminal block width: 6.2 mm, lettering field size: 5.15 x 6.15 mm, Number of individual labels: 1000

ZBF 6,QR:FORTL.ZAHLEN - Zack Marker strip, flat

0808765

<https://www.phoenixcontact.com/pc/products/0808765>



Zack Marker strip, flat, Strip, white, labeled, Printed vertically: consecutive numbers 1 ... 10, 11 ... 20, etc. up to 91 ... 100, mounting type: snapped, for terminal block width: 6.2 mm, lettering field size: 5.15 x 6.15 mm, Number of individual labels: 10

TTC-6P-3-HF-24DC-I-P - Surge protection plug

2907847

<https://www.phoenixcontact.com/pc/products/2907847>



X-PEN 0,35 - Marker pen

0811228

<https://www.phoenixcontact.com/pc/products/0811228>



Marker pen without ink cartridge, for manual labeling of markers, labeling extremely wipe-proof, line thickness 0.35 mm

Phoenix Contact 2023 © - all rights reserved

<https://www.phoenixcontact.com>

PHOENIX CONTACT GmbH & Co. KG

Flachsmarktstraße 8

D-32825 Blomberg

+49 (0) 5235-3 00

info@phoenixcontact.com