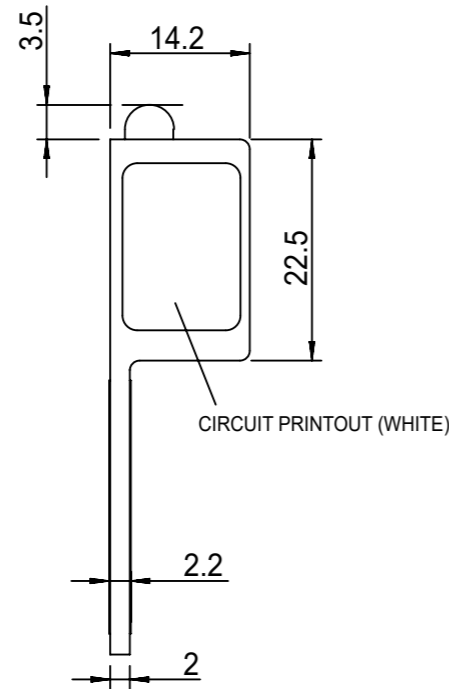
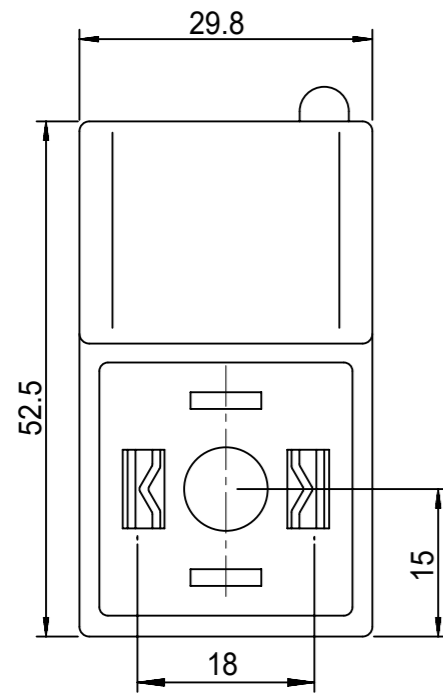
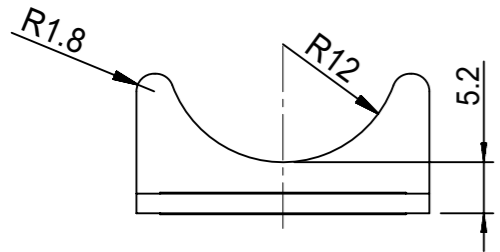


A 0 7 X X X

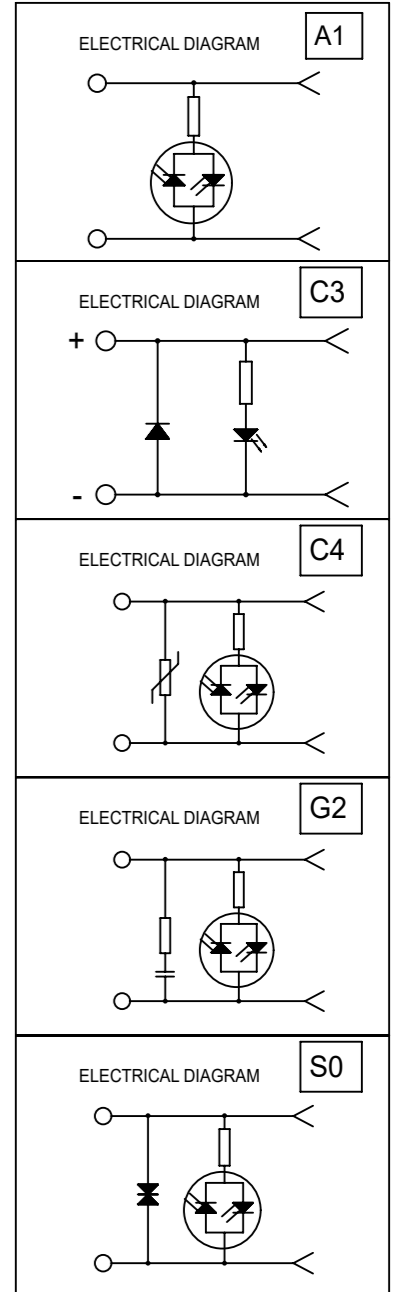
INTERNAL CIRCUIT
WIRING CONFIGURATION

VOLTAGE AND LED COLOUR:

1= 12V	} RED LED	A= 12V	} GREEN LED	G= 12V	} YELLOW LED
2= 24V		B= 24V		H= 24V	
3= 48V		C= 48V		K= 48V	
4= 115V		D= 115V		L= 115V	
5= 230V		E= 230V		M= 230V	



WIRING CONFIGURATION



MOLEX PN	MPM PN
1210010257	A07C42
1210010262	A07C4H

THIS DRAWING CONTAINS INFORMATION THAT IS PROPRIETARY TO MOLEX ELECTRONIC TECHNOLOGIES, LLC AND SHOULD NOT BE USED WITHOUT WRITTEN PERMISSION

DIMENSION UNITS MM	SCALE NTS	CURRENT REV DESC: REMOVED OBSOLETE PART NUMBERS AS PER PCN#511691		molex		
GENERAL TOLERANCES (UNLESS SPECIFIED)		EC NO: 737858				
		DRWN: SANTHN		2023/02/08		
		CHK'D: GGA		2023/02/24		
		APPR: GGA		2023/02/24		
		INITIAL REVISION:		DOCUMENT NUMBER		
		DRWN: MLEVYTSKYY		A07XXX		
		APPR: MWOLSZCZAK		PSD 001 A1		
DRAFT WHERE APPLICABLE MUST REMAIN WITHIN DIMENSIONS		THIRD ANGLE PROJECTION	DRAWING	SERIES	MATERIAL NUMBER	CUSTOMER
			A3-SIZE	121001	SEE TABLE	GENERAL MARKET
				SHEET NUMBER	1 OF 1	

A07 - ADAPTOR FOR DIN A

A 0 7 X X X

INTERNAL CIRCUIT

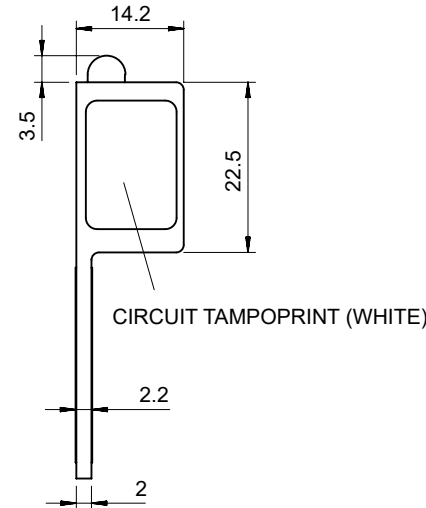
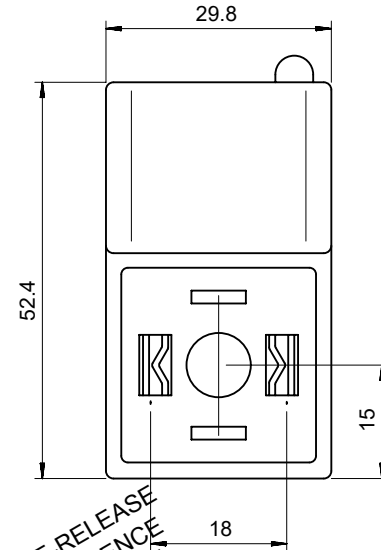
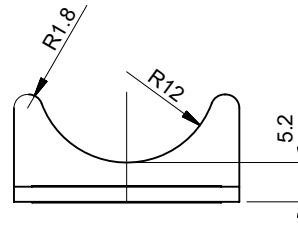
VOLTAGE AND LED COLOUR:

1= 12V	A= 12V	G= 12V
2= 24V	B= 24V	H= 24V
3= 48V	C= 48V	K= 48V
4= 115V	D= 115V	L= 115V
5= 230V	E= 230V	M= 230V

RED LED GREEN LED YELLOW LED

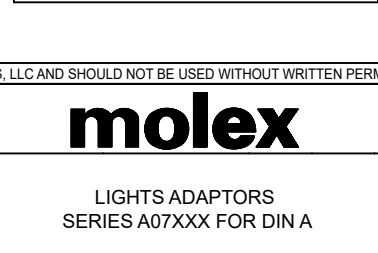
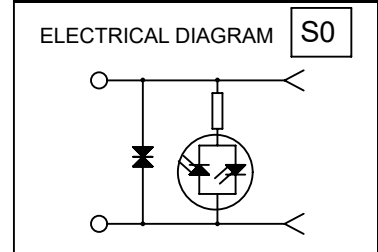
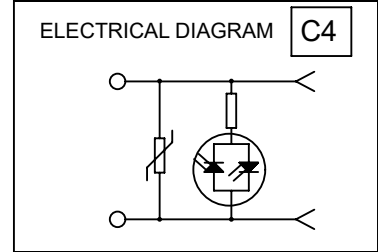
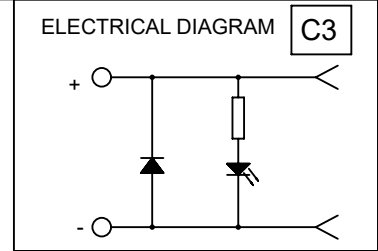
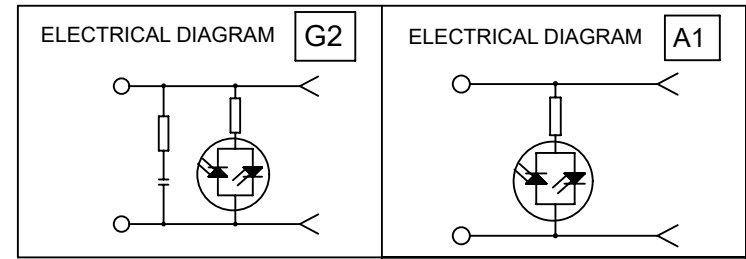
Chart 1

Engineering no.	SAP Part Number	Circuit type	LED Color
A07C42	1210010257	C4 24V	Red
A07C4H	1210010262	C4 24V	Yellow
A07C4L	1210010263	C4 115V	Yellow
A07C4M	1210010264	C4 230V	Yellow



PRE-RELEASE
REFERENCE
USE ONLY

Wiring configuration



THIS DRAWING CONTAINS INFORMATION THAT IS PROPRIETARY TO MOLEX ELECTRONIC TECHNOLOGIES, LLC AND SHOULD NOT BE USED WITHOUT WRITTEN PERMISSION

DIMENSION UNITS		SCALE		CURRENT REV DESC: REMOVED OBSOLETE PART NUMBER AS PER PCN#511691.			molex				
mm		NTS									
GENERAL TOLERANCES (UNLESS SPECIFIED)							LIGHTS ADAPTORS SERIES A07XXX FOR DIN A				
	MM	INCH									
4 PLACES	±	±	EC NO: 737858								
3 PLACES	±	±	DRWN: SANTHN 2023/02/10								
2 PLACES	±	±	CHK'D: GGA 2023/02/24								
1 PLACE	±	±	APPR: GGA 2023/02/24								
0 PLACES	±	±	INITIAL REVISION:				DOCUMENT NUMBER				
ANGULAR TOL		±	°	DRWN: JMARSZALEK 2013/02/11			SD-121001-007		DOC TYPE	DOC PART	REVISION
DRAFT WHERE APPLICABLE MUST REMAIN WITHIN DIMENSIONS		THIRD ANGLE PROJECTION		DRAWING	SERIES	MATERIAL NUMBER	CUSTOMER	SHEET NUMBER			
				A4-SIZE	121001	SEE CHART 1	GENERAL MARKET	1 OF 1			

DOCUMENT STATUS	P1	RELEASE DATE	2023/02/24	09:13:08
-----------------	----	--------------	------------	----------