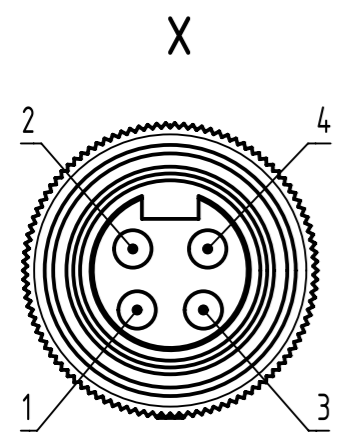
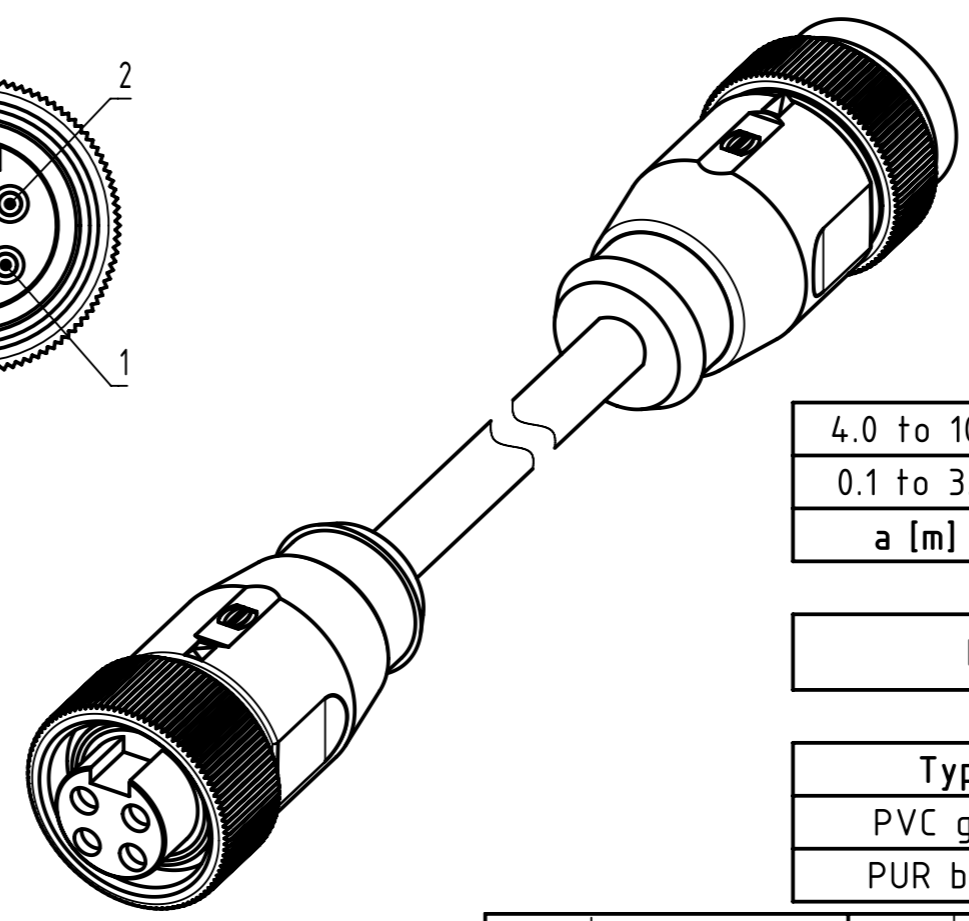
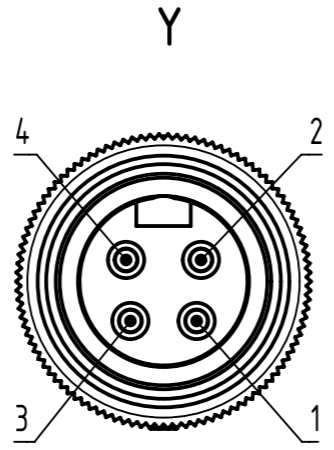


7/8" 4-poles, female straight connector

7/8" 4-poles, male straight connector



- Loading-Plan:
- 1 — brown — 1
 - 2 — white — 2
 - 3 — blue — 3
 - 4 — black — 4



- Protection level: IP67
 - Temperature range: -25°C ... +80°C

length in "1m" step	100	XXX=000
	99	XXX=990
	.	.
	.	.
length in "0.1m" step	12	XXX=120
	11	XXX=110
	10	XXX=100
	9.9	XXX=099
	9.8	XXX=098
	.	.
Step	0.4	XXX=004
	0.3	XXX=003
	0.2	XXX=002
	0.1	XXX=001
	a [m]	XXX

4.0 to 100	+1%
0.1 to 3.9	+0.04
a [m]	Tolerance

Part no.	213496974,XXX,XXX
----------	-------------------

Type of cable	XX
PVC grey, 4x1.5mm ²	XX=95
PUR black, 4x1.5mm ²	XX=96

	All rights reserved		Scale 1.5:1		Free size tol.		Ref.	
	Department EC PD - RO		Created by TAMAS	Inspected by AVRAM	Standardisation HOFFMANN	Date 2014-07-01	State Final Release	
HARTING Electronics GmbH		Title 7/8 Cable Assembly				Doc-Key / ECM-Nr. 100581015/UGD/009/A 50000076597		Page 1/1
D-32339 Espelkamp		Type TB	Number 213496974,XXX,XXX			Rev. A		