

**Ratings**

Voltage: 60 V  
 Current: 1 A  
 Waterproof: IP 67

**Operating Temperature Range**

-40 ~ 85 °C

**Materials**

- ① Insulator: Nylon 66 + 30% glass fiber, black
- ② Pin: brass, gold-flashing
- ③ Shell: brass, nickel plated

**Electrical Requirements**

Dielectric strength: 1 min @ 500 Vac  
 Insulation resistance: 10<sup>8</sup> Ω min  
 Contact resistance: 10 mΩ or less

**Mechanical Requirements**

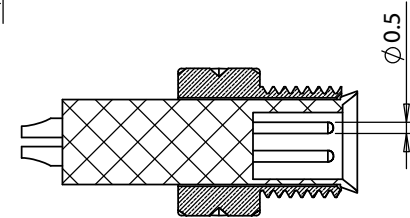
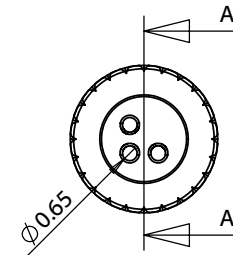
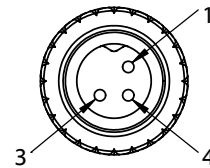
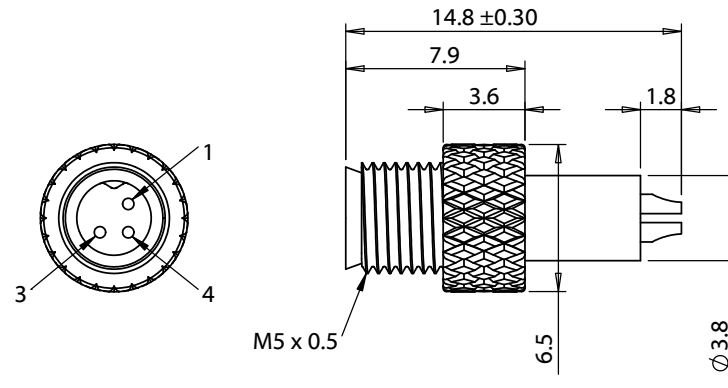
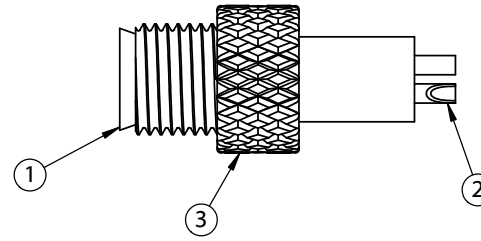
Insertion force: 0.82 kgf max  
 Withdrawal force: 0.62 kgf max  
 Life cycle: 500 mating cycles

**Environmental Requirements**

Cold test: -25 °C for 2 hours without deformation  
 Heat test: 85 °C for 16 hours while maintaining minimum 10<sup>8</sup> Ω insulation resistance

**Assembly info**

Wire gauge: 26 AWG max (Ø0.55 mm)



SECTION A-A

Revision:	Date:	Description:	Prepared:	Notes:	<h1>TENSILITY</h1> tel 1.541.323.3228 800 877.670.7118 fax 1.541.323.4202 web tensility.com
A	8/7/2018	Initial release	AG <small>Digitally signed by AG Date: 2018.12.10 15:24:27 -08'00'</small>	RoHS compliant	
A1	12/10/2018	Updated notes	Verified: AW <small>Digitally signed by AW Date: 2018.12.12 09:19:24 -08'00'</small>	Function test: no open, no short circuit, no intermittent	Size: Part number: A 50-00601
			Dimensions are in millimeters. Tolerances: X: ± 0.3 mm X.X: ± 0.1 mm X.XX: ± 0.05 mm	Description: Connector, 3 pin M5 plug, 5xL14.8mm, gold plated, molding style, solder cup, IP67	Scale: 3:1  Sheet 1 of 1