

ITEM	PART#	DESCRIPTION	QTY	UOM
A	39012086	8CKT MINI FIT JR HOUSING 555908P210	1	PC
B	39000095	MiniFit Term Crp Male C Bs Au 16awg	8	PC
C	--	PAPER PRINTED PAPER WHITE	1	PC

FROM	TO	DESCRIPTION	COLOR
A1	-	1X16AWG DISC PVC BK UL1015 HOOKUP	BLACK
A2	-	1X16AWG DISC PVC BK UL1015 HOOKUP	BLACK
A3	-	1X16AWG DISC PVC BK UL1015 HOOKUP	BLACK
A4	-	1X16AWG DISC PVC BK UL1015 HOOKUP	BLACK
A5	-	1X16AWG DISC PVC BK UL1015 HOOKUP	BLACK
A6	-	1X16AWG DISC PVC BK UL1015 HOOKUP	BLACK
A7	-	1X16AWG DISC PVC BK UL1015 HOOKUP	BLACK
A8	-	1X16AWG DISC PVC BK UL1015 HOOKUP	BLACK

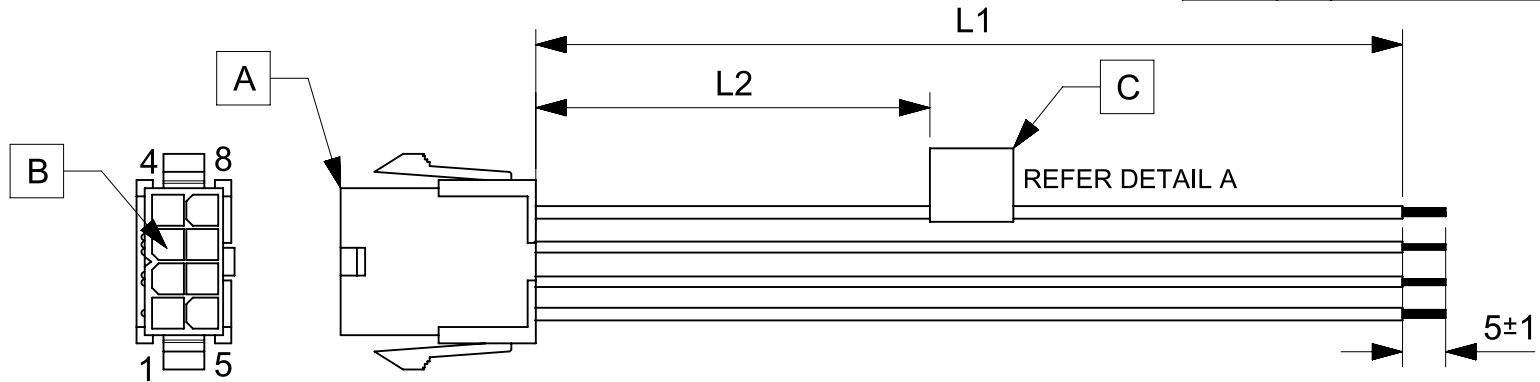


TABLE			
PART NUMBER	L1	L2	TITLE
2153282081	150±8	63 REF	MINIFIT JR DR P-S 8 CIRCUIT 150MM Au
2153282082	300±10	138 REF	MINIFIT JR DR P-S 8 CIRCUIT 300MM Au
2153282083	600±10	288 REF	MINIFIT JR DR P-S 8 CIRCUIT 600MM Au

- NOTES**
1. Connector view shown is from mating side.
  2. Free ends must be stripped, twisted & tinned. The length of tinning is 5±1mm. Tinning dia must be 1.8mm Max.
  3. Label text must be 2mm max. in height with Arial font.
  4. Label must be wrapped in Flag type on a single cable.

MOLEX P/N  
MOLEX  
BATCH WK/YR  
DETAIL A

REVISION			
DATE	REV	DESCRIPTION	CHANGER
2020/03/17	A	INITIAL RELEASE	ARAJU

FUNCTIONAL SYMBOLS $\frac{F}{A} = 0$ $\frac{F}{E} = 0$ $\frac{F}{P} = 0$ DIVISIONAL SYMBOLS	THIS DRAWING CONTAINS INFORMATION THAT IS PROPRIETARY TO MOLEX ELECTRONIC TECHNOLOGIES, LLC AND SHOULD NOT BE USED WITHOUT WRITTEN PERMISSION		DIMENSION UNITS: <b>mm</b> SCALE: <b>NTS</b>		CURRENT REV DESC:	
	GENERAL TOLERANCES (UNLESS SPECIFIED)		EC NO: 638379		DRWN: ARAJU    2020/03/17	
	ANGULAR TOL ± °		4 PLACES ±		CHK'D: RDESAI01    2020/05/28	
	3 PLACES ±		2 PLACES ±		APPR: RDESAI01    2020/05/28	
1 PLACE ±		0 PLACES ±		INITIAL REVISION:		
DRAFT WHERE APPLICABLE MUST REMAIN WITHIN DIMENSIONS		THIRD ANGLE PROJECTION		DRWN: ARAJU    2020/03/17		
WITHIN DIMENSIONS		DRAWING: <b>A4-SIZE</b>		APPR: RDESAI01    2020/05/28		
SERIES: <b>215328</b>		MATERIAL NUMBER: <b>SEE TABLE</b>		CUSTOMER: <b>GENERAL MARKET</b>		
SHEET NUMBER: <b>1 OF 1</b>		PRODUCT CUSTOMER DRAWING		DOCUMENT NUMBER: <b>2153282081</b>		
DOC TYPE: <b>PSD</b>		DOC PART: <b>000</b>		REVISION: <b>A</b>		