

2-160256-1 ✓ ACTIVE

FASTON | FASTON 250

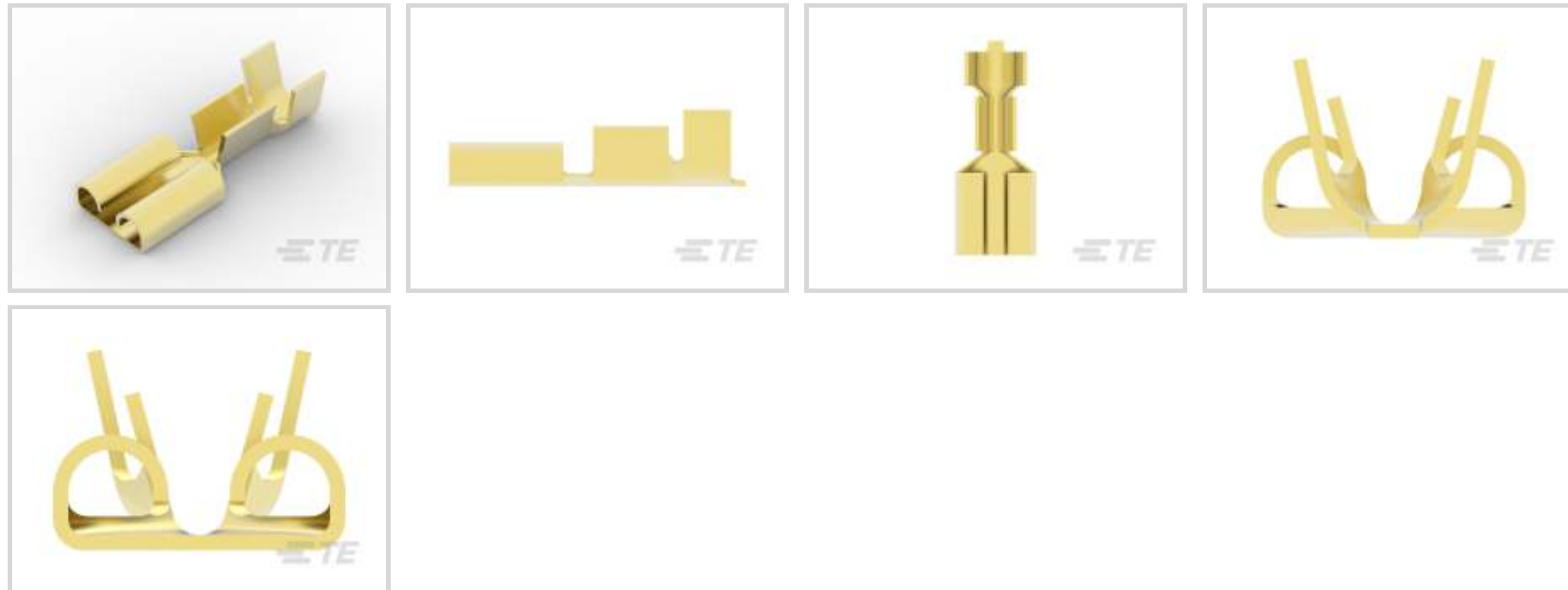
TE Internal #: 2-160256-1

Quick Disconnects, Receptacle, 17 – 14 AWG Wire Size, 1 – 2.5 mm² Wire Size, Mating Tab Width 6.35 mm [.25 in], Straight, Brass, FASTON 250

[View on TE.com >](#)



Terminals & Splices > Quick Disconnects



Quick Disconnect Terminal Type: **Receptacle**

Wire Size: 1 – 2.5 mm²

Mating Tab Width: 6.35 mm [.25 in]

Mating Tab Thickness: .81 mm [.032 in]

Features

Product Type Features

| | |
|-----------------|--------|
| Insertion Force | Normal |
|-----------------|--------|

Configuration Features

| | |
|-----------------------------------|---------------|
| Connection Capacity | Single |
| Compatible With Wire & Cable Type | Discrete Wire |

Contact Features

| | |
|--------------------------------|------------------|
| Quick Disconnect Terminal Type | Receptacle |
| Mating Tab Width | 6.35 mm [.25 in] |
| Mating Tab Thickness | .81 mm [.032 in] |
| Terminal Orientation | Straight |
| Contact Base Material | Brass |
| Terminal Plating Material | Unplated |
| Crimp Type | F-Crimp |
| Barrel Type | Open |

Termination Features



| | |
|-----------------------|--------------|
| Product Terminates To | Wire & Cable |
|-----------------------|--------------|

Mechanical Attachment

| | |
|------------------|-----------|
| Extraction Force | 80 Newton |
|------------------|-----------|

| | |
|-------------------------|------|
| Wire Insulation Support | With |
|-------------------------|------|

| | |
|-----------------------|--------|
| Mating Retention Type | Dimple |
|-----------------------|--------|

Dimensions

| | |
|-----------------------------|-----------------|
| Terminal Material Thickness | .41 mm[.016 in] |
|-----------------------------|-----------------|

| | |
|----------------|----------------|
| Product Length | 19 mm[.748 in] |
|----------------|----------------|

| | |
|--------------------------------------|----------------------------|
| Compatible Insulation Diameter Range | 3 – 4.3 mm[.118 – .169 in] |
|--------------------------------------|----------------------------|

| | |
|-----------|-------------------------|
| Wire Size | 1 – 2.5 mm ² |
|-----------|-------------------------|

Usage Conditions

| | |
|-------------------|-------------|
| Insulation Option | Uninsulated |
|-------------------|-------------|

| | |
|-----------------------------|----------------------------|
| Operating Temperature Range | -40 – 110 °C[-40 – 230 °F] |
|-----------------------------|----------------------------|

Industry Standards

| | |
|-----------------|---------|
| Agency/Standard | CSA, UL |
|-----------------|---------|

Packaging Features

| | |
|--------------------|------|
| Packaging Quantity | 7000 |
|--------------------|------|

| | |
|------------------|------------|
| Packaging Method | Strip/Reel |
|------------------|------------|

Other

| | |
|------|---------|
| Line | Premier |
|------|---------|

| | |
|-----------------------------|---|
| Terminals & Splices Comment | Versions according to DIN 46247, Part 3 |
|-----------------------------|---|

Product Compliance

[For compliance documentation, visit the product page on TE.com>](#)

| | |
|------------------------------|-----------|
| EU RoHS Directive 2011/65/EU | Compliant |
|------------------------------|-----------|

| | |
|-----------------------------|-----------|
| EU ELV Directive 2000/53/EC | Compliant |
|-----------------------------|-----------|

| | |
|---|---|
| China RoHS 2 Directive MIIT Order No 32, 2016 | No Restricted Materials Above Threshold |
|---|---|

| | |
|--|--|
| EU REACH Regulation (EC) No. 1907/2006 | Current ECHA Candidate List: JUNE 2023 (235) Candidate List Declared Against: JAN 2023 (233) Does not contain REACH SVHC |
|--|--|

| | |
|-----------------|--|
| Halogen Content | Low Halogen - Br, Cl, F, I < 900 ppm per homogenous material. Also BFR/CFR/PVC |
|-----------------|--|

Free

Solder Process Capability

Not applicable for solder process capability

Product Compliance Disclaimer

This information is provided based on reasonable inquiry of our suppliers and represents our current actual knowledge based on the information they provided. This information is subject to change. The part numbers that TE has identified as EU RoHS compliant have a maximum concentration of 0.1% by weight in homogenous materials for lead, hexavalent chromium, mercury, PBB, PBDE, DBP, BBP, DEHP, DIBP, and 0.01% for cadmium, or qualify for an exemption to these limits as defined in the Annexes of Directive 2011/65/EU (RoHS2). Finished electrical and electronic equipment products will be CE marked as required by Directive 2011/65/EU. Components may not be CE marked. Additionally, the part numbers that TE has identified as EU ELV compliant have a maximum concentration of 0.1% by weight in homogenous materials for lead, hexavalent chromium, and mercury, and 0.01% for cadmium, or qualify for an exemption to these limits as defined in the Annexes of Directive 2000/53/EC (ELV). Regarding the REACH Regulation, the information TE provides on SVHC in articles for this part number is based on the latest European Chemicals Agency (ECHA) 'Guidance on requirements for substances in articles' posted at this URL: <https://echa.europa.eu/guidance-documents/guidance-on-reach>

Compatible Parts



TE Part # 63648-1
250 FASTON FLAG REC 20-14 AWG BR



TE Part # 180397-1
250 FASTON,FLAG,REC.,17-14 AWG, BR



TE Part # 151321-1
250 FASTON,FLAG,P-BACK REC.,18-14 AWG,BR



TE Part # 2-2150234-1
OCEAN_2.0_APPLICATIONER-E-110F180F



TE Part # 2-2150234-2
OCEAN_2.0_APPLICATIONER-E-110F180F



TE Part # 2150234-1
OCEAN_2.0_APPLICATIONER-E-110F180F



TE Part # 2150234-2
OCEAN_2.0_APPLICATIONER-E-110F180F



TE Part # 7-2150234-1
OCEAN_2.0_APPLICATIONER-E-110F180F



TE Part # 7-2150234-2
OCEAN_2.0_APPLICATIONER-E-110F180F



KIT
REPRESENTATION ONLY
TE Part # 7-2150234-7
OCEAN_2.0_SPARE_PART_KIT-110F180F

Also in the Series | **FASTON 250**



Compression Connectors(4)



Crimp Terminal Housings(142)



Insertion & Extraction Tools(6)



Magnet Wire Terminals(1)



PCB Terminals(135)



Quick Disconnects(445)



Splices(4)

Customers Also Bought



TE Part #NB-PTCO-050
Pt1000, 1.2x4.0, Class A,
PTFM102A1G0



TE Part #T4032014031-000
M8.MLE.PNLFRONT.3POS.STR



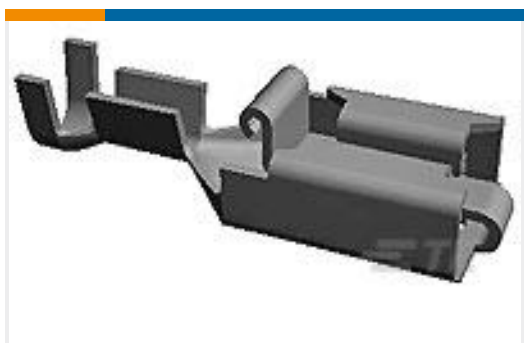
TE Part #1-480698-1
02P UMNL PLUG HSG BRN



TE Part #1-480711-9
15P UMNL CAP HSG BLK



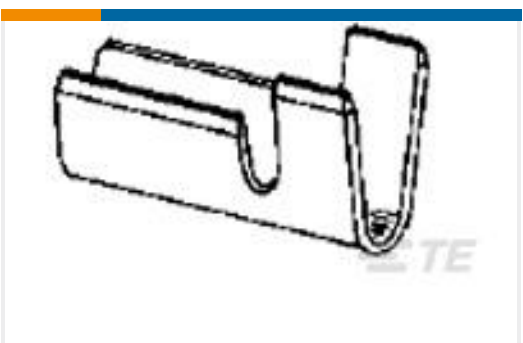
TE Part #1-480699-1
02P UMNL CAP HSG BRN



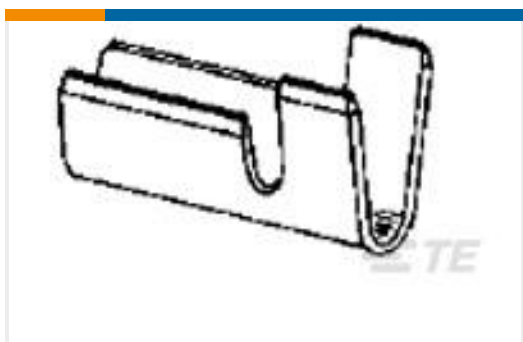
TE Part #928960-7
PL 250 REC TERMINAL 11-10 AWG
PTPB



TE Part #1-480699-5
02P UMNL CAP HSG GRN



TE Part #925553-1
AM WIRE PIN 17-13 .013 BR



TE Part #926867-2
AM WIRE PIN 13-10 .013 PTPB



TE Part #1586055-3
VAL-U-LOK SKT PHBZ SN 16AWG

Documents



Product Drawings

[250 FASTON,REC.,17-14 AWG,BR](#)

English

CAD Files

[3D PDF](#)

3D

Customer View Model

[ENG_CVM_CVM_2-160256-1_CV_c-2-160256-1-cv.2d_dxf.zip](#)

English

Customer View Model

[ENG_CVM_CVM_2-160256-1_CV_c-2-160256-1-cv.3d_igs.zip](#)

English

Customer View Model

[ENG_CVM_CVM_2-160256-1_CV_c-2-160256-1-cv.3d_stp.zip](#)

English

By downloading the CAD file I accept and agree to the [Terms and Conditions](#) of use.

Product Specifications

[Application Specification](#)

English

Product Environmental Compliance

[TE Material Declaration](#)

English

Agency Approvals

[UL Report](#)

English