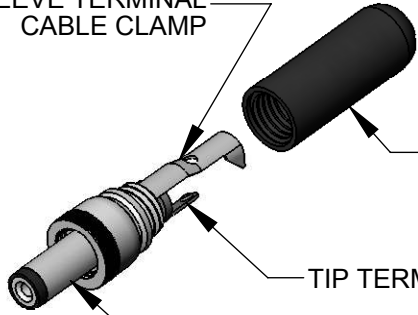


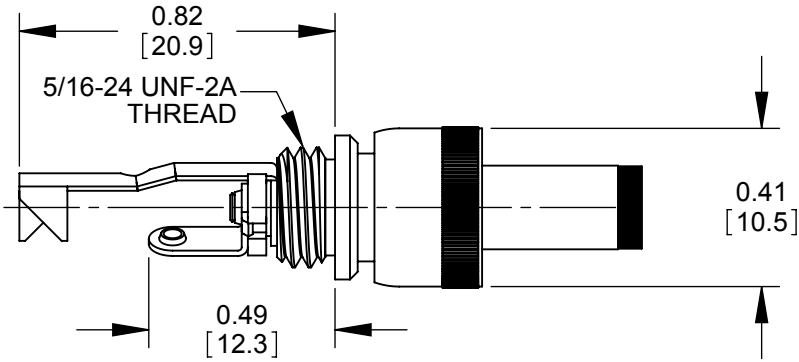
SLEEVE TERMINAL
CABLE CLAMP



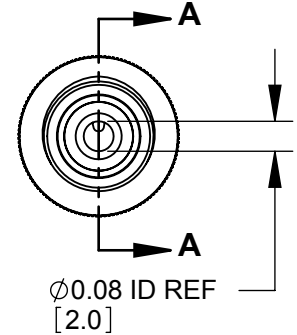
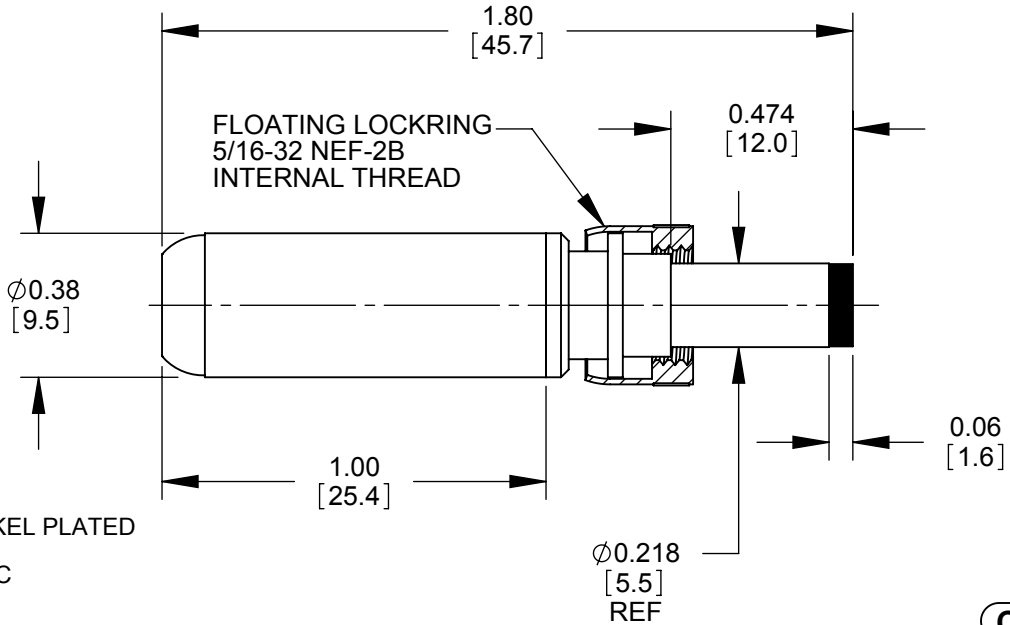
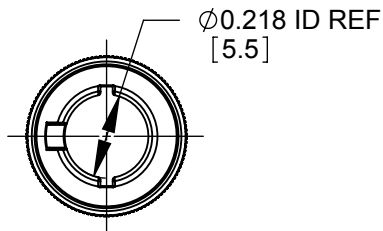
HANDLE
SHIPPED
UNASSEMBLED

TIP TERMINAL

COUPLING RING



PART NUMBER	HANDLE COLOR
S761K	BLACK
S766K	RED



NOTES:

- MATERIALS:
CONDUCTORS, LOCKRING - BRASS, NICKEL PLATED
TERMINALS - BRASS, TIN PLATED
INSULATORS, HANDLE - THERMOPLASTIC
- THIS PRODUCT IS RoHS COMPLIANT.

CUSTOMER DRAWING

REV	ECO NUMBER	DATE	BY	APVD
C	25989	11-13-08	JEB	TJK
REVISIONS				

UNLESS OTHERWISE SPECIFIED

1. ALL DIMENSIONS IN INCHES
- TWO PLACE DECIMALS ±0.02
- THREE PLACE DECIMALS ±0.005

DO NOT SCALE DRAWING

THIS DRAWING DESCRIBES A DESIGN CONSIDERED PROPRIETARY IN NATURE, DEVELOPED AND MANUFACTURED BY SWITCHCRAFT INC. AND IS RELEASED ON A CONFIDENTIAL BASIS FOR IDENTIFICATION PURPOSES ONLY.				
SIZE *	WIDTH *	MULT *	LBS/M *	TEMPER *
FINISH *		MATERIAL *		
SPEC No. *		SPEC No. *		
FIRST USED ON *		SCALE 2:1		
DATE DRAWN	BY	CHKD	APVD	
2-18-94	ES	JLD 2-22-94	GHJ 2-22-94	
NAME Ø 0.08 [2.0]mm x 0.474 LONG		PART No.		
POWER PLUG W/LOCKRING, RoHS		S761K-S766K		
SHEET 1 OF 1				REV C

SolidWorks CAD File

