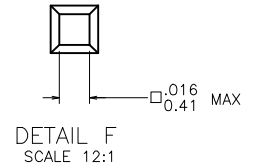
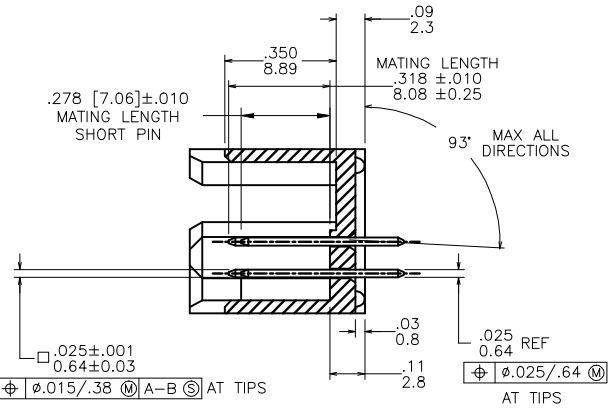
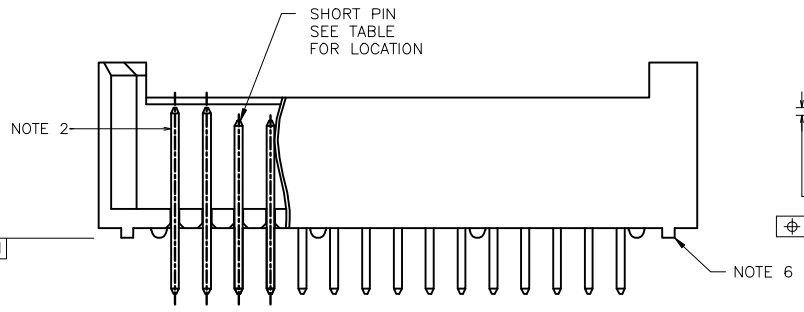
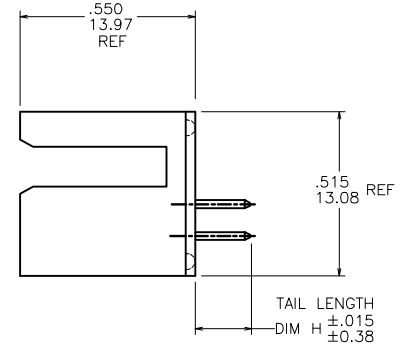
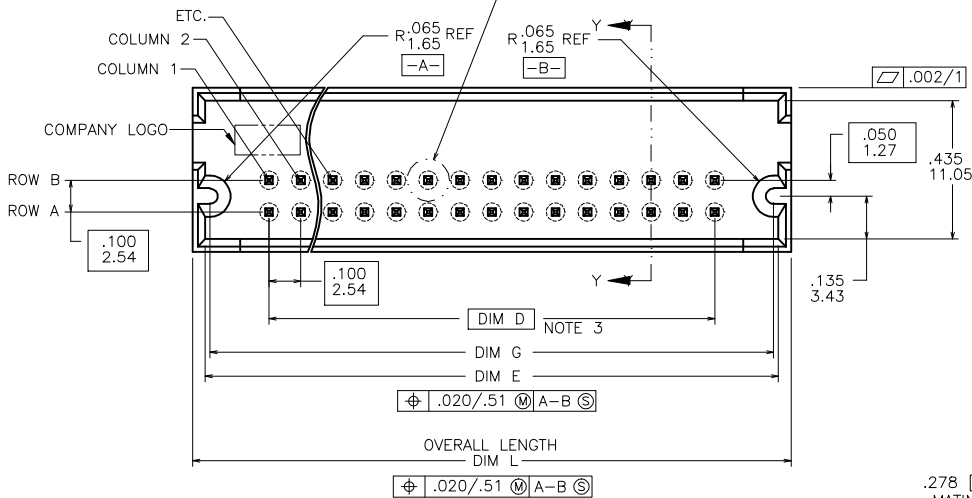


PRODUCT NUMBER  
SEE TABLE



mat'l. code		surface ISO 1302		tolerance ISO 406 ISO 1101		projection INCH/MM		product family HEADERS	
l/r	ecn no	dr	date	tolerances unless otherwise specified					
A	V03-090	DAI	8/14/03	angles	XX±.01/XX±0.3		title VERTICAL 2-ROW GUIDE PIN (SLOTTED) HEADER-FMLB		
B	M05-0102	MHT	5/10/05	linear	XXX±.06/XX±0.13		dwg no 10033362		
C	M06-0289	AGS	7/29/06	0°±2'	XXX±.0020/XXX±0.051		sheet 1 of 2 size A3		
D	M09-0059	MHT	4/16/09	dr	D. INGRAM	8/14/03	type Product Customer Drawing		
				engr	H. SUNDY	8/14/03			
				chr	H. SUNDY	8/14/03			
				appd	H. SUNDY	8/14/03			
sheet	revision	D	D						
index	sheet	1	2						

FCJ  
FCJconnect.com

Copyright FCJ

form A3

PRODUCT NUMBER NOTE 4	SIZE NOTE 4	TAIL LENGTH DIM H	DIM D	DIM G	DIM E	OVERALL LENGTH DIM L	PLATING NOTE 10	SHORT PIN LOCATION
10033362-001LF	2X18	.122/3.10	NOTE 3	.37/-.94+DIM D	.40/10.2+DIM D	.48/12.2+DIM D	30u"/.76u Au OVER 50u"/1.27u Ni	A & B - 13,14,15,16
10033362-002LF	2X18	.122/3.10	NOTE 3	.37/-.94+DIM D	.40/10.2+DIM D	.48/12.2+DIM D	30u"/.76u Au OVER 50u"/1.27u Ni	A & B - 1,2,3,8,9,10,11,12,13,14,15,16

NOTES :

- ① MOLDING MATERIAL : HI-TEMP RESIN  
PER UL 94 V-0 COLOR : NATURAL
- ② PIN RETENTION TO BE 3 LBS/1.36 KG  
MIN PER PIN IN EITHER DIRECTION.
- ③ DIM D =  
(NO. OF COLUMNS-1) TIMES .100(ENGLISH)  
(NO. OF COLUMNS-1) TIMES 2.54(METRIC)
- ④ SIZES 2X1 THROUGH 2X4 ARE NOT AVAILABLE.
- ⑤ TERMINAL MATERIAL : 3/4/HARD PHOS BRONZE ALLOY  
UNS C51000
- ⑥ FLATNESS IS MEASURED FROM THE BOTTOM  
OF THE END STANDOFFS.
- ⑦ PART NUMBERS WITH "LF" SUFFIX AT THE END ARE LEAD FREE.
8. THE HOUSING WILL WITHSTAND EXPOSURE TO 260°C PEAK TEMPERATURE  
FOR 15 SECONDS IN A WAVE SOLDER APPLICATION WITH A 1.5mm  
MINIMUM THICK CIRCUIT BOARD. SEE APLICATION NOTES/PROCEDURES  
IF THEY ARE AVAILABLE.
9. THIS PRODUCT MEETS EUROPEAN UNION DIRECTIVES AND OTHER  
COUNTRY REGULATION AS DESCRIBED IN GS-22-008.
- ⑩ PLATING OPTIONS:  
MAY BE EITHER GOLD OR GXT PLATED AT MANUFACTURER'S OPTION.

mat'l. code		surface ISO 1302	tolerance ISO 406 ISO 1101	projection 	product family HEADERS
ltr	ecn no	dr	date	title VERTICAL 2-ROW GUIDE PIN (SLOTTED) HEADER-FMLB	
D				INCH/MM	scale 2:1
				tolerances unless otherwise specified	
				linear	.XX±.01/XX±0.3
				angles	.XXX±.006/XXX±0.13
				0'±2'	.XXX±.0020/XXX±0.051
dr		D. INGRAM	8/14/03	FCJ	
engr		H. SUNDY	8/14/03	dwg no 10033362 sheet 2 of 2 size A3	
chr		H. SUNDY	8/14/03	type Product Customer Drawing	
appd		H. SUNDY	8/14/03		
sheet	revision				
index	sheet				

form: A3