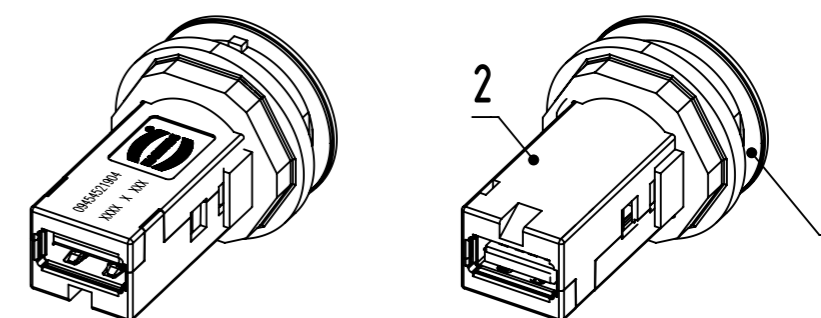


loading-plan

V Bus	1	1
D-	2	2
D+	3	3
GND	4	4
StdA_SSRX-	5	5
StdA_SSRX+	6	6
GND_DRAIN	7	7
StdA_SSTX-	8	8
StdA_SSTX+	9	9
Shield	Shell	Shell



	All rights reserved		Created by BALSAN		Inspected by PRIESTER	Standardisation KOHLER	Date 2019-03-07	State Final Release
	Department EL PD		Title har-port USB 3.0 A-A PFT black		Doc-Key / ECM-Nr. 100205294/UGD/012/E 50000014.7324		Rev. E	Page 1/1
HARTING Electronics GmbH D-32339 Espelkamp		Type TB	Number 09454521904					