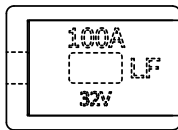
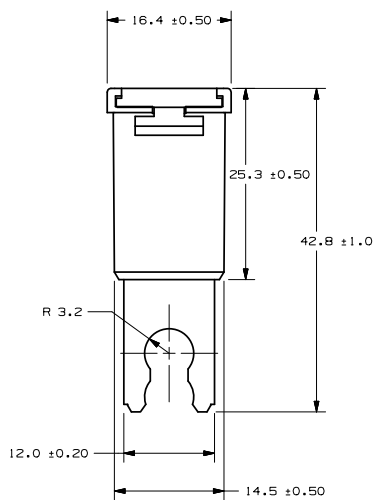
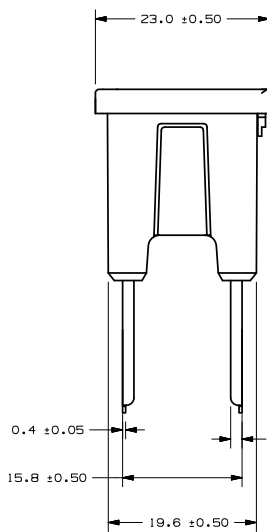


CAD GENERATED DRAWING - NO PENCIL CHANGES ALLOWED

% OF RATED CURRENT	OPENING TIME	
	MIN	MAX
110%	14,400 SEC.	-
200%	5 SEC.	100 SEC.
350%	0.2 SEC.	7 SEC.
600%	0.04 SEC.	1 SEC.



PART NUMBER	CURRENT RATING (A)	BODY COLOR
0294030.MXJ	30	PINK
0294040.MXJ	40	GREEN
0294050.MXJ	50	RED
0294060.MXJ	60	YELLOW
0294070.MXJ	70	BROWN
0294080.MXJ	80	BLACK
0294100.MXJ	100	BLUE
0294120.MXJ	120	WHITE



METRIC

UNLESS OTHERWISE SPECIFIED, DIMENSIONS ARE IN MILLIMETERS.

UNLESS OTHERWISE SPECIFIED, DIMENSIONS DO NOT INCLUDE PLATING.

⑧ DENOTES CRITICAL CHARACTERISTIC.

CPK DENOTES CPK DIMENSIONS. -MINIMUM CPK VALUE DENOTES A CHARACTERISTIC THAT PROVIDES AN INDICATION OF PROCESS PERFORMANCE. PROCEDURE FOR MEASUREMENT IS LISTED IN THE LITTLEFUSE INSPECTION INSTRUCTIONS.

CP DENOTES CP DIMENSIONS. -MINIMUM CP VALUE MUST BE WITHIN THE DIMENSIONAL LIMITATIONS AND TOLERANCES SPECIFIED OR OTHERWISE SPECIALLY LOCATED TO ALLOW FOR MAXIMUM TOOL LIFE.

NO	COMPONENT NO	DESCRIPTION	QTY/M	U/M
----	--------------	-------------	-------	-----

BILL OF MATERIAL

COPIES TO	MATL SPEC
1	FINISH
9	
18	
19	
20	
21	
DATE	08/14/09
SCALE	2:1
DATE	
SUPER DR	
DATE	
FINISH GOOD WT	
GRAMS/PIECE	

LTR	DATE	REVISION	CHK	APD
A	08/14/09	000782ER-RELEASE	QMB	

TOLERANCE UNLESS OTHERWISE SPECIFIED:  
 ONE PLACE DEC  $\pm$ /.4  
 TWO PLACE DEC  $\pm$ /.25  
 ANGULAR  $\pm$ 1°

3RD ANGLE PRACTICE  
**TITLE** BOLT DOWN HIGH CURRENT CARTRIDGE FUSE  
**REVISION DRWG. NO.** A OL-0294000.MXJ  
**OUTLINE**  
 LITTLEFUSE  
 ONE PLAZA DRIVE  
 BEE PLANES, ILLINOIS 60016