



30mm BlackMax, Epoxy Coated Corrosion Resistant Complete Metal Unit  
Illuminated Indicator Light Full Voltage type, 6V AC/DC Super Bright LED Lamp,  
BA9s Glass Lens, Amber UL Listed, CSA Certified NEMA 1,3,3R,4,4X,12,13 &  
Automotive Standards

product brand name	Siemens Pilot Devices
design of the product	Complete Unit, Round
<b>Enclosure</b>	
number of command points	1
delivery state as a kit	No
<b>Actuator</b>	
design of the actuating element	Indicator Light
product extension optional light source	Yes
color of the actuating element	amber
material of the actuating element	glass
shape of the actuating element	Concentric rings
<b>Front ring</b>	
product component front ring	Yes
design of the front ring	standard
material of the front ring	metal
color of the front ring	black
<b>Holder</b>	
material of the holder	metal
<b>Contact block/ lampholder</b>	
socket design	BA 9s, with cluster LED lamp
number of lampholders	1
<b>Display</b>	
number of LED modules	4
<b>General technical data</b>	
product component	
• lamp transformer	No
• light source	Yes
degree of pollution	1
type of voltage	
• of the operating voltage	AC/DC
• of the input voltage	AC/DC
surge voltage resistance rated value	4 kV
protection class IP	IP66
• of the terminal	IP20
vibration resistance according to IEC 60068-2-6	0 ... 2000 Hz, 1.52 mm displacement (peak-to-peak) max./ 10g max.
mechanical service life (operating cycles) typical	50
operating voltage	
• at AC at 60 Hz rated value	6 ... 8 V
• at DC rated value	6 ... 8 V
<b>Supply voltage</b>	

type of voltage of the supply voltage of the light source	AC/DC
<b>supply voltage of the light source at AC at 60 Hz</b>	
• rated value	8 ... 6 V
<b>supply voltage of the light source at DC</b>	
• rated value	8 ... 6 V
<b>Connections/ Terminals</b>	
<b>type of electrical connection</b>	screw-type terminals
• of modules and accessories	screw-type terminals
type of connectable conductor cross-sections for AWG cables for auxiliary contacts	1x (18 ... 12), 2x (18 ... 16), 2x (16 ... 14), 2x 12
<b>tightening torque of the screws in the bracket</b>	20 N·m
tightening torque [lbf·in] with screw-type terminals	8 ... 8 lbf·in
<b>Lamp</b>	
<b>type of light source</b>	Cluster LED
<b>color of the light source</b>	yellow
<b>Safety related data</b>	
<b>touch protection against electrical shock</b>	finger safe
<b>Ambient conditions</b>	
<b>ambient temperature</b>	
• during operation	-35 ... +70 °C
• during storage	-40 ... +85 °C
<b>Installation/ mounting/ dimensions</b>	
<b>fastening method</b>	
• of modules and accessories	screw-mounting
<b>shape of the installation opening</b>	round
<b>Certificates/ approvals</b>	
<b>Further information</b>	

Siemens has decided to exit the Russian market (see here).

<https://press.siemens.com/global/en/pressrelease/siemens-wind-down-russian-business>

Siemens is working on the renewal of the current EAC certificates.

Please contact your local Siemens office on the status of validity of the EAC certification if you intend to import or offer to supply these products to an EAC relevant market (other than the sanctioned EAEU member states Russia or Belarus).

Information on the packaging

<https://support.industry.siemens.com/cs/ww/en/view/109813875>

Information- and Downloadcenter (Catalogs, Brochures,...)

<https://www.siemens.com/ic10>

Industry Mall (Online ordering system)

<https://mall.industry.siemens.com/mall/en/en/Catalog/product?mlfb=US2:52BL5B9XY>

Cax online generator

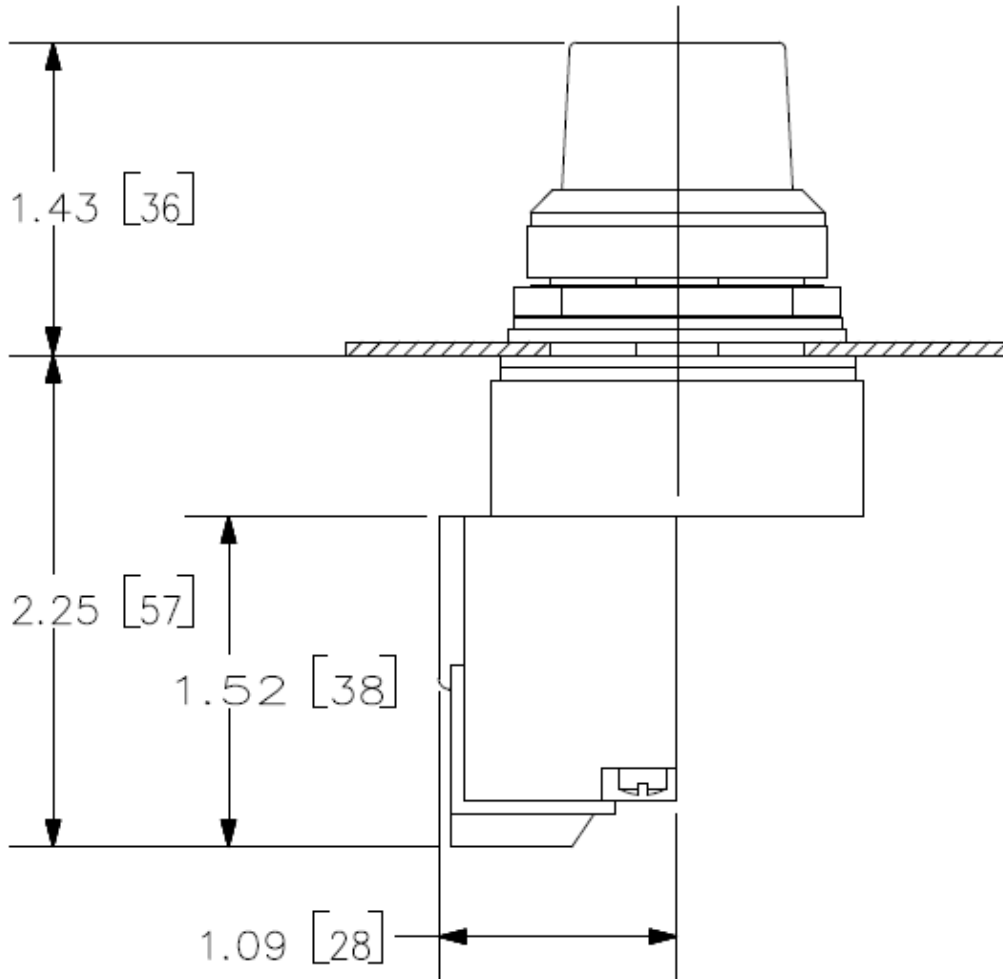
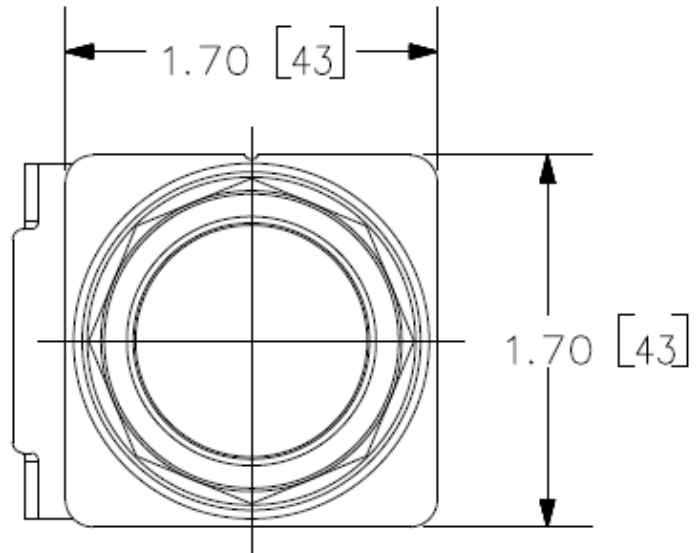
<http://support.automation.siemens.com/WW/CAXorder/default.aspx?lang=en&mlfb=US2:52BL5B9XY>

Service&Support (Manuals, Certificates, Characteristics, FAQs,...)

<https://support.industry.siemens.com/cs/ww/en/ps/US2:52BL5B9XY>

Image database (product images, 2D dimension drawings, 3D models, device circuit diagrams, EPLAN macros, ...)

[http://www.automation.siemens.com/bilddb/cax\\_de.aspx?mlfb=US2:52BL5B9XY&lang=en](http://www.automation.siemens.com/bilddb/cax_de.aspx?mlfb=US2:52BL5B9XY&lang=en)



last modified:

12/21/2020 