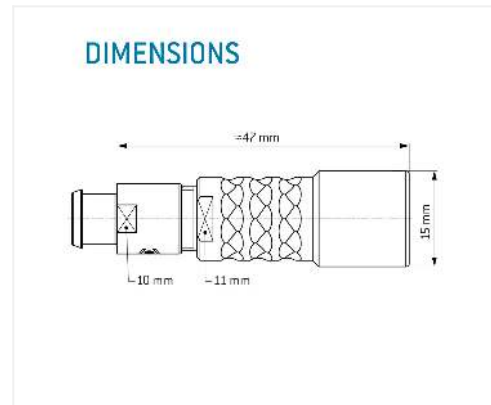
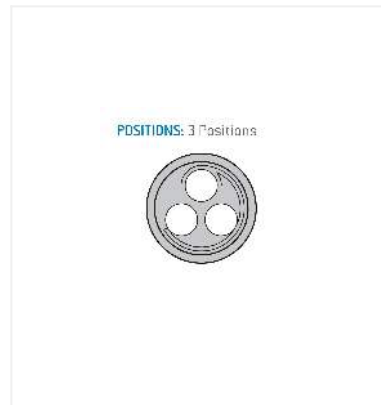


## General information

|                   |                     |
|-------------------|---------------------|
| Part number       | K21KAC-P03LPH0-700S |
| Termination       | solder              |
| Size              | 1                   |
| Locking principle | break , push        |
| Coding            | a_key               |
| Cable Diameter    | cable_mini_70       |
| Cable outlet      | bend_relief         |



## Contact insert description

|                      |         |
|----------------------|---------|
| Number of contacts   | 3       |
| Contact type         | sockets |
| Contact diameter     | 13mm    |
| Insulator material   | peek    |
| Wire cross section   | 20_awg  |
| Termination          | solder  |
| Termination diameter | 11mm    |

reverse\_gender\_on\_request

## Technical information

|  |          |               |
|--|----------|---------------|
| Max. creepage and air clearance distance | 09_mm    | 07_mm         |
| Nominal current single contact           | 12_a     | iec_60512_5_2 |
| Nominal current insert                   | 12 A     | vde_0298_4    |
| Test voltage                             | 15_kv_ac | sae_13441     |

safety\_text

## Mechanical and environmental data

|                       |          |
|-----------------------|----------|
| Degree of protection* | ip68     |
| Operating temperature | 40_120_c |
| Mating cycles         | 5000     |

mated

## Material and surface treatments

|         |               |
|---------|---------------|
| Housing | m_chrome      |
| Contact | cu_alloy_gold |

safety\_text\_2  
ul\_text  
illustrative\_text