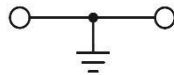
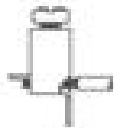


Part number: **10134281-001LF**



Screw ground terminal blocks - yellowgreen
 Screw connection - 10mm² / 6AWG - Width 10 mm



GENERAL DATA

| | |
|--------------|--------------------|
| Item | 10134281 |
| Weight/Piece | 30.1 g |
| Colour | YellowGreen |
| Q.ty p.pck. | 50 |

TECHNICAL DATA / DIMENSIONS

Dimensions

| | |
|--------------------------|------------|
| Width mm | 10 |
| Length mm | 58 |
| Height mm | 44 |
| Mounting type (EN 60715) | Omega TH35 |

Technical data

| | |
|---------------------------------------------------------------|-------|
| Maximum load current | - |
| Insulating material | PA |
| Self-extinguishing degree acc. to UL94 | V2 |
| Rated surge voltage | 6KV |
| Pollution degree | 3 |
| Surge voltage category | III |
| Insulating material group | I |
| Nominal Voltage | - |
| Nominal Current | - |
| Temperature index, insulating material – Elec. UL 746 B - RTI | 130°C |
| Static insulating material lower permissible temperature | -60°C |

Connection data

| | |
|------------------------------------------|--------------------------|
| Conductor cross-section solid min/max | 1.5 / 10 mm ² |
| Conductor cross-section stranded min/max | 1.5 / 10 mm ² |

| | |
|-----------------------------------------------------------------------|------------------------------|
| AWG min/max | 20-6 AWG |
| Max conductor cross-section stranded with ferrule with plastic sleeve | 10 mm ² / L=12 mm |
| Stripping length | max 13 mm |
| Screw | M4 – Zinc plated steel |
| Tightening torque | 1.2Nm / 20 Lb-In |
| Earth Screw | M3.5 – Zinc plated steel |
| Tightening torque | 0.6Nm / 7 Lb-In |
| Clamp | Zinc plated steel |
| Metal part | Zinc plated steel |

APPROVALS

RINA

EN60947-7-2

10mm²

EN60068-2-11

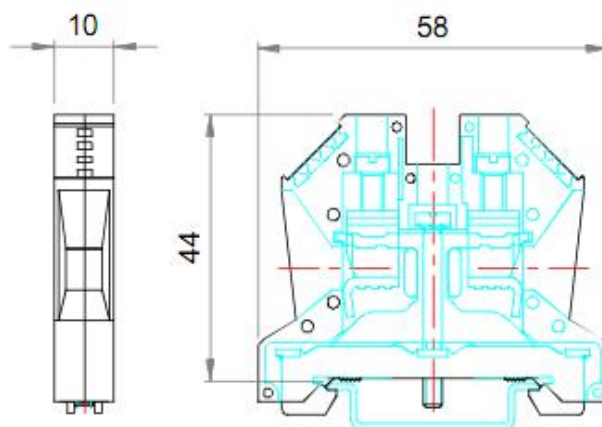
Salt mist test for 96 hours



UL1059

AWG 20-6

TECHNICAL DRAWINGS



ACCESSORIES

Marking

| Item | Description |
|--------------------------------------------|------------------------------------------------------------------------|
| 10134398-001LF | Single-digit marking tag (5 x 3 mm) - white |
| 10134398-002LF ~ 10134398-011LF | Single-digit marking tag (5 x 3 mm) – with marking: 0 ~ 9 |
| 10134398-012LF ~ 10134398-041LF | Single-digit marking tag (5 x 3 mm) – with marking: A ~ Z |
| 10134401-001LF | Marking tags (6 x 12 mm) - white (<i>special marking on request</i>) |

DIN RAIL system - Mounting and Installation material

| Item | Description |
|-----------------------|-----------------------------|
| 10134389-001LF | End bracket width 9 |
| 10134390-001LF | End bracket width 6 |
| 10134391-001LF | Snap-on end bracket width 6 |