

THIS DRAWING IS UNPUBLISHED.

RELEASED FOR PUBLICATION

20

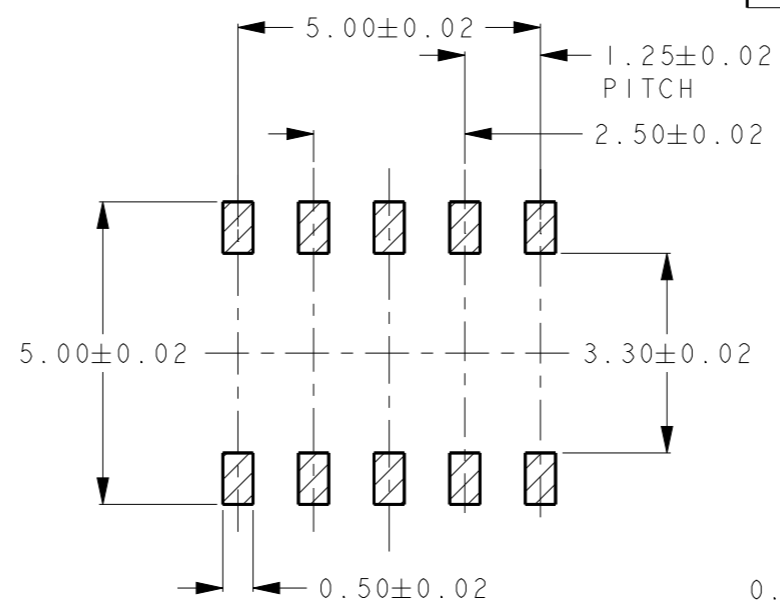
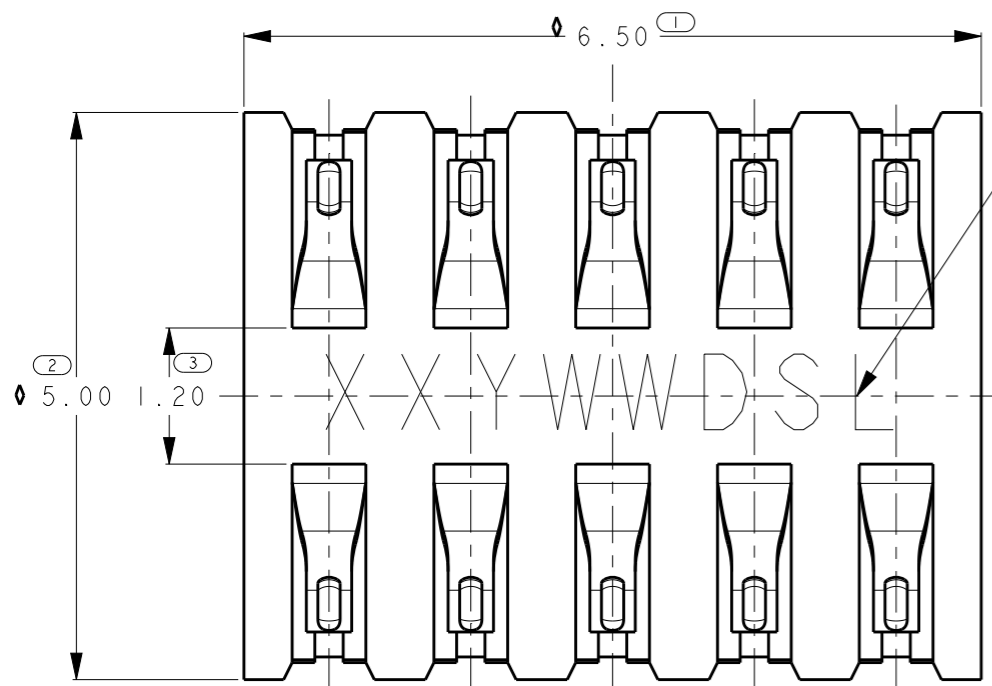
LOC
ES

DIST

REVISIONS

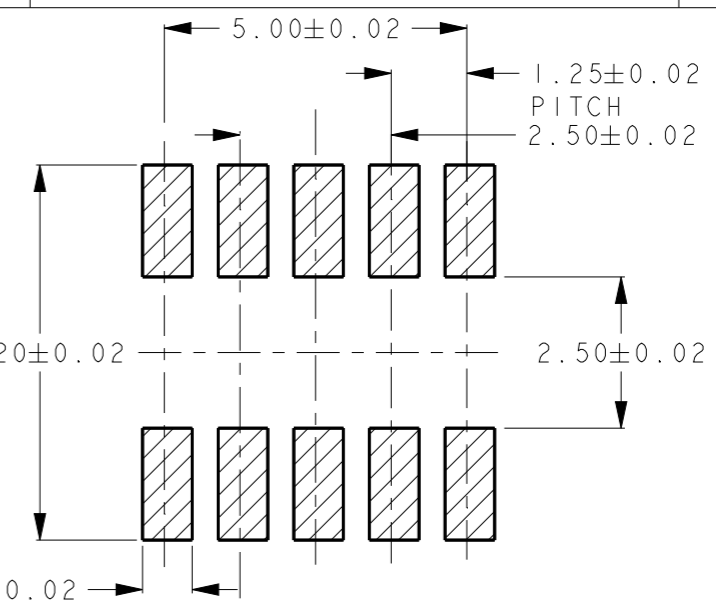
© COPYRIGHT 20 ALL RIGHTS RESERVED.

P	LTR	DESCRIPTION	DATE	DWN	APVD
	A	INITIAL	21MAR2013	R.W	S.Y



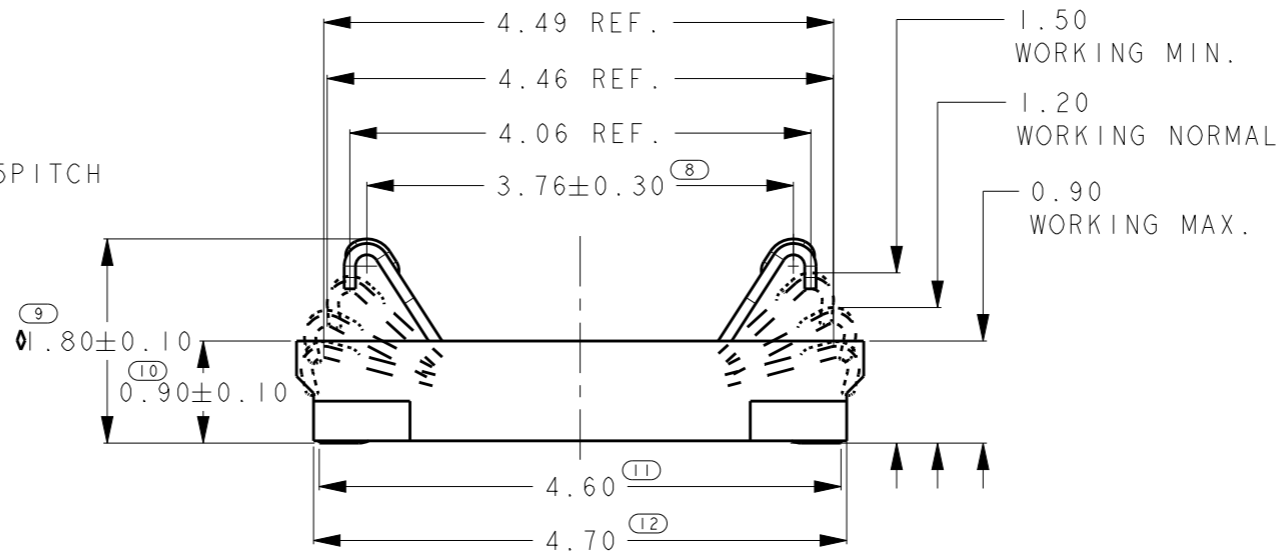
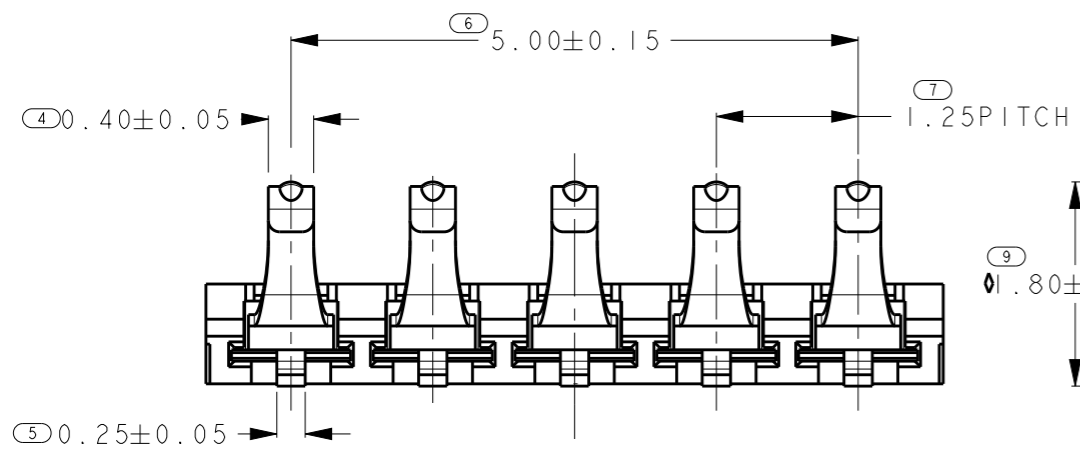
SCALE 8:1

RECOMMEND SOLDERING PWB LAYOUT



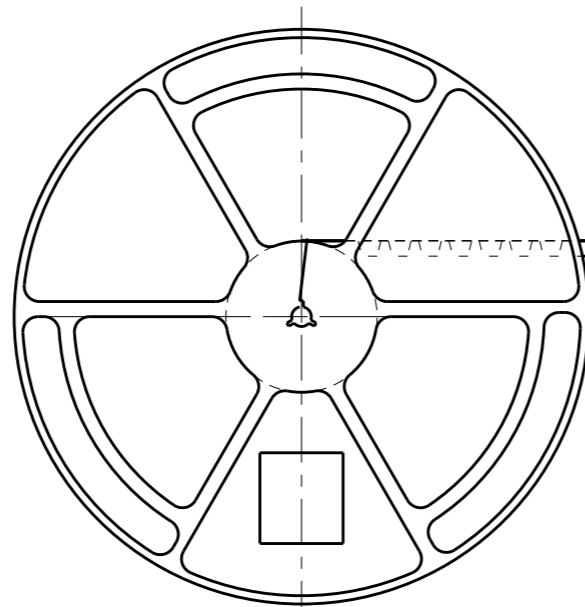
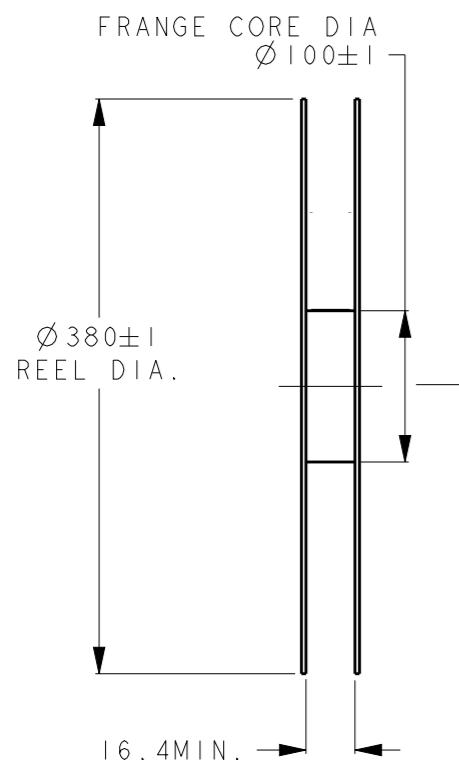
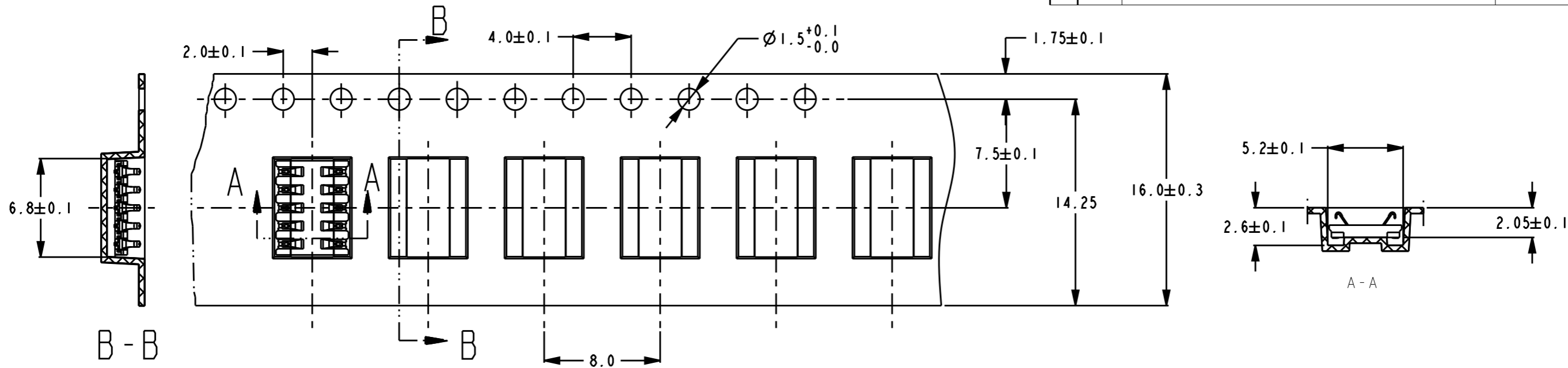
SCALE 8:1

RECOMMEND MATING LAYOUT



- NOTES:
- 1. TE PART NUMBER: 2199055-2
 - 2. MATERIAL
TERMINAL: COPPER ALLOY, THICKNESS 0.10mm.
HOUSING: HIGH TEMPERATURE THERMO PLASTIC
UL94V-0 BLACK
 - 3. FINISH
TERMINAL: 0.10-0.2 um GOLD PLATING ON CONTACT AREA,
1.25 um MIN. NICKLE UNDER PLATING,
GOLD FLASH PLATING ON SOLDERING AREA.
 - 4. COPLANARITY: 0.08 MAX. AMANG ALL SOLDER TAILS.
 - 5. PACKAGING: TAPE & REEL.
 - 6. DATE CODE: "XXYWWSL"
 - XX = VERSION NO. FOR EXAMPLE: P1, V1, A1
 - P = PROTO TOOL; V = PRODUCTION TOOL; A = MASS APPROVED.
 - YWWD = PRODUCTION DATE (YEAR, WEEK, DAY).
 - S = SHIFT (D=DYA, N=NIGHT); L = LINE NUMBER.

THIS DRAWING IS A CONTROLLED DOCUMENT.		DWN 21MAR2013 RAY WANG		TE Connectivity	
DIMENSIONS: mm		CHK 21MAR2013 HE WENKE			
TOLERANCES UNLESS OTHERWISE SPECIFIED: ±0.20		APVD 21MAR2013 STEVEN YAO		NAME ONE PIECE BtoB CONNECTOR 10 PINS, HI.20, TWO ROWS	
<ul style="list-style-type: none"> 0 PLC ± 1 PLC ± 2 PLC ± 3 PLC ± 4 PLC ± ANGLES ±5° 		PRODUCT SPEC 108-115045		SIZE A300779	
MATERIAL		APPLICATION SPEC -		DRAWING NO C-2199055	
FINISH		WEIGHT 0.0723		RESTRICTED TO -	
		CUSTOMER DRAWING		SCALE 20:1	
				SHEET 1 OF 2	
				REV A	



40mm MIN. WITHOUT CHARGE SEALED WITH COVER TAPE

WITH PRODUCT CHARGE 3800PCS

100mm MIN. WITHOUT CHARGE SEALED WITH COVER TAPE

165° 21.2' ~ 180°
PEELING ANGLE
0.1 ~ 1.3N (300mm/min ± 10%)
PEELING STRENGTH

250mm MIN.

- NOTES:
1. TAPE MATERIAL: P.S 0.4mm THICKNESS, COLOR: NATURAL.
 2. QUANTITY PER REEL: 3800PCS.

THIS DRAWING IS A CONTROLLED DOCUMENT.

DWN RAY WANG 21MAR2013

CHK WENKE HE 21MAR2013

APVD STEVEN YAO 21MAR2013

NAME

ONE PIECE BtoB CONNECTOR
10 PINS, HI.20, 2 ROWS

SIZE

CAGE CODE

DRAWING NO

RESTRICTED TO

A300779 C-2199055

WEIGHT

-

Customer Drawing

SCALE

13:1

SHEET

2

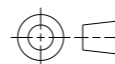
OF 2

REV

A

DIMENSIONS:

mm



TOLERANCES UNLESS OTHERWISE SPECIFIED: ±0.20

0 PLC ±

1 PLC ±0.50

2 PLC ±0.20

3 PLC ±

4 PLC ±

ANGLES ±

MATERIAL

-

FINISH

-