

MODEL NUMBER
ADT-2681-NM-SMF-02

NOTES:

1.0 MATERIALS:

- 1.1 HOUSING & NUT: STAINLESS STEEL PER ASTM-A582, TYPE 303.
- 1.2 CENTER CONTACT: BERYLLIUM COPPER ROD ALLOY C172, PER ASTM-B196.
- 1.3 DIELECTRIC: PTFE FLUOROCARBON PER ASTM-D1457.

2.0 PLATING:

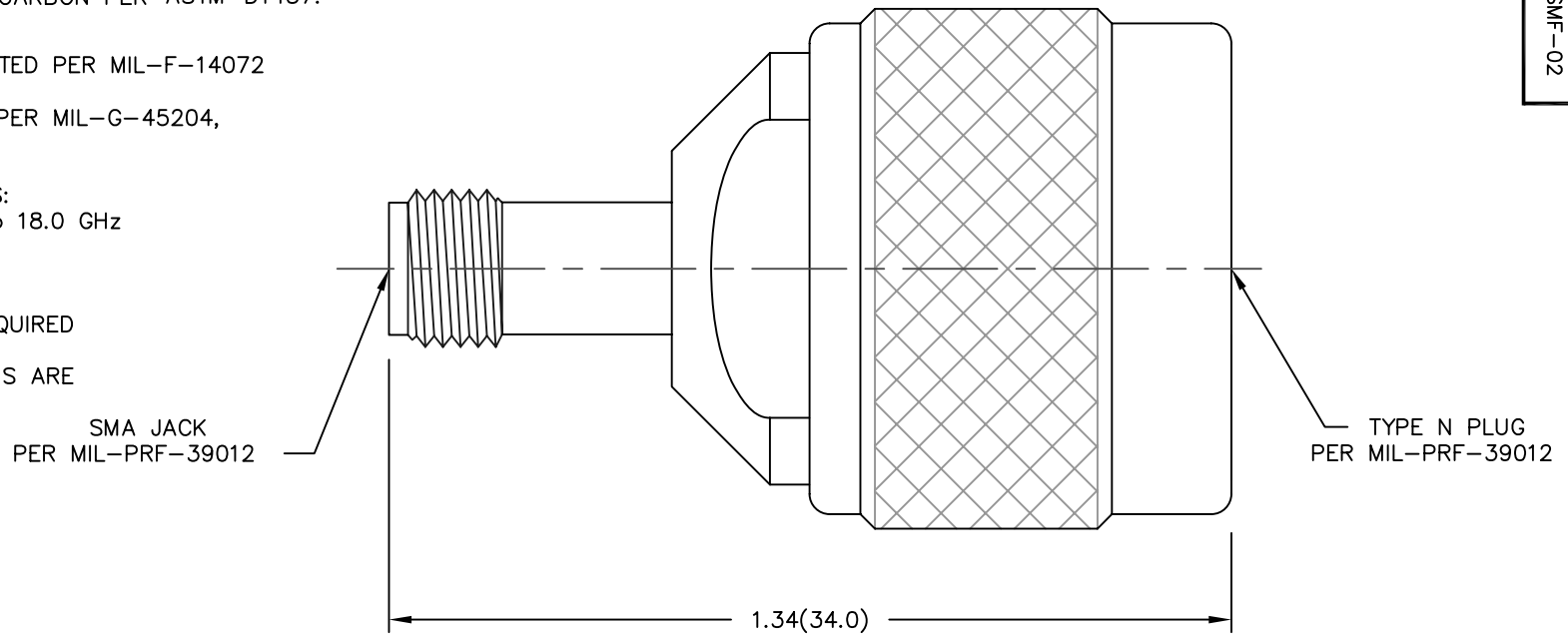
- 2.1 HOUSING & NUT: PASSIVATED PER MIL-F-14072 AND QQ-P-35
- 2.2 CENTER CONTACT: GOLD PER MIL-G-45204, TYPE II, CLASS 2.

3.0 ELECTRICAL SPECIFICATIONS:

- 3.1 FREQUENCY RANGE: DC to 18.0 GHz
- 3.2 VSWR: 1.25:1 MAX.
- 3.3 IMPEDANCE: 50 OHMS

4.0 MARKING: NO MARKING REQUIRED

5.0 DIMENSIONS IN PARENTHESIS ARE IN MILLIMETERS.



DWG NO. WAS: 04049-01-00

REV.	DESCRIPTION	DATE
-	RELEASED	11/19/92
A	ECR 1749	10/12/82
B	ECR 6545	7/10/88
C	ECR 6933	4/25/90
CI	UPDATE MODEL NO	2/21/91
D	REDRAW ON CAD	11/16/92
DI	ADDED TITLEBLOCK	3/15/05

NOTICE: The information contained in this drawing is proprietary and must not be used without the permission of Emerson Network Power.

UNLESS OTHERWISE NOTED DIMENSIONS ARE IN INCHES AND TOLERANCES ARE:
 3 PLACE DECIMALS ±.005
 2 PLACE DECIMALS ±.02
 FRACTIONS ±1/64
 PARALLELITY: T.I.R. _____
 FLATNESS: T.I.R. _____
 CONCENTRICITY: T.I.R. _____
 ANGLES AND PERPENDICULARITY: ±1'

CAGE CODE 34078		MIDWEST MICROWAVE	
		TITLE ADAPTER TYPE N MALE TO SMA FEMALE OUTLINE DRAWING	
		DRAWING NUMBER ADT-2681-NM-SMF-02-01	REV. D1
DRAWN/DATE A.BEATTY 11/16/92	ENG./DATE A.OSGA 11/19/92	SCALE: 5=1	SHEET 1 of 1
CHECKED/DATE M.HOLLMAN 11/17/92	APPROVED/DATE		