

SHUR-PLUG 180

TE Internal #: 60798-2

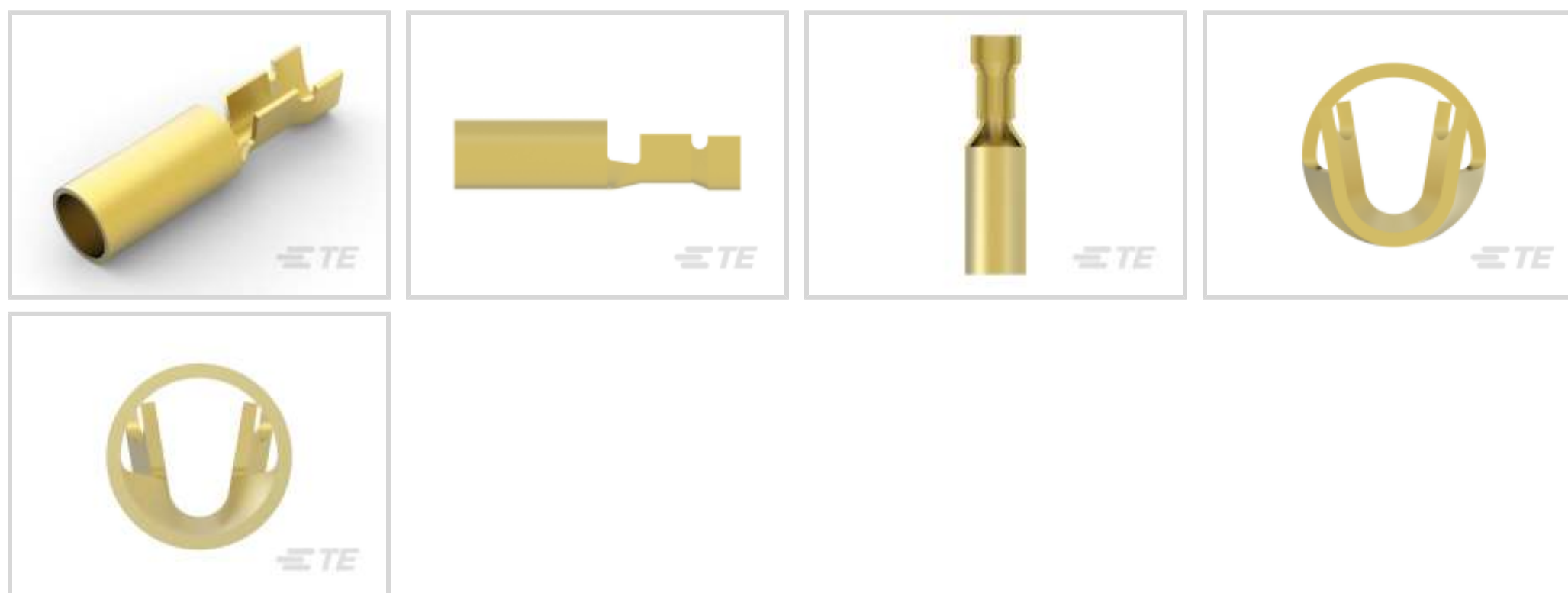
Crimp Wire Pins, Tabs & Ferrules, Shur-Plug, Mating Pin Diameter

4.57 mm [.18 in], 18 – 14 AWG Wire Size, .8 – 2 mm² Wire Size,

SHUR-PLUG 180

[View on TE.com >](#)

Terminals & Splices > Crimp Wire Pins, Tabs & Ferrules

Crimp Wire Terminal Type: **Shur-Plug**Mating Pin Diameter: **4.57 mm [.18 in]**Compatible Insulation Diameter Range: **2.29 – 3.18 mm, 3.17 mm [.09 – .125 in, .125 in]**Wire Size: **.8 – 2 mm²****Features****Product Type Features**

Compatible With Discrete Wire Type

Solid, Stranded

Configuration Features

Compatible With Wire & Cable Type

Discrete Wire

Contact Features

Crimp Wire Terminal Type

Shur-Plug

Mating Pin Diameter

4.57 mm [.18 in]

Barrel Type

Open

Terminal Plating Material

Unplated

Terminal Orientation

Straight

Mechanical Attachment

Wire Insulation Support

With

Dimensions

Compatible Insulation Diameter Range

2.29 – 3.18 mm, 3.17 mm [.09 – .125 in][.125 in]



Wire Size	1624 – 4106 CMA
Barrel Inside Diameter	1.65 mm, 2.66 mm [.065 in][.105 in]
Terminal Material Thickness	.39 mm [.016 in]
Overall Product Length	19.94 mm [.785 in]

Usage Conditions

Insulation Option	Uninsulated
Operating Temperature Range	-40 – 105 °C [-40 – 221 °F]

Packaging Features

Packaging Quantity	12000
Packaging Method	Reel

Product Compliance

[For compliance documentation, visit the product page on TE.com>](#)

EU RoHS Directive 2011/65/EU	Compliant
EU ELV Directive 2000/53/EC	Compliant
China RoHS 2 Directive MIIT Order No 32, 2016	No Restricted Materials Above Threshold
EU REACH Regulation (EC) No. 1907/2006	Current ECHA Candidate List: JUNE 2023 (235) Candidate List Declared Against: JUNE 2023 (235) Does not contain REACH SVHC
Halogen Content	Low Halogen - Br, Cl, F, I < 900 ppm per homogenous material. Also BFR/CFR/PVC Free
Solder Process Capability	Not applicable for solder process capability

Product Compliance Disclaimer

This information is provided based on reasonable inquiry of our suppliers and represents our current actual knowledge based on the information they provided. This information is subject to change. The part numbers that TE has identified as EU RoHS compliant have a maximum concentration of 0.1% by weight in homogenous materials for lead, hexavalent chromium, mercury, PBB, PBDE, DBP, BBP, DEHP, DIBP, and 0.01% for cadmium, or qualify for an exemption to these limits as defined in the Annexes of Directive 2011/65/EU (RoHS2). Finished electrical and electronic equipment products will be CE marked as required by Directive 2011/65/EU. Components may not be CE marked. Additionally, the part numbers that TE has identified as EU ELV compliant have a maximum concentration of 0.1% by weight in homogenous materials for lead, hexavalent chromium, and mercury, and 0.01% for cadmium, or qualify for an exemption to these limits as defined in the Annexes of Directive 2000/53/EC (ELV). Regarding the REACH Regulation, the information TE provides on SVHC in articles for this part number is based on the latest European Chemicals Agency (ECHA) 'Guidance on requirements for substances in articles' posted at this URL: <https://echa.europa.eu/guidance-documents/guidance-on-reach>

Compatible Parts




TE Part # 42700-1
SHUR PLUG 180 RECEPTACLE 20-16 AWG BR



TE Part # 42749-1
SHUR PLUG 180 REC 20-16 AWG BR



TE Part # 62757-1
225 DIA PIN 18-14 016BR



TE Part # 63830-1
SHUR PLUG 180 18-14 AWG PTPBR



TE Part # 2-2150079-2
OCEAN_2.0 APPLICATOR-E-100F140F



TE Part # 2150079-2
OCEAN_2.0 APPLICATOR-E-100F140F

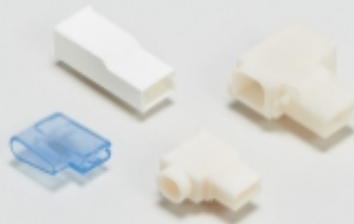


TE Part # 7-2150079-2
OCEAN_2.0 APPLICATOR-E-100F140F



TE Part # 7-2150079-7
OCEAN_2.0 SPARE_PART_KIT-100F140F


Also in the Series | SHUR-PLUG 180



Crimp Terminal Housings(6)



Crimp Wire Pins, Tabs & Ferrules(37)



Special Purpose Terminals(1)

Customers Also Bought



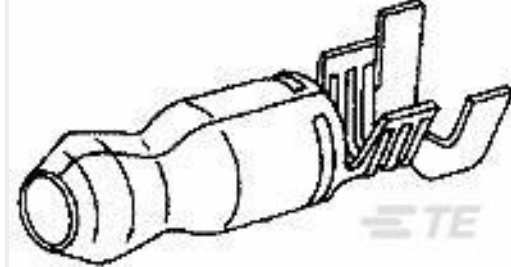
TE Part #60798-4
SHUR PLUG 180 RECEPTACLE 18-14 AWG TPBR



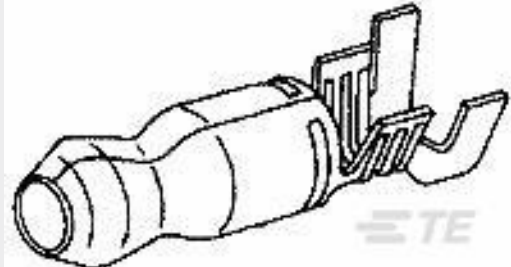
TE Part #60799-2
SHUR PLUG 180 RECEPTACLE 18-14 AWG BR



TE Part #61867-2
RING CRIMP 18-14 AWG TPBR



TE Part #60660-1
SHUR PLUG 180 18-14 AWG TPBR



TE Part #60793-1
SHUR PLUG .180 18-14 AWG TPBR



TE Part #61802-1
SHUR PLUG .156 18-14 AWG PTPBR



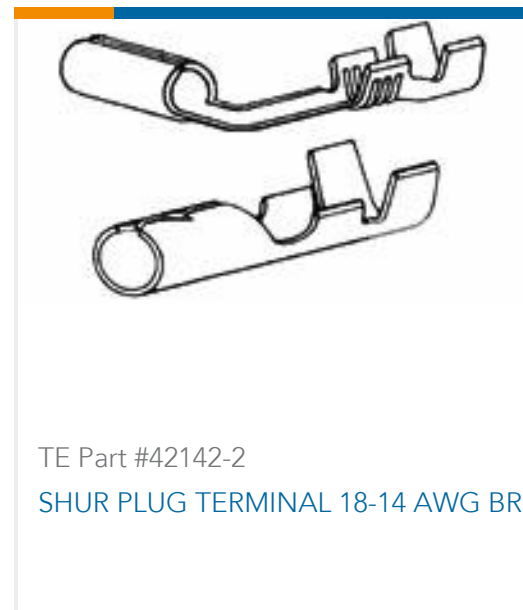
TE Part #2297813-2
BASE ASSY, 38 POSN ISO FUSE AND RELAY



TE Part #1326031-5
2.8MM BLD,SEAL,14AWG



TE Part #2098164-4
Cover, 60 Pos, No Fuse Graphic or
Holder



TE Part #42142-2
SHUR PLUG TERMINAL 18-14 AWG BR

Documents

Product Drawings

SHUR PLUG 180 RECEPTACLE 18-14 AWG BR

English

CAD Files

3D PDF

3D

Customer View Model

[ENG_CVM_CVM_60798-2_AN.2d_dxf.zip](#)

English

Customer View Model

[ENG_CVM_CVM_60798-2_AN.3d_igs.zip](#)

English

Customer View Model

[ENG_CVM_CVM_60798-2_AN.3d_stp.zip](#)

English

By downloading the CAD file I accept and agree to the [Terms and Conditions](#) of use.

Product Specifications

Application Specification

English

Product Environmental Compliance

TE Material Declaration

English