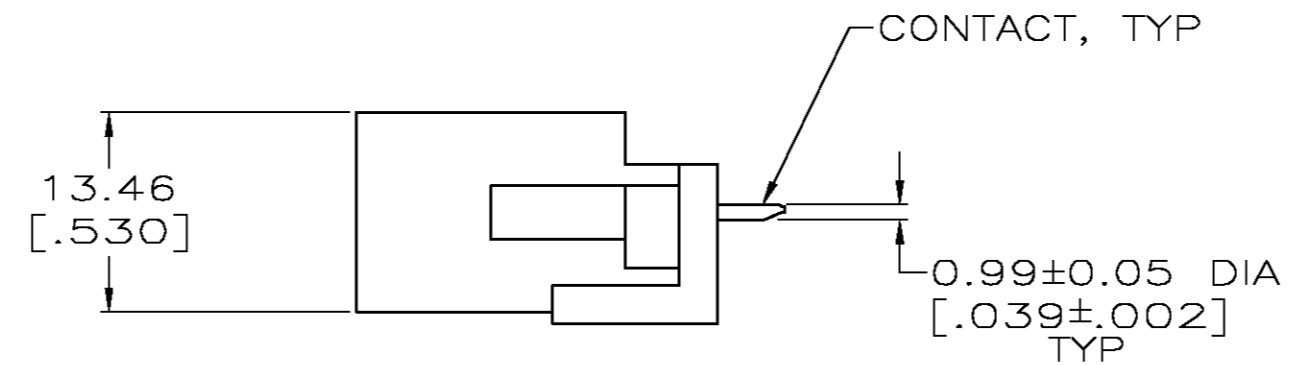
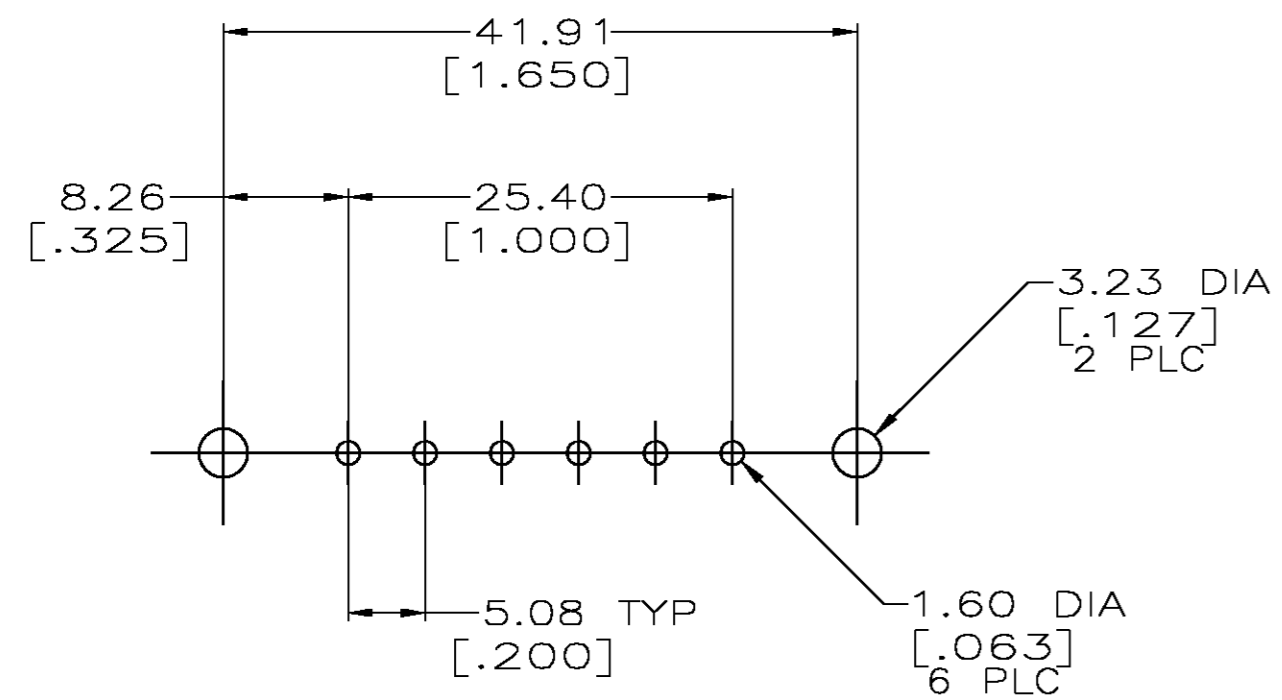
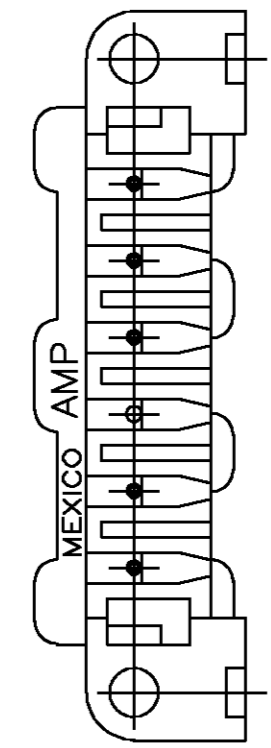
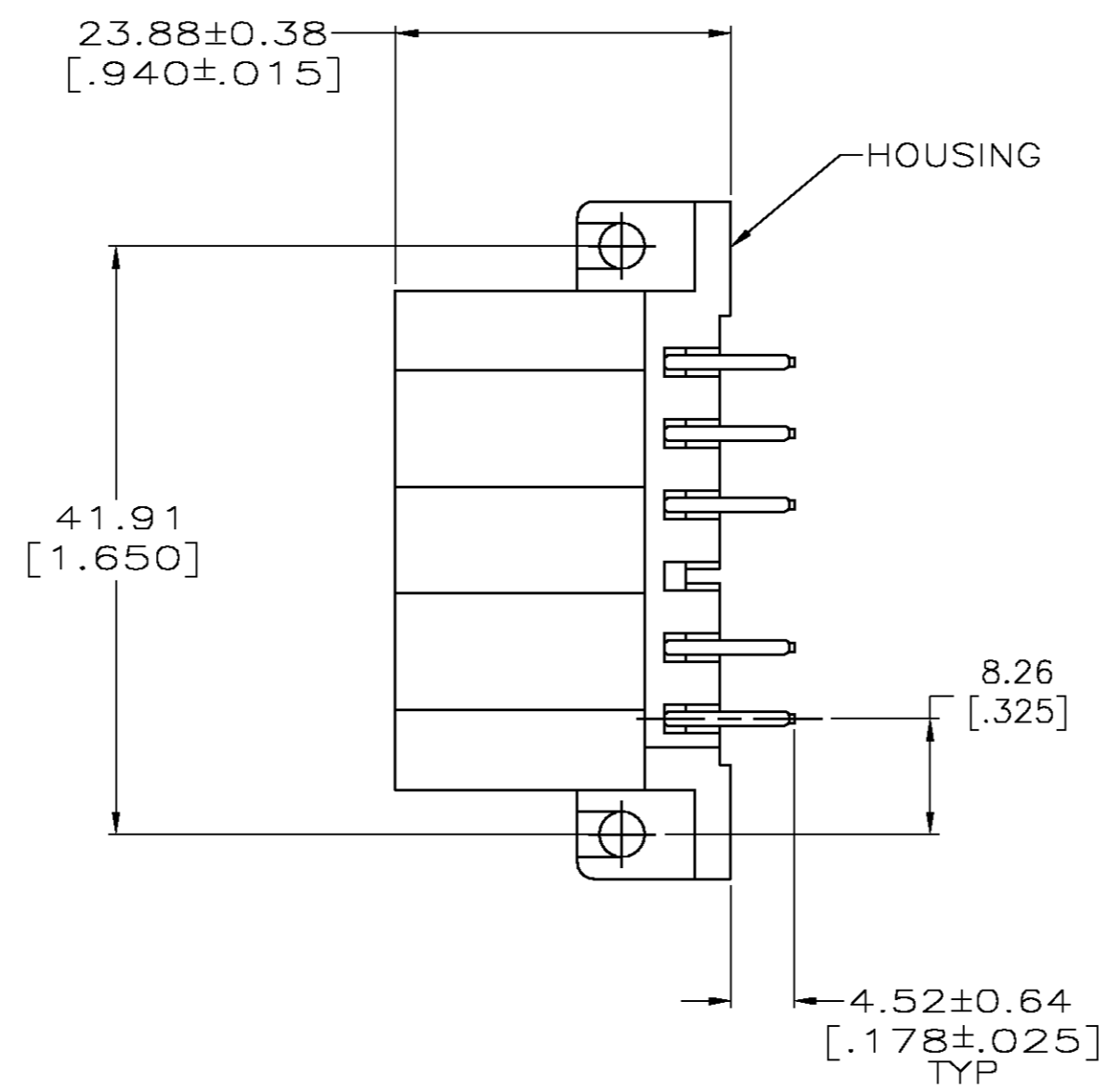
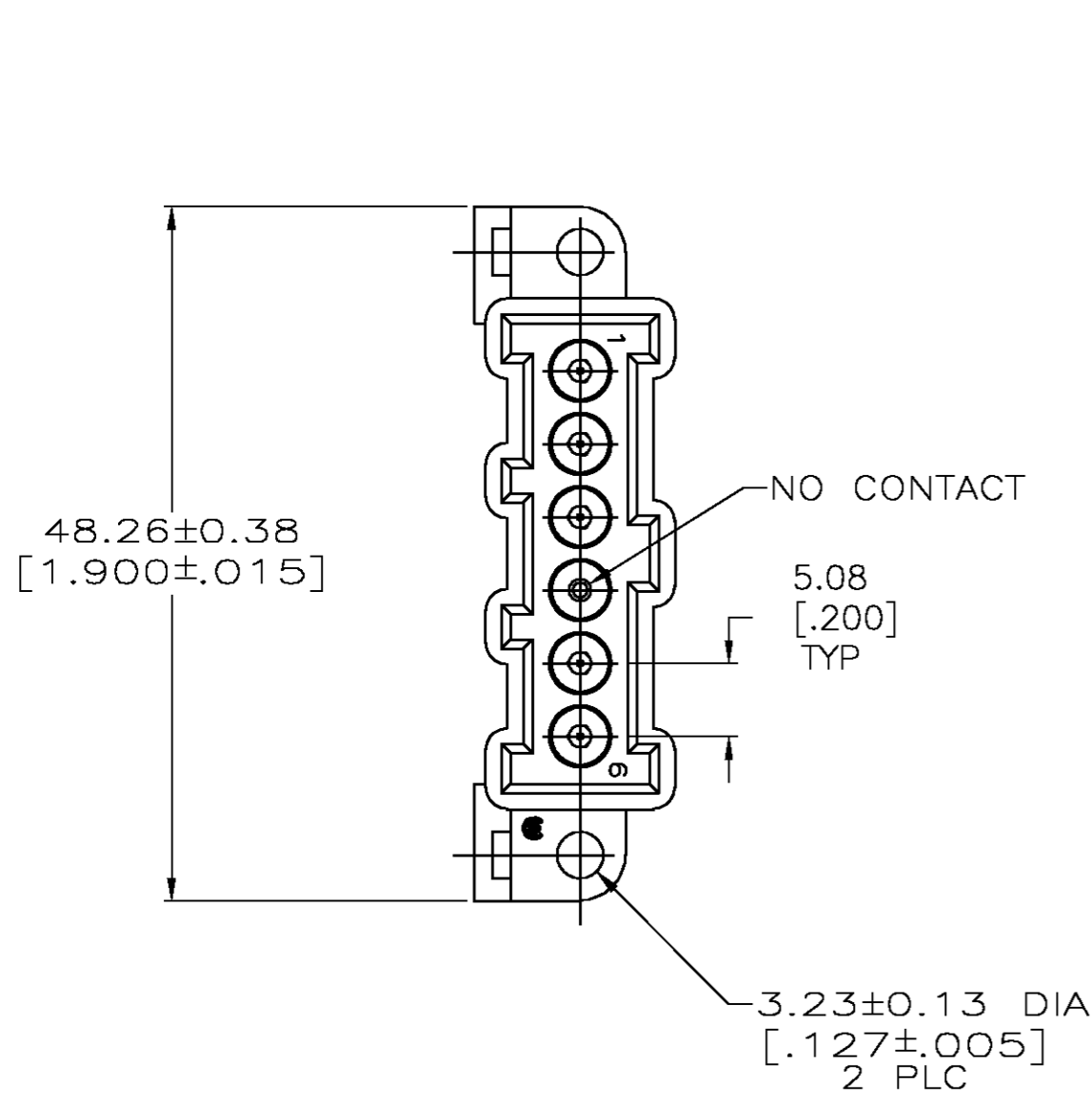


THIS DRAWING IS UNPUBLISHED. RELEASED FOR PUBLICATION
 © COPYRIGHT BY TYCO ELECTRONICS CORPORATION. ALL RIGHTS RESERVED.

LOC	DIST	REVISIONS			
P	LTR	DESCRIPTION	DATE	DWN	APVD
FT	0	F	REVISED PER 0G3B-0168-05	3/11/05	SS GS



RECOMMENDED PC BOARD LAYOUT

- ① THERMOPLASTIC, RED.
- ② BRASS PER MIL-C-50.
- ③ 3.81um [.000150] MIN TIN-LEAD OVER COPPER 2.54um [.000100] MIN PER MIL-C-14550 OR NICKEL 1.27um [.000050] MIN PER QQ-N-290.
- ④ 3.81um [.000150] MIN TIN OVER COPPER 2.54um [.000100] MIN PER MIL-C-14550 OR NICKEL 1.27um [.000050] MIN PER QQ-N-290.

④	212572-3
③	212572-2
FINISH	PART NUMBER

THIS DRAWING IS A CONTROLLED DOCUMENT.		DWN 09-13-94 D.HARDY	 Tyco Electronics Corporation Harrisburg, Pa 17105-3608
DIMENSIONS: mm [INCHES]		CHK 10-27-94 R.STONE	
TOLERANCES UNLESS OTHERWISE SPECIFIED:		APVD -	NAME
0 PLC ± - 1 PLC ± - 2 PLC ± 0.25[.010] 3 PLC ± - 4 PLC ± - ANGLES ± -		PRODUCT SPEC -	PIN HEADER ASSEMBLY, 6 POSN, 180 DEGREE IN-LINE, METRIMATE
MATERIAL HOUSING: ① CONTACTS: ②		APPLICATION SPEC -	
FINISH		WEIGHT -	SIZE A2
CONTACTS: SEE TABLE		CUSTOMER DRAWING	CAGE CODE 00779
		SCALE 2:1	DRAWING NO C=212572
		SHEET 1 OF 1	RESTRICTED TO -
		REV F	