

DISK #
C5

DWG
SIZE
C

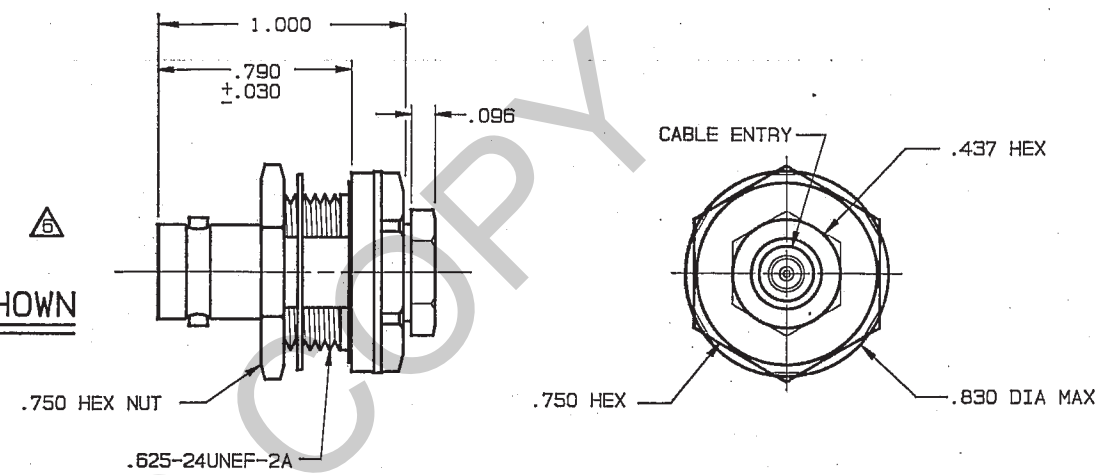
DATA CONTAINED IN THIS DOCUMENT IS PROPRIETARY TO TROMPETER ELECTRONICS INC. AND SHALL NOT BE DISCLOSED, COPIED OR USED FOR PROCUREMENT OR MANUFACTURE WITHOUT EXPRESS WRITTEN PERMISSION.

REVISIONS			1-0341		SH 1
REV	EO	DESCRIPTION	DWN	APPROVED	DATE
T	9367	.830 DIA MAX WAS .810 DIA	DKC	B.M.	7-23-91

RED INDICATES ORIGINAL

DASH NO	FIG	CABLES ACCOMMODATED	ASSEMBLE PER
-1	1.3	RG-58	TAI-101
-U1		ESSEX 621-715	
-2		RG-59	
-U2			
-2A		BELDEN 8279	
-U2A			
-2B		W.E.CO. 730A	
-U2B			
-3		RG-223	
-U3			
-3A		RG-55	
-U3A			
-4		RG-122	
-U4		BELDEN 8218	
-5		RG-174	
-U5		RG-187	
-5A			
-U5A		RG-196	
-5B		HEWLETT-PACKARD 8120-1107	
-U5B			
-21		RG-303	
-U21			
-22		RG-180	
-U22			
-31		BRUMMAN GC875GP1	
-U31		RG-187 DBL SHLD	
-34		BELDEN 8228	
-U34			
-36		275-3991 MICRODOT	
-U36		616-569 AMPEX	
-37		810 RAYCHEM	
-U37			
-41	RG-304		
-U41	9248 BELDEN		
-44	BRAND-REX B749		
-U44	GORE C06C032		
-53			
-U53	69555 BELDEN		
-63			
-U63	734A. AT&T		
-086	2	RG-405	TAI-130
-U086			
-141		RG-402	
-U141			

FIG 1
- 1 SHOWN



INCH	MM
.005	0.13
.030	0.76
.096	2.44
.125	3.18
.187	4.75
.250	6.35
.281	7.14
.284	7.21
.312	7.92
.437	11.10
.630	16.00
.635	16.13
.750	19.05
.790	20.07
.830	21.08
1.000	25.40
1.406	35.71
1.846	46.89

FIG 2
- 086 SHOWN

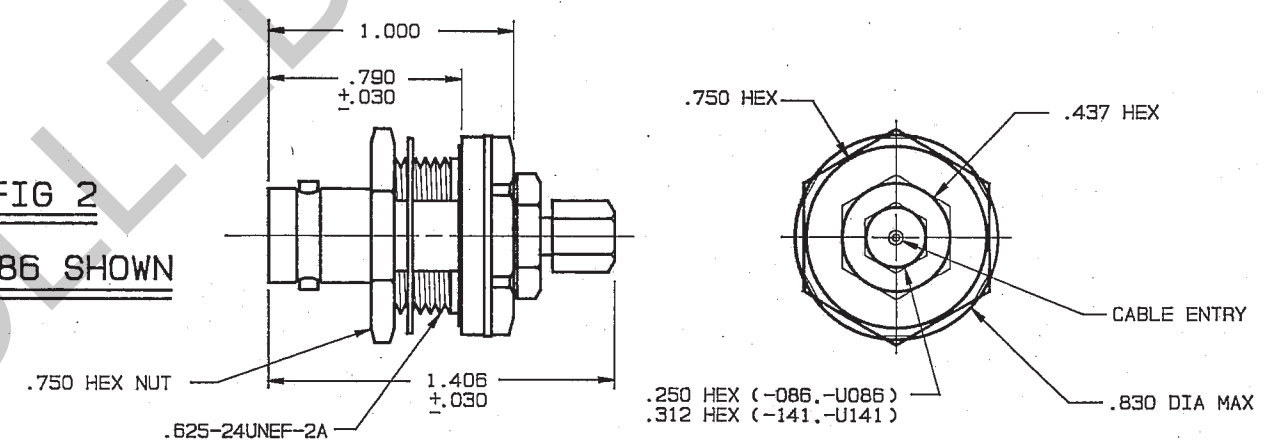
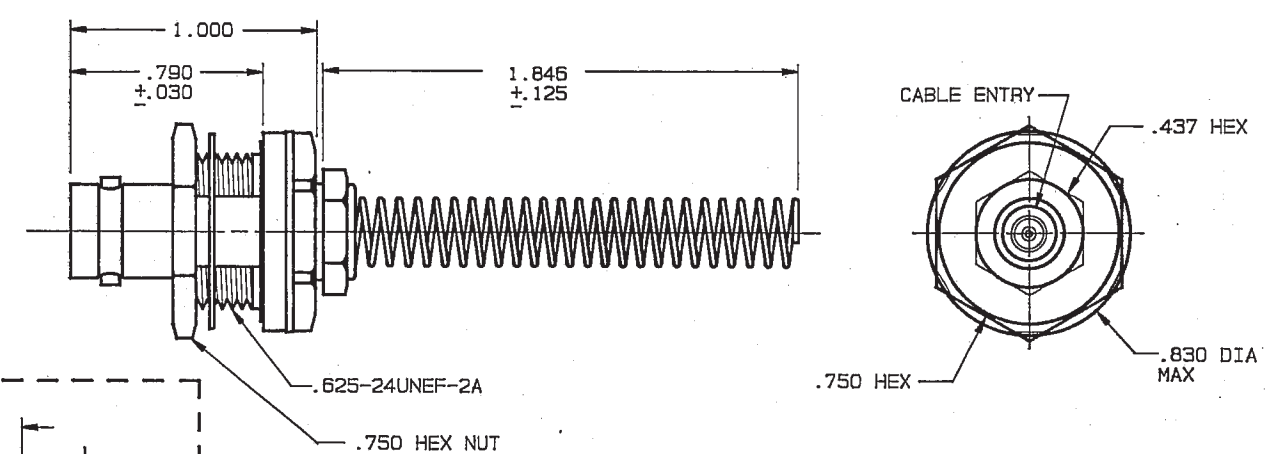
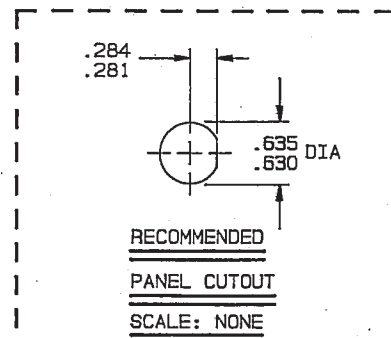


FIG 3
- 1 SHOWN



- ⚠ IF BEND RELIEF SPRING REQUIRED (FIG 3)
ADD SUFFIX "BR" TO MODEL NO (NOT AVAILABLE WITH CABLE GROUPS -63, -U63, -086, -U086, -141 & -U141)
- FEMALE TYPE BNC COAXIAL INSULATED BULKHEAD JACKS, BOTH 50 & 75 OHM VERSIONS
 - MAX PANEL THK .187
 - DASH NO DENOTES CABLE GROUP EXCEPT "U" PREFIX DENOTES 75 OHM VERSION
 - FINISH: TFS-1A (NICKEL)
 - ALL DIM ARE IN INCHES



QTY	DESCRIPTION	PART NUMBER	ITEM
110-0002	TOL UNLESS SPECIFIED		
105-0717	.XX ±		
105-0623	.XXX ± .005		
305-0361	ANGLE		
155-0393	DWN DKC 7-1-91		
108-1016	CHK B.M. 7-19-91		
NEXT ASSY	ENGR		
	APPR JY 7-22-91		

TOL UNLESS SPECIFIED		TROMPETER RF connectivity		BJ26/UBJ26 BJ26BR/UBJ26BR	
MATERIAL	CODE IDENT	DRAWING NO.	REV		
	14949	1-0341	T		
SCALE 2/1	DATE 10/13/89	SHEET 1 OF 2			