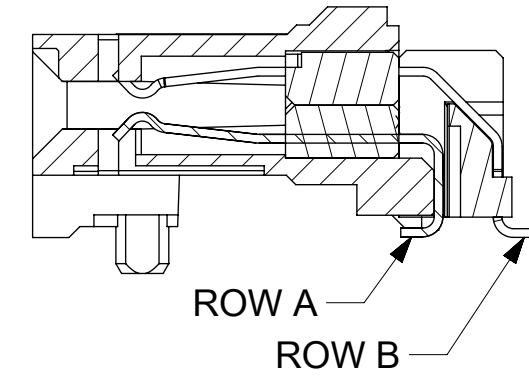
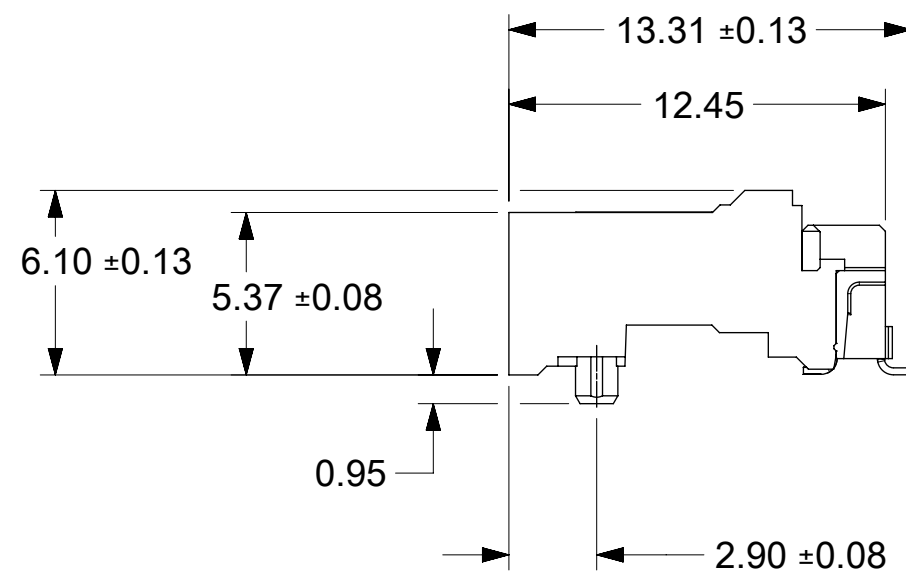
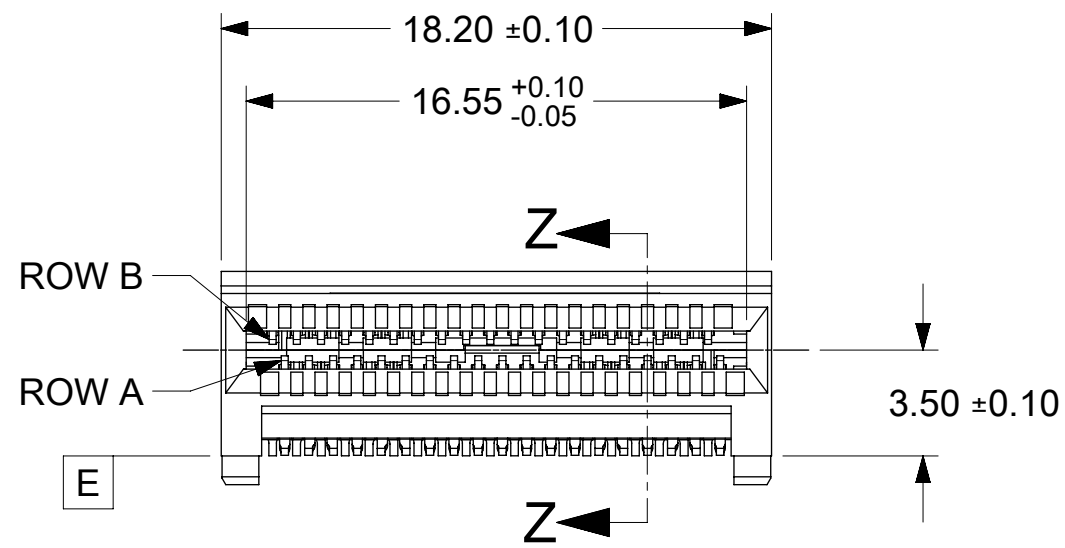
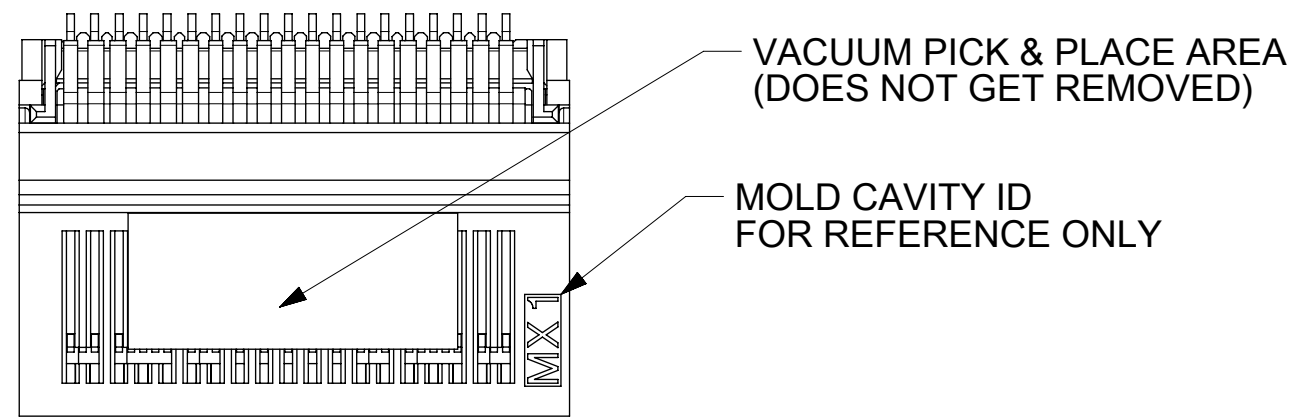
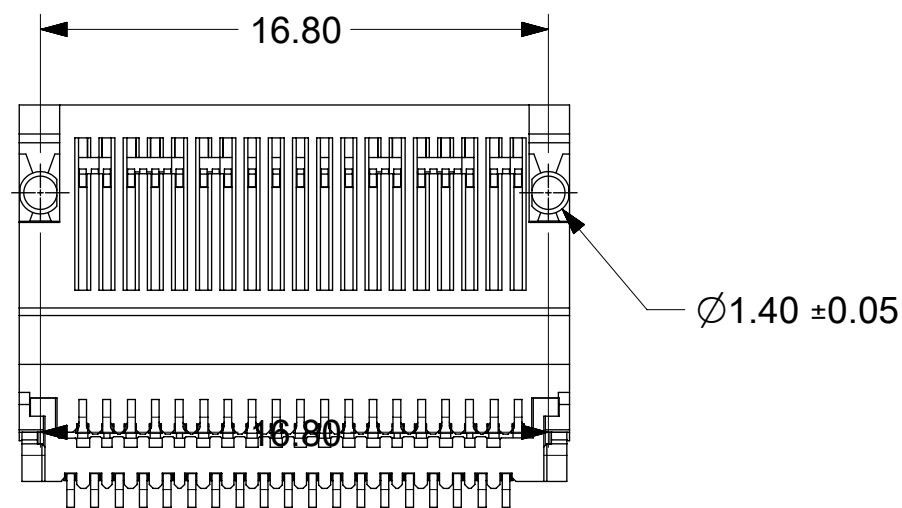


NOTES

1. MATERIAL:  
HOUSING - HIGH TEMPERATURE THERMOPLASTIC GLASS FILLED, UL 94V-0, BLACK  
TERMINALS - COPPER ALLOY
2. PLATING:  
CONTACT AREA - 0.38  $\mu$ m MIN GOLD OVER 2.54  $\mu$ m MIN NICKEL  
SOLDER FOOT AREA - 2.54 - 5.09  $\mu$ m TIN OVER 2.54  $\mu$ m MAX NICKEL.
3. PLATING:  
CONTACT AREA - 0.76  $\mu$ m MIN GOLD OVER 2.54  $\mu$ m MIN NICKEL  
SOLDER AREA - 2.54 - 5.09  $\mu$ m TIN OVER 2.54  $\mu$ m MAX NICKEL
4. PLATING:  
CONTACT AREA - 0.76  $\mu$ m MIN GOLD OVER 2.54  $\mu$ m MIN NICKEL;  
SOLDER AREA: GOLD FLASH OVER 2.54  $\mu$ m MAX NICKEL.
5. TERMINAL SOLDER FEET TO BE COPLANAR WITHIN 0.10/.004 MEASURED FROM FRONT HOUSING STAND OFF (DATUM E)
6. DATE CODE AND ASSEMBLY LINE CODE ARE LOCATED APPROXIMATELY AS SHOWN
7. CIRCUIT IDENTIFIER: SEE APPROPRIATE INDUSTRY SPECIFICATION FOR LOCATION OF PIN 1
8. PACKAGED PER PACKAGING SPECIFICATION: PK-170432-900 AND 1704329901
9. CONFORMS TO PRODUCT SPECIFICATION: PS-170432-001
10. THIS PART CONFORMS TO CLASS C REQUIREMENTS OF COSMETIC SPECIFICATION PS-45499-002.



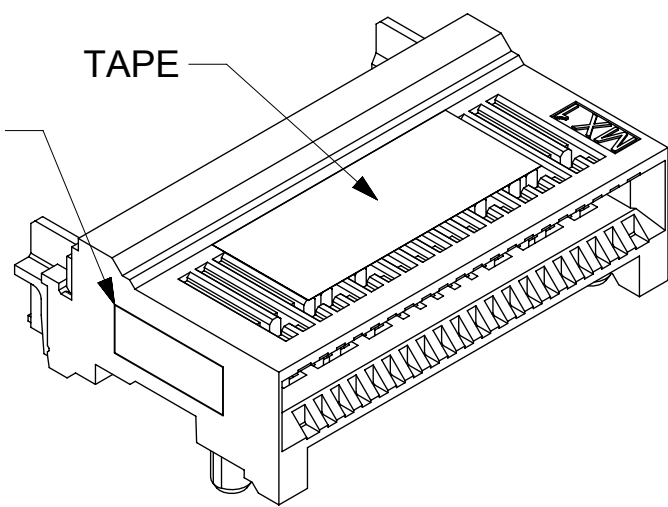
SECTION Z-Z  
SCALE 5:1



NOTES 6:  
DDD Y XX

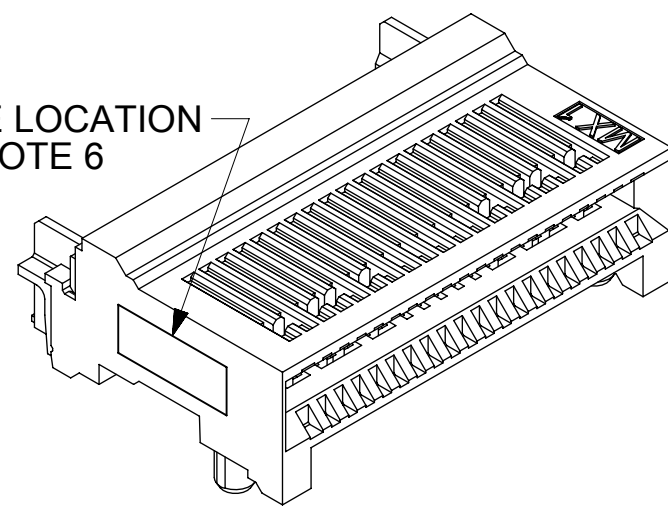
DAYS  
YEAR  
1#-EXISTING LINE  
2#-NEW LINE

DATE CODE LOCATION  
SEE NOTE 6



170432-0001  
170432-0002  
170432-0003  
170432-0005  
WITH TAPE

DATE CODE LOCATION  
SEE NOTE 6

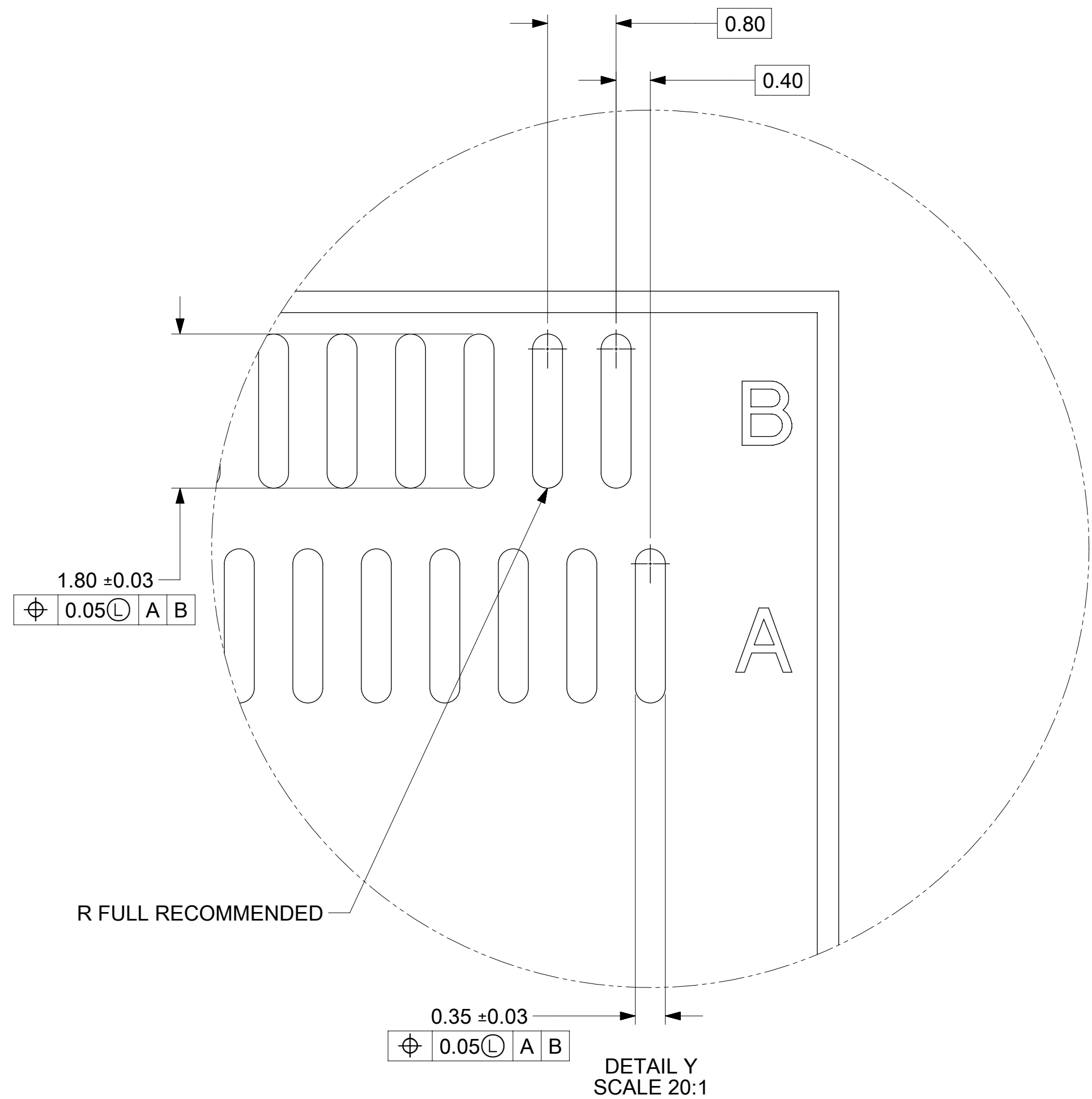
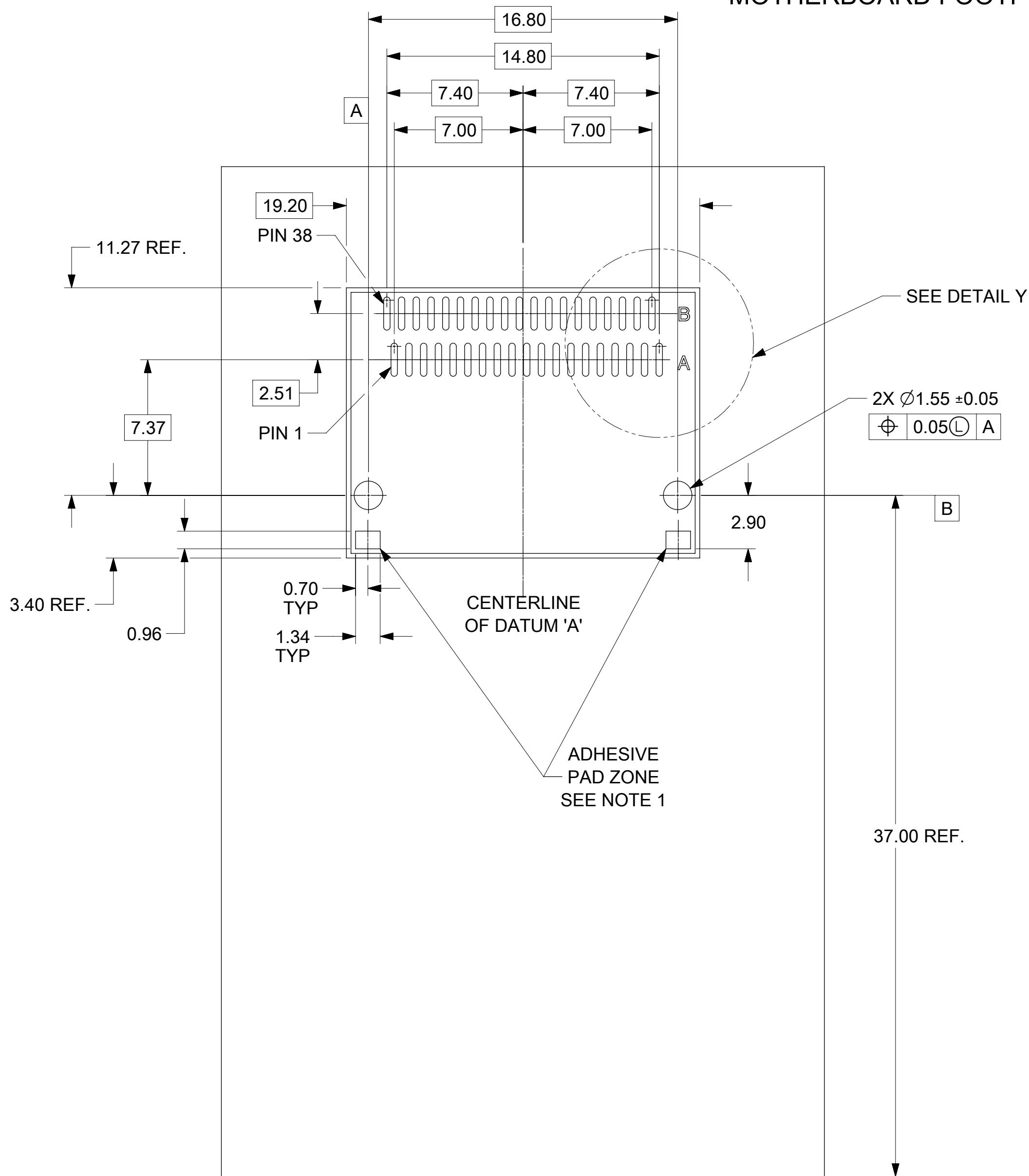


170432-0007  
WITH OUT TAPE

| PART NUMBER | DESCRIPTION       | PACKAGING         |
|-------------|-------------------|-------------------|
| 170432-0001 | PLATED PER NOTE 2 | SEE 1704320001-PK |
| 170432-0002 | PLATED PER NOTE 3 | SEE PK-170432-900 |
| 170432-0003 | PLATED PER NOTE 4 |                   |
| 170432-0005 | PLATED PER NOTE 3 | SEE 1704329901    |
| 170432-0007 | PLATED PER NOTE 3 | SEE PK-170432-900 |

| SYMBOLS           |  | THIS DRAWING CONTAINS INFORMATION THAT IS PROPRIETARY TO MOLEX ELECTRONIC TECHNOLOGIES, LLC AND SHOULD NOT BE USED WITHOUT WRITTEN PERMISSION |  |
|-------------------|--|---|--|
| DIMENSION UNITS   | SCALE  | CURRENT REV DESC:   |  |
| $\nabla = 0$      | MM   | 4:1   | <p><b>molex</b></p> <p>ASSEMBLY ZQSFP+<br/>38 CIRCUIT</p> <p>PRODUCT CUSTOMER DRAWING</p> <p>DOCUMENT NUMBER: SD-170432-002   DOC TYPE: PSD   DOC PART: 001   REVISION: F1</p> <p>MATERIAL NUMBER: SEE TABLE   CUSTOMER: GENERAL MARKET   SHEET NUMBER: 1 OF 4</p> |
| $\nabla = 0$      | GENERAL TOLERANCES (UNLESS SPECIFIED)                |   |  |
| $\nabla = 0$      | ANGULAR TOL $\pm 0.5^\circ$                          |   |  |
| $\nabla = 0$      | 4 PLACES   | $\pm$   |  |
| $\nabla = 0$      | 3 PLACES   | $\pm$   |  |
| $\nabla = 0$      | 2 PLACES   | $\pm 0.25$  |  |
| $\nabla = 0$      | 1 PLACE  | $\pm 0.38$  |  |
| $\nabla = 0$      | 0 PLACES   | $\pm$   |  |
| $\nabla = 0$      | DRAFT WHERE APPLICABLE MUST REMAIN WITHIN DIMENSIONS |   |  |
| $\nabla = 0$      | THIRD ANGLE PROJECTION                               |   |  |
| DRWN: TTAO03      |  | 2021/05/21  |  |
| CHK'D: JKACHLIC   |  | 2021/11/23  |  |
| APPR: JKACHLIC    |  | 2021/11/23  |  |
| INITIAL REVISION: |  |   |  |
| DRWN: JGONZALEZ01 |  | 2010/05/06  |  |
| APPR: JJANTELEZIO |  | 2011/01/27  |  |
| DRAWING           |  | SERIES  |  |
| C-SIZE            |  | 170432  |  |

# MOTHERBOARD FOOTPRINT RECOMMENDATION



**NOTES:**  
 1. WHEN USING A TWO PASS REFLOW PROCESS WHERE THE CONNECTOR IS ON THE UNDERSIDE OF THE PCB DURING THE SECOND PASS, USE OF AN ADHESIVE IS RECOMMENDED.

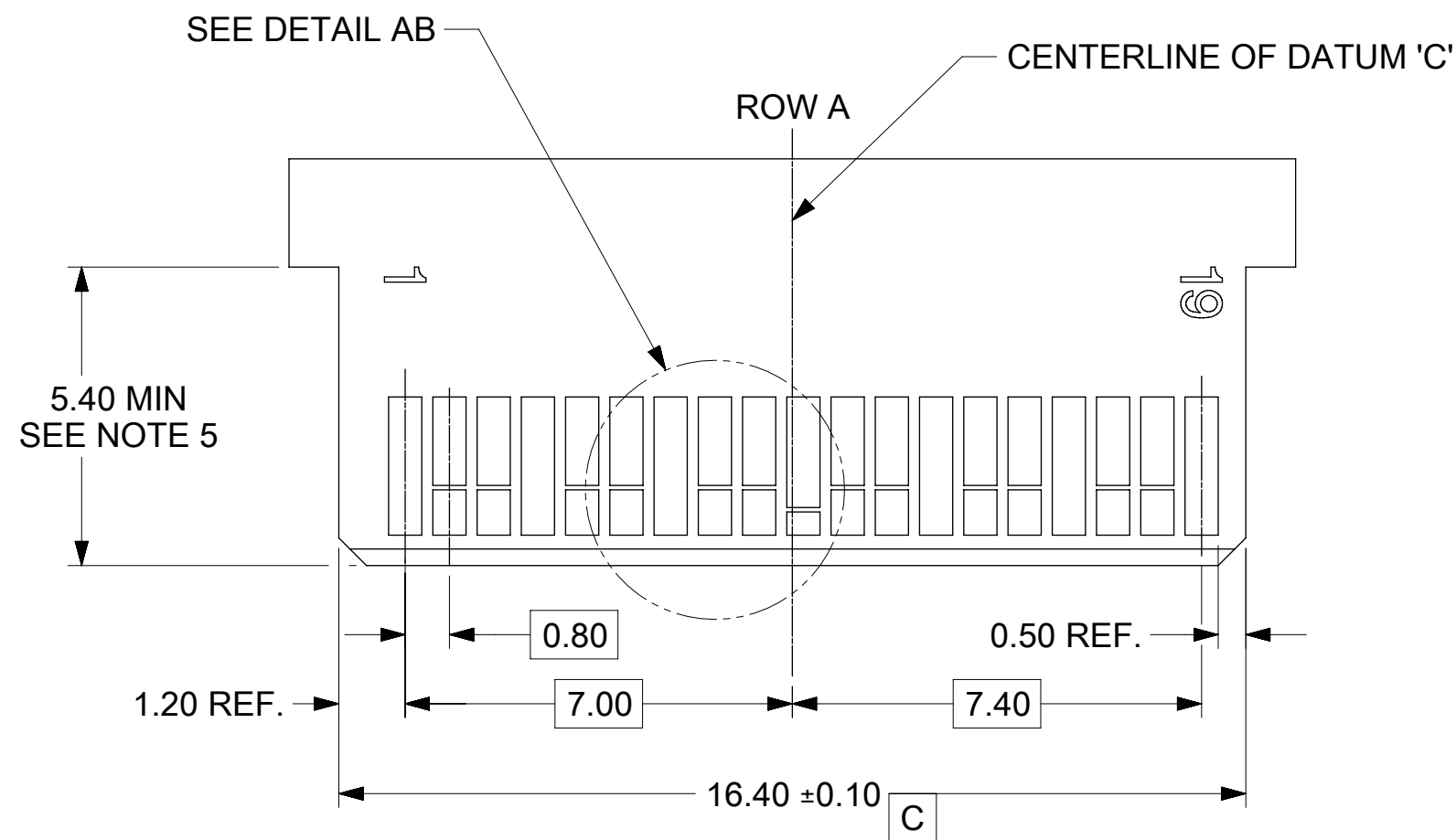
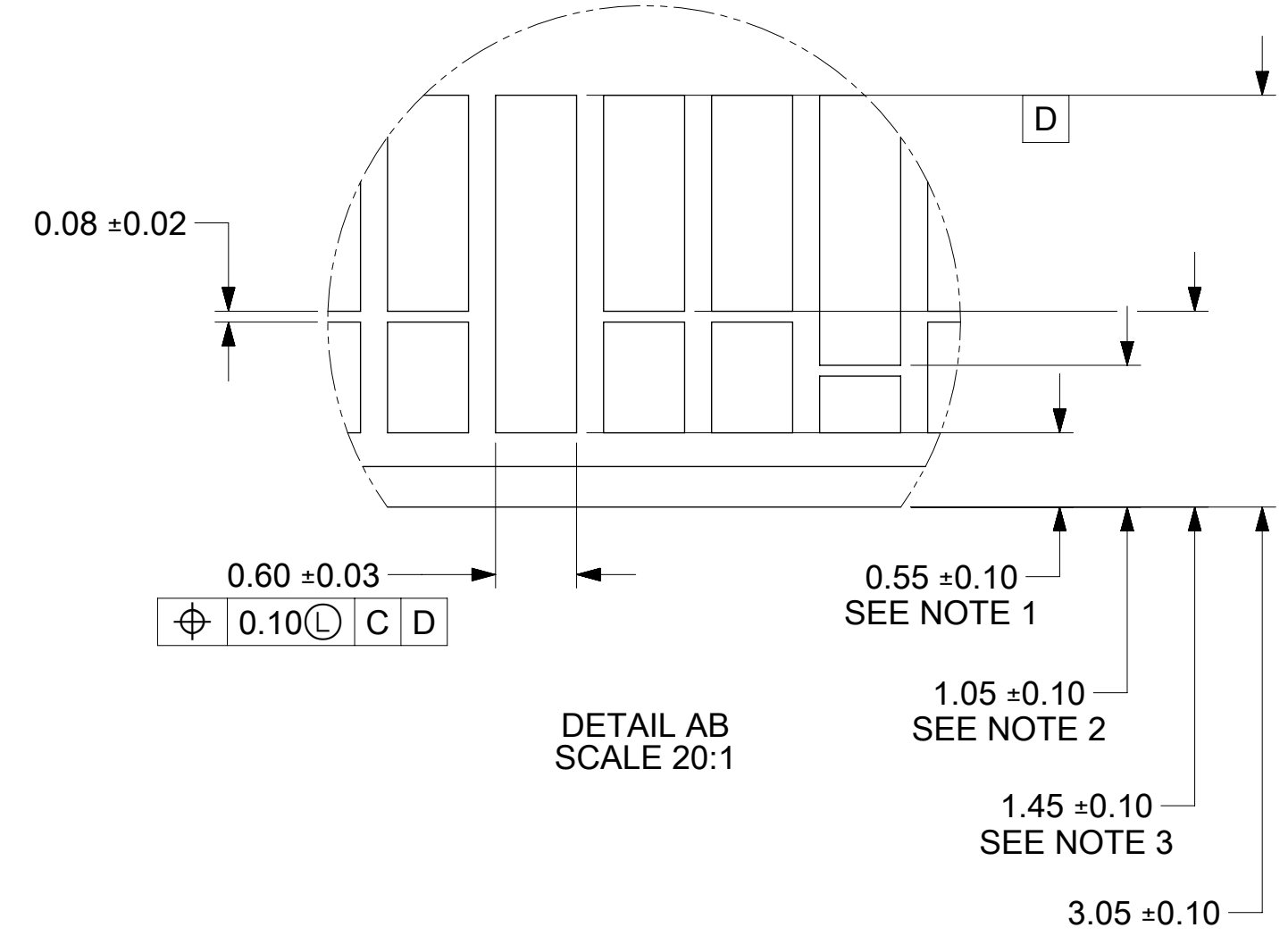
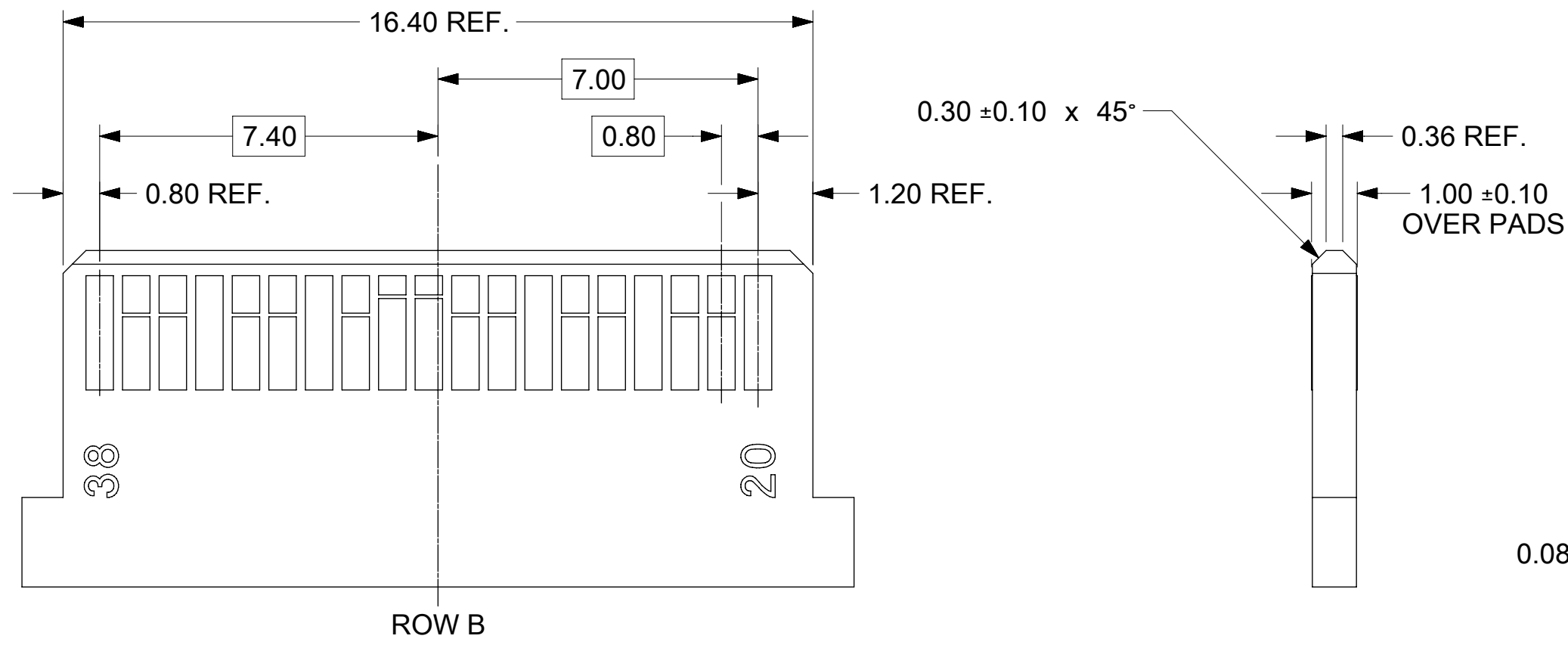
| SYMBOLS         |  | THIS DRAWING CONTAINS INFORMATION THAT IS PROPRIETARY TO MOLEX ELECTRONIC TECHNOLOGIES, LLC AND SHOULD NOT BE USED WITHOUT WRITTEN PERMISSION |   |
|-----------------|--|---|---|
| DIMENSION UNITS | SCALE  | CURRENT REV DESC:   |   |
| $\nabla = 0$    | MM   | 5:1   | EC NO: 685874<br>DRWN: TTAO03 2021/05/21<br>CHK'D: JKACHLIC 2021/11/23<br>APPR: JKACHLIC 2021/11/23 |
| $\nabla = 0$    | GENERAL TOLERANCES (UNLESS SPECIFIED)                |   |   |
| $\nabla = 0$    | ANGULAR TOL $\pm 0.5^\circ$                          |   |   |
| $\nabla = 0$    | 4 PLACES   | $\pm$   | INITIAL REVISION:<br>DRWN: JGONZALEZ01 2010/05/06<br>APPR: JJANTELEZIO 2011/01/27                   |
| $\nabla = 0$    | 3 PLACES   | $\pm$   |   |
| $\nabla = 0$    | 2 PLACES   | $\pm 0.25$  |   |
| $\nabla = 0$    | 1 PLACE  | $\pm 0.38$  | DOCUMENT NUMBER<br><b>SD-170432-002</b>   |
| $\nabla = 0$    | 0 PLACES   | $\pm$   |   |
| $\nabla = 0$    | DRAFT WHERE APPLICABLE MUST REMAIN WITHIN DIMENSIONS |   |   |
| $\nabla = 0$    | THIRD ANGLE PROJECTION                               | DRAWING   | SERIES  |
| $\nabla = 0$    |  | C-SIZE  | 170432  |
|                 |  | MATERIAL NUMBER   | CUSTOMER  |
|                 |  | SEE TABLE   | GENERAL MARKET  |
|                 |  | DOC TYPE  | DOC PART  |
|                 |  | PSD   | 001   |
|                 |  | REVISION  | F1  |
|                 |  | SHEET NUMBER  | 2 OF 4  |

**molex**

ASSEMBLY ZQSFP+  
38 CIRCUIT

PRODUCT CUSTOMER DRAWING

# MODULE BOARD FOOTPRINT RECOMMENDATION



- NOTES:
- PAD CONFIGURATION FOR FIRST MATE.
  - PAD CONFIGURATION FOR SECOND MATE.
  - PAD CONFIGURATION FOR THIRD MATE (HIGH SPEED SIGNALS).
  - FOR PIN ASSIGNMENTS AND MATING SEQUENCE (1ST,2ND,3RD). SEE APPLICABLE SPECIFICATION.
  - MINIMUM STEP REQUIRED IF PCB MADE WIDER THAN CARD TONGUE.

| THIS DRAWING CONTAINS INFORMATION THAT IS PROPRIETARY TO MOLEX ELECTRONIC TECHNOLOGIES, LLC AND SHOULD NOT BE USED WITHOUT WRITTEN PERMISSION |  |            |  |  |                            |                   |                        |                  |  |
|---|--|------------|--|--|----------------------------|-------------------|------------------------|------------------|--|
| SYMBOLS   | DIMENSION UNITS                                      | SCALE      | CURRENT REV DESC:  |  |                            |                   |                        |                  |  |
| $\nabla = 0$  | MM   | 8:1        | EC NO: 685874<br>DRWN: TTAO03 2021/05/21<br>CHK'D: JKACHLIC 2021/11/23<br>APPR: JKACHLIC 2021/11/23<br>INITIAL REVISION:<br>DRWN: JGONZALEZ01 2010/05/06<br>APPR: JJANTELEZIO 2011/01/27 |  |                            |                   |                        |                  |  |
| $\nabla = 0$  | GENERAL TOLERANCES (UNLESS SPECIFIED)                |            |  |  |                            |                   |                        |                  |  |
| $\nabla = 0$  | ANGULAR TOL $\pm 0.5^\circ$                          |            |  |  |                            |                   |                        |                  |  |
| $\nabla = 0$  | 4 PLACES   | $\pm$      |  |  |                            |                   |                        |                  |  |
| $\nabla = 0$  | 3 PLACES   | $\pm$      |  |  |                            |                   |                        |                  |  |
| $\nabla = 0$  | 2 PLACES   | $\pm 0.25$ | PRODUCT CUSTOMER DRAWING<br>DOCUMENT NUMBER: SD-170432-002<br>DOC TYPE: PSD<br>DOC PART: 001<br>REVISION: F1   |  |                            |                   |                        |                  |  |
| $\nabla = 0$  | 1 PLACE  | $\pm 0.38$ |  |  |                            |                   |                        |                  |  |
| $\nabla = 0$  | 0 PLACES   | $\pm$      | THIRD ANGLE PROJECTION<br>   |  |                            | DRAWING<br>C-SIZE |                        | SERIES<br>170432 |  |
| $\nabla = 0$  | DRAFT WHERE APPLICABLE MUST REMAIN WITHIN DIMENSIONS |            | MATERIAL NUMBER<br>SEE TABLE   |  | CUSTOMER<br>GENERAL MARKET |                   | SHEET NUMBER<br>3 OF 4 |                  |  |

**molex**

ASSEMBLY ZQSFP+  
38 CIRCUIT

PRODUCT CUSTOMER DRAWING

SD-170432-002

PSD 001 F1

SEE TABLE GENERAL MARKET 3 OF 4

