

## Cable gland - HC-B-GTRS-M20-ER-AL - 1414656

Please be informed that the data shown in this PDF Document is generated from our Online Catalog. Please find the complete data in the user's documentation. Our General Terms of Use for Downloads are valid (<http://phoenixcontact.com/download>)



Set consisting of: EVO metal adapter 1414256 and metal screw connection with terminal block 1415192, M20



### Key Commercial Data

Packing unit	1 STK
Weight per Piece (excluding packing)	180.0 g
Custom tariff number	85389099
Country of origin	Germany

### Technical data

#### Dimensions

Wrench size, union nut	24 mm
Wrench size, support	24 mm
External cable diameter	6 mm ... 13 mm

#### Ambient conditions

Ambient temperature (operation)	-40 °C ... 100 °C
---------------------------------	-------------------

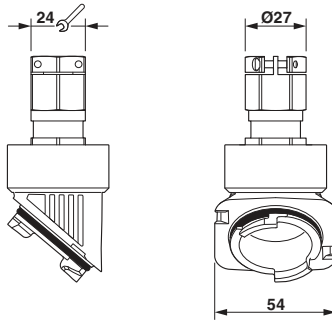
#### General

Type of the screw connection	M20
No. of conductors	1
Cable gland material	Nickel-plated brass
Material, pressure screw	Nickel-plated brass
Shielded	No
Thread type on connection side	Bayonet B plastic

# Cable gland - HC-B-GTRS-M20-ER-AL - 1414656

## Drawings

Dimensional drawing



Dimensional drawing

## Classifications

eCl@ss

eCl@ss 5.1	27143424
eCl@ss 6.0	27261207
eCl@ss 8.0	27149109
eCl@ss 9.0	27144432

ETIM

ETIM 5.0	EC000441
----------	----------

## Approvals

Approvals

---

Approvals

EAC

---

Ex Approvals

---

Approvals submitted

---

Approval details

## Cable gland - HC-B-GTRS-M20-ER-AL - 1414656

### Approvals

EAC
-----