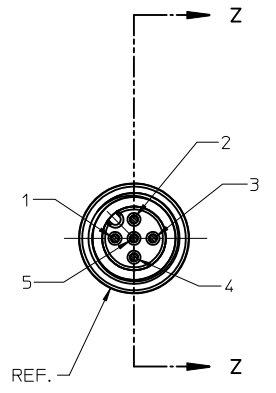
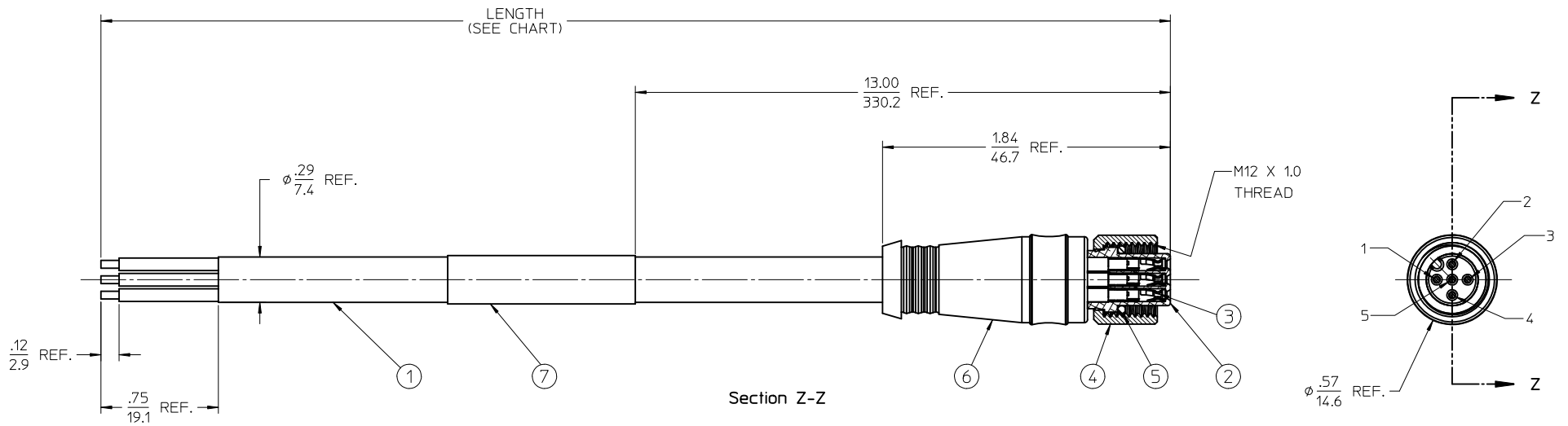
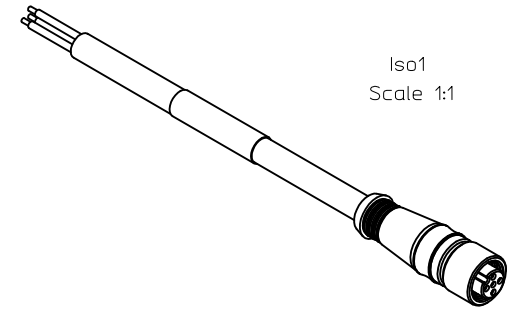


MATERIAL NO.	ENGINEERING NO.	MADE FROM
848547021	84854-7021	1' 8" +1.75"-0 (.5M +45mm-0)
848547022	84854-7022	3' 3" +2.19"-0 (1.0M +56mm-0)
848547023	84854-7023	6' 7" +3.50"-0 (2.0M +89mm-0)
848547024	84854-7024	9' 10" +3.50"-0 (3.0M +89mm-0)
848547025	84854-7025	13' 1" +6.50"-0 (4.0M +165mm-0)
848547026	84854-7026	16' 5" +6.50"-0 (5.0M +165mm-0)
848547027	84854-7027	19' 8" +6.50"-0 (6.0M +165mm-0)



P1	
1	DRAIN
2	RED +V
3	BLACK -V
4	WHITE CAN H
5	BLUE CAN L

- NOTES:
1. MATERIAL: SEE TABLE
 2. FINISHES: SEE TABLE
 3. PACKAGING: SEALED POLY BAGS WITH BAR-CODE LABEL
 4. MATES WITH: MIC 5 POLE DEV-NET RECEPTACLE
 5. ELECTRICAL SPECIFICATIONS:
CURRENT RATING: 4.0 AMPS MAX
 6. PART IS RoHS COMPLIANT

ITEM	QTY.	DESCRIPTION	MATERIAL	FINISH
7	1	LABEL	PLASTIC FILM	YELLOW/BLACK
6	1	OVERMOLD	PVC	GRAY
5	1	O-RING	VITON	RED
4	1	COUPLING NUT	BRASS	NICKEL PLATED
3	5	CONTACT SOCKET	Cu ALLOY	GOLD PLATED
2	1	INSERT, 5 POLE	NYLON	BLACK
1	1	CABLE, 2 PR. SHIELDED, DEV-NET, THIN	PVC JACKET	GRAY

RELEASED
EC NO: MNA2010-0402
DRAWN BY: DRWINSTONE 2010/01/05
CHKD BY: WOODMAN 2010/01/07
APPR: J.MURPHY 2010/01/07

DESCRIPTION

QUALITY SYMBOLS

$\nabla=0$

$\nabla=0$

GENERAL TOLERANCES (UNLESS SPECIFIED)

	mm	INCH
4 PLACES	$\pm .005$	$\pm .0005$
3 PLACES	$\pm .01$	$\pm .001$
2 PLACES	$\pm .03$	$\pm .01$
1 PLACE	$\pm .03$	$\pm .01$

ANGULAR $\pm 1^\circ$

DRAFT WHERE APPLICABLE
MUST REMAIN
WITHIN DIMENSIONS

DIMENSION STYLE
IN/MM

DRAWN BY: R.STONE DATE: 2009/12/28

CHECKED BY: B.WOODMAN DATE: 2010/01/04

APPROVED BY: J.MURPHY DATE: 2010/01/06

MATERIAL NO.
SEE CHART

SIZE
C

SCALE
2:1

DESIGN UNITS
INCH

THIRD ANGLE PROJECTION

TITLE
MIC CABLE ASSEMBLY
FEMALE, 5 POLE
DEV-NET DROP

MOLEX MOLEX INCORPORATED

DOCUMENT NO.
SD-84854-022

SHEET NO.
1 OF 1

THIS DRAWING CONTAINS INFORMATION THAT IS PROPRIETARY TO MOLEX INCORPORATED AND SHOULD NOT BE USED WITHOUT WRITTEN PERMISSION