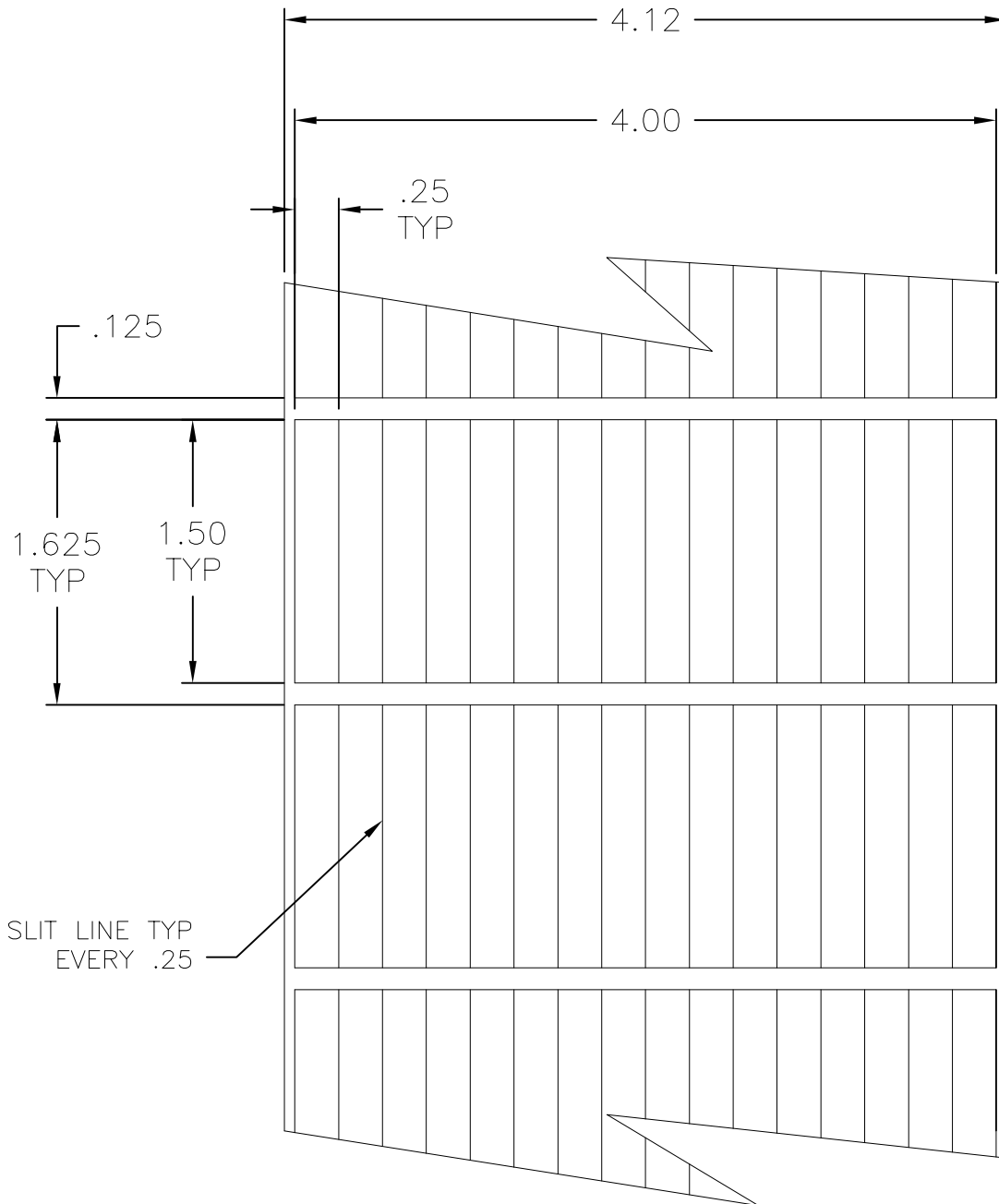


name	date	city, state

NOTES



5000 LABELS PER ROLL
16 ACROSS ON
A 3" CORE

R E V I S I O N	D level	D I M E N S I O N S	Tolerance	P A R T	number	TYHCT-250	phase	PRODUCTION	D R A W I N G	FORMAT AV version N	CAD	ACAD	scale	1X
	date		08/18/06		TOLE RANCES	name	TYHCT-250	computer file number		LA\DTL\3002048_01	previous number			
	by		AAC		.XXXX = ±.0005	material	BLANK THERMAL TRANSFER LABEL	drawn		A.A.C.	checked	K.A.C.	approved	
	ECN #		010467		.XXX = ±.005		250	CONFORMABLE WOVEN NYLON		date	08/17/06	08/29/06		type
part level	A	.XX = ±.01			number		LA3002048DTL							