

4

3

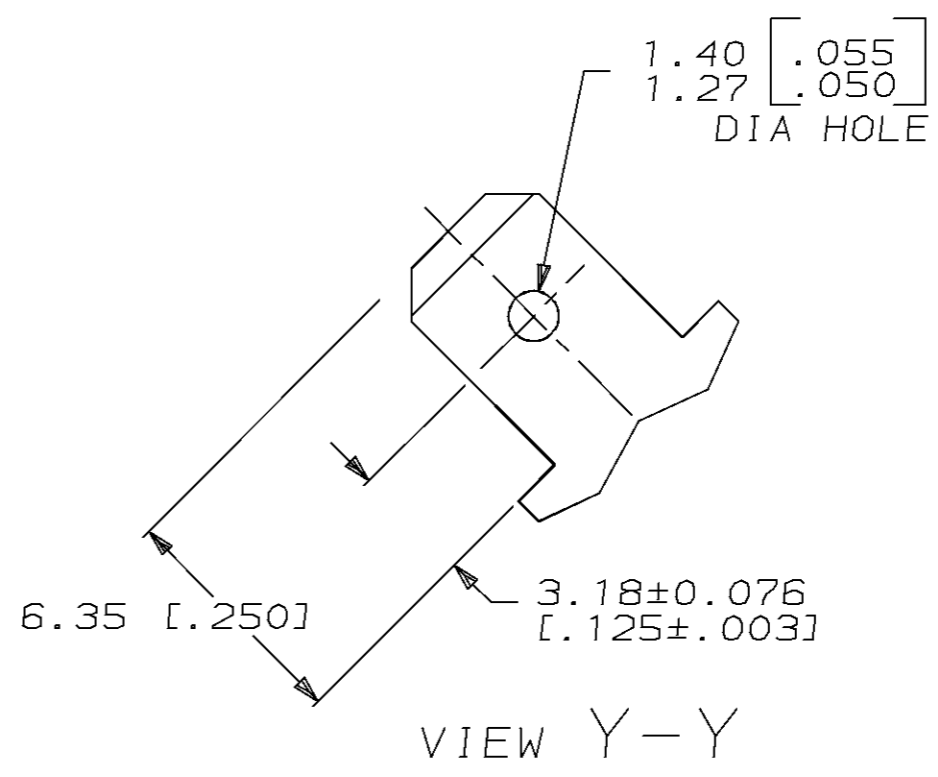
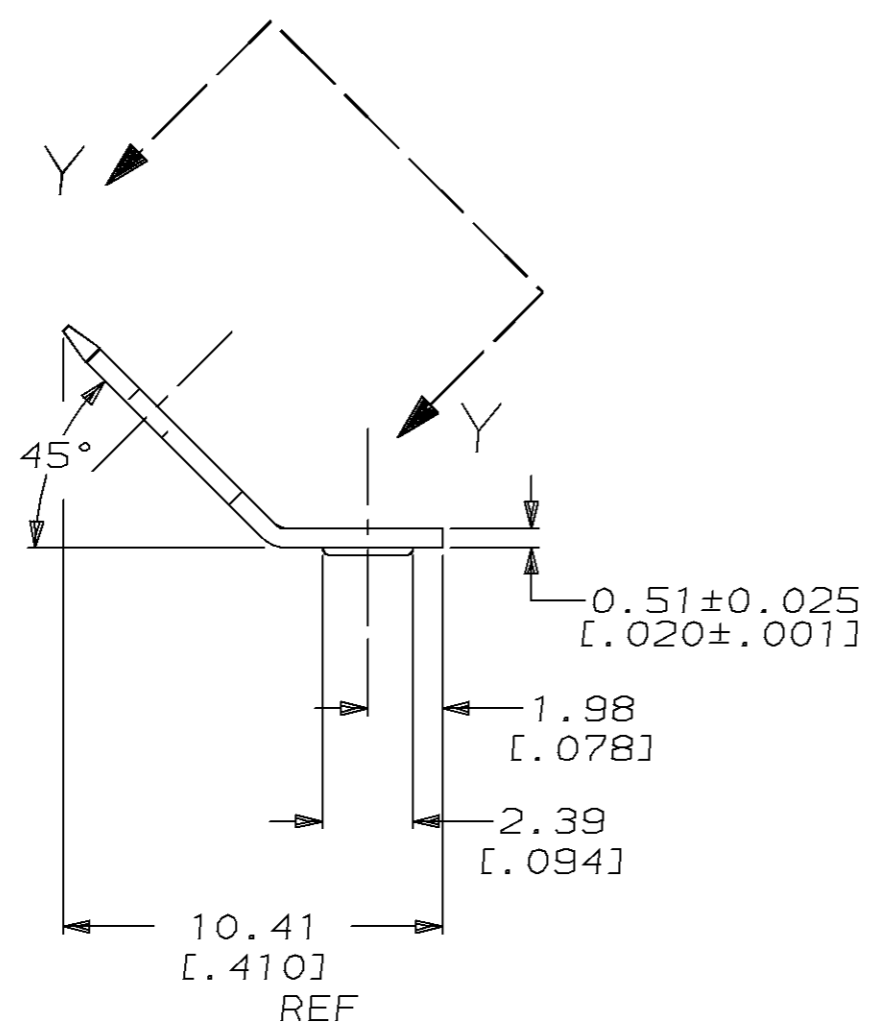
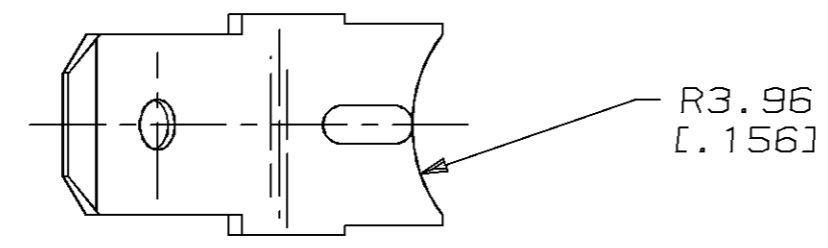
2

1

THIS DRAWING IS UNPUBLISHED. RELEASED FOR PUBLICATION, 19 .
 © COPYRIGHT 19 BY AMP INCORPORATED. ALL RIGHTS RESERVED.

LOC	DIST	REVISIONS				
P	LTR	DESCRIPTION	DATE	DWN	APVD	
AF	50					
	D	REDRAWN PER 0L10-0033-97	1/24/97	JR	JH	

1 SUPPLIED IN LOOSE PIECE.



61960-1
PART NO.

THIS DRAWING IS A CONTROLLED DOCUMENT.		DWN	JR RUTH	1/24/97	AMP AMP Incorporated Harrisburg, PA 17105-3608
DIMENSIONS: MM [INCHES]		CHK	MS FEHER	1/24/97	
TOLERANCES UNLESS OTHERWISE SPECIFIED:		APVD	J HUZVAR	1/24/97	
	0 PLC ±-	PRODUCT SPEC		NAME	
	1 PLC ±-	-		TAB, FASTON, 4.75 [.187] SERIES	
	2 PLC ±0.38 [.015]	APPLICATION SPEC		SIZE	
	3 PLC ±-	-		CAGE CODE	
	4 PLC ±-	WEIGHT		DRAWING NO	
	ANGLES ±-	-		A3 00779 C-61960	
MATERIAL	T3 STEEL	FINISH		SCALE	
		0.00381 [.000150] MIN NICKEL		5:1	
CUSTOMER DRAWING				SHEET	1 OF 1
				REV	D