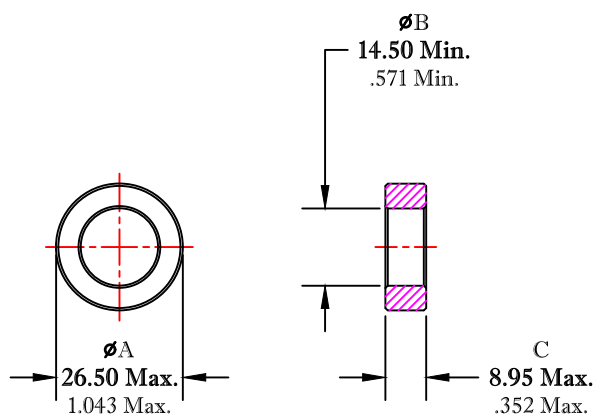


\*\* Not all features are shown in this drawing. For more detailed information, please contact your Fair-Rite representative.

UNCONTROLLED ~CATALOG~ DRAWING

SIZE	PART NO.	REV.
B	5977001421	~



AFTER COATING

DIMENSIONS  
**BOLD NUMBERS ARE IN MILLIMETERS**  
 LIGHT NUMBERS ARE IN INCHES

ELECTRICAL SPECIFICATIONS						
$\Sigma l/A(\text{mm}^{-1})$	$l_e$ (mm)	$A_e$ (mm <sup>2</sup> )	$V_e$ (mm <sup>3</sup> )	$L_o$ (nH)	$A_L$ (nH) @10kHz <10gauss	$\tan \delta/\mu$ @100kHz <1gauss
1.5608	61.7	39.5	2439	0.805	1600 <sup>+20%</sup> / <sub>-25%</sub>	$\leq 30 \times 10^{-6}$

NOTES:

- 1 - THIS PART TO BE THERMOSET PLASTIC COATED, USE APPROVED FR# 5977001401.
- 2 - COATED TOROID TO WITHSTAND A MINIMUM BREAKDOWN VOLTAGE OF 1000 Vrms, WHEN UNIFORMLY APPLIED ACROSS THE 'C' DIMENSION.
- 3 - COATING THICKNESS = 0.25mm (.010") Max.

FR# 77

<b>FAIR-RITE PRODUCTS CORP.</b>						
TITLE COATED TOROID						
DRAWN BY J.SERENCISCS	DATE 07-18-2018	SIZE	PART NO.	REV.		
CHKD BY		B	5977001421	~		
APPRVD BY		SCALE	NONE	SHEET	1 of 1	