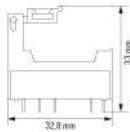


## TERMSERIES RSS PCB

**Weidmüller Interface GmbH & Co. KG**  
Klingenbergstraße 16  
D-32758 Detmold  
Germany  
Fon: +49 5231 14-0  
Fax: +49 5231 14-292083  
www.weidmueller.com



TERMSERIES accessories include:

- Spare relay
- Base
- Partition plates
- Cross-connections
- Power-feed modules

### General ordering data

Type	RSS PCB
Order No.	<a href="#">7760056258</a>
Version	TERMSERIES, No. of contacts: 1 CO contact, Continuous current: 6 A, Solder connection
GTIN (EAN)	6944 169685842
Qty.	100 pc(s).

**TERMSERIES**  
**RSS PCB**

**Weidmüller Interface GmbH & Co. KG**  
 Klingenbergstraße 16  
 D-32758 Detmold  
 Germany  
 Fon: +49 5231 14-0  
 Fax: +49 5231 14-292083  
 www.weidmueller.com

**Technical data****Dimensions and weights**

Width	6.2 mm	Width (inches)	0.244 inch
Height	32.8 mm	Height (inches)	1.291 inch
Depth	33 mm	Depth (inches)	1.299 inch
Net weight	2.9 g		

**Temperatures**

Operating temperature, max.	70 °C	Operating temperature, min.	-40 °C
Storage temperature, max.	70 °C	Storage temperature, min.	-40 °C
Operating temperature	-40 °C...70 °C	Storage temperature	-40 °C...70 °C

**Output**

Rated switching voltage	250 V AC	Max. switching voltage, AC	300 V
Continuous current	6 A		

**Contact data**

Contact type	1 CO contact
--------------	--------------

**General data**

Colour	Black
--------	-------

**Insulation coordination**

Dielectric strength input – output	4 kV <sub>eff</sub> / 1 s
------------------------------------	---------------------------

**Connection data**

Wire connection method	Solder connection
------------------------	-------------------

**Classifications**

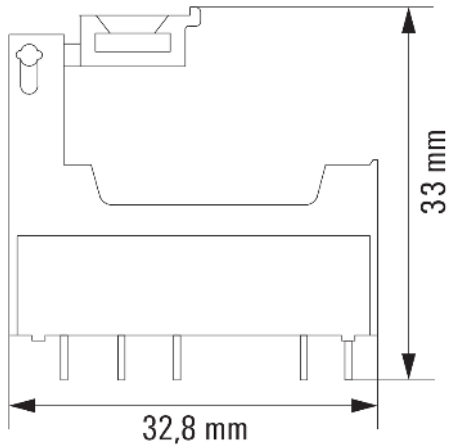
ETIM 6.0	EC001456	eClass 9.1	27-37-16-03
----------	----------	------------	-------------

**Approvals**

ROHS	Conform
------	---------

**TERMSERIES  
RSS PCB**

**Weidmüller Interface GmbH & Co. KG**  
Klingenbergstraße 16  
D-32758 Detmold  
Germany  
Fon: +49 5231 14-0  
Fax: +49 5231 14-292083  
www.weidmueller.com

**Drawings****Dimensional drawing****Dimensional drawing**