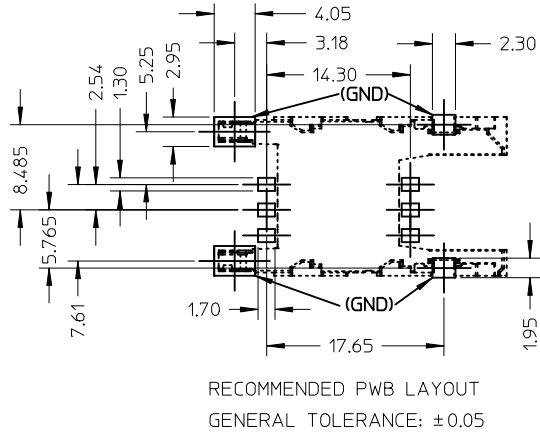
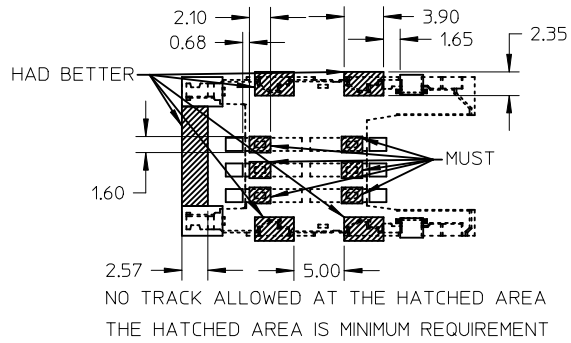


- NOTES:
- MATERIALS:
 - HOUSING: LIQUID CRYSTAL POLYMER
 - TERMINAL: COPPER ALLOY
 - NAIL: COPPER ALLOY
 - EXTRA NAIL: STAINLESS STEEL
 - SHELL: STAINLESS STEEL
 - FINISHES:
 - TERMINALS:
 - CONTACT AREA: 1.27-6.0um NICKEL UNDERPLATE ALL OVER WITH 0.3um MIN GOLD PLATING
 - SOLDERTAILS: 1.27-6.0um NICKEL UNDERPLATE ALL OVER WITH 2um MIN TIN PLATING
 - SHELL: NON-PLATED
 - NAILS: 2.0-6.0um NICKEL UNDERPLATE ALL OVER WITH GOLD FLASH OVERALL
 - EXTRA NAILS: 2.0-6.0um NICKEL UNDERPLATE ALL OVER WITH 2um MIN TIN PLATING ALL OVER
 - MOUNT SURFACE COPLANARITY FOR ALL TAILS: 0.10MAX.
 - DATE CODE: YY-YEAR MM-MONTH DD-DATE
 - INITIAL LOCKING FORCE SHOULD BE 10N MAX., UNLOCKING FORCE SHOULD BE 3~10N

PROPOSAL EC NO: SH2008-0653 DRW: LLIU10 CHK: YI ZHU APPR: HWMANG 2008/09/17 2008/09/17 2008/10/08	QUALITY SYMBOLS	GENERAL TOLERANCES (UNLESS SPECIFIED)		DIMENSION STYLE	SCALE	DESIGN UNITS	THIRD ANGLE PROJECTION
	▽=0 ◻=0	mm	INCH	MM ONLY	2:1	METRIC	
		4 PLACES ± --- ± ---	3 PLACES ± --- ± ---	DRAWN BY	DATE	TITLE	
		2 PLACES ± 0.25 ± ---	1 PLACE ± 0.3 ± ---	LLIU10	2008/03/14	HINGED SIM SOCKET (SHIELDED TYPE)	
	ANGULAR ± 3 °	DRAFT WHERE APPLICABLE MUST REMAIN WITHIN DIMENSIONS		CHECKED BY	DATE	MOLEX INCORPORATED	
				APPROVED BY	DATE	MOLEX INCORPORATED	
				MATERIAL NO.	DOCUMENT NO.	SHEET NO.	
				1050390001	SD-105039-001	1 OF 2	
				THIS DRAWING CONTAINS INFORMATION THAT IS PROPRIETARY TO MOLEX INCORPORATED AND SHOULD NOT BE USED WITHOUT WRITTEN PERMISSION			



PROPOSAL EC NO: SH2008-0653 DRW: LLIU10 2008/09/17 CHKD: YLZHU 2008/09/17 APPR: HWANG 2008/10/08 A	QUALITY SYMBOLS ▽=0 ◻=0	GENERAL TOLERANCES (UNLESS SPECIFIED) <table border="1"> <thead> <tr> <th></th> <th>mm</th> <th>INCH</th> </tr> </thead> <tbody> <tr> <td>4 PLACES</td> <td>± ---</td> <td>± ---</td> </tr> <tr> <td>3 PLACES</td> <td>± ---</td> <td>± ---</td> </tr> <tr> <td>2 PLACES</td> <td>± 0.25</td> <td>± ---</td> </tr> <tr> <td>1 PLACE</td> <td>± 0.3</td> <td>± ---</td> </tr> <tr> <td colspan="3">ANGULAR ± 3 °</td> </tr> </tbody> </table>		mm	INCH	4 PLACES	± ---	± ---	3 PLACES	± ---	± ---	2 PLACES	± 0.25	± ---	1 PLACE	± 0.3	± ---	ANGULAR ± 3 °			DIMENSION STYLE MM ONLY	SCALE 1:1	DESIGN UNITS METRIC	THIRD ANGLE PROJECTION
		mm	INCH																					
	4 PLACES	± ---	± ---																					
	3 PLACES	± ---	± ---																					
2 PLACES	± 0.25	± ---																						
1 PLACE	± 0.3	± ---																						
ANGULAR ± 3 °																								
		DRAFT WHERE APPLICABLE MUST REMAIN WITHIN DIMENSIONS	DRAWN BY LLIU10	DATE 2008/03/14	TITLE HINGED SIM SOCKET (SHIELDED TYPE)																			
			CHECKED BY	DATE	MOLEX INCORPORATED																			
			APPROVED BY	DATE	MATERIAL NO. 1050390001	DOCUMENT NO. SD-105039-001																		
			SIZE A3	THIS DRAWING CONTAINS INFORMATION THAT IS PROPRIETARY TO MOLEX INCORPORATED AND SHOULD NOT BE USED WITHOUT WRITTEN PERMISSION																				
						SHEET NO. 2 OF 2																		