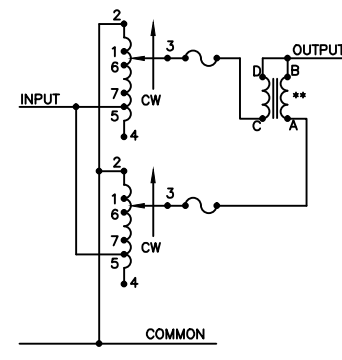


SCHEMATIC
 THREE PHASE OPEN DELTA AND SINGLE PHASE SERIES. FUSE RECOMMENDED BUT NOT SUPPLIED



SCHEMATIC
 SINGLE PHASE PARALLEL FUSE RECOMMENDED BUT NOT SUPPLIED

NOTE:
 UNIT IS SUPPLIED WITH A 7.00 [177.8] DIA. 0-100 GRADUATED DIAL PLATE FOR PANEL MOUNTING.

OPTIONAL TERMINALS FOR PUSH ON OR SOLDER CONNECTIONS (.032 X .250) [0.8 X 6.4]

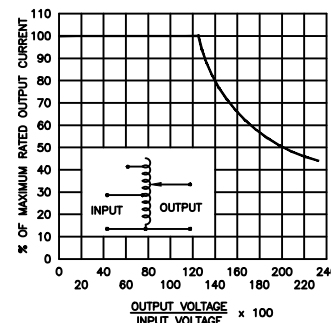
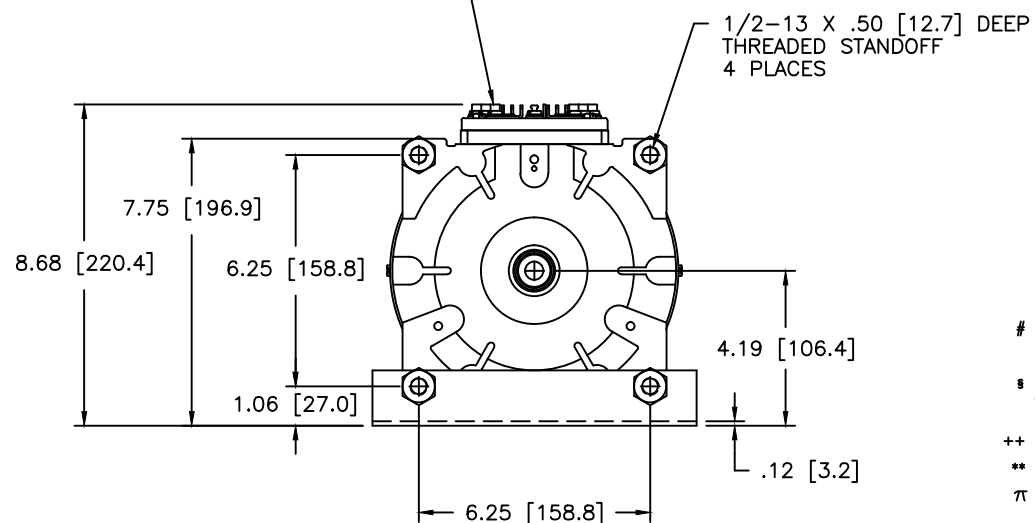


FIGURE A
 MAXIMUM OUTPUT CURRENT OF ANY DUAL INPUT VOLTAGE OR VOLTAGE DOUBLER UNIT OPERATED AT LOWER INPUT VOLTAGE.

MAXIMUM OUTPUT CURRENT IN OUTPUT VOLTAGE RANGE FROM 0 TO 25% ABOVE LINE VOLTAGE. AT HIGHER OUTPUT VOLTAGES, THE OUTPUT CURRENT MUST BE REDUCED ACCORDING TO THE DERATING CURVE FIGURE A.

§ MAXIMUM KVA AT MAXIMUM OUTPUT VOLTAGE AND CORRESPONDING DERATED OUTPUT CURRENT. MAXIMUM KVA FOR LOWER VOLTAGES MAY BE CALCULATED FROM DERATING CURVE FIGURE A.

++ LINE TO LINE VOLTAGE.

** REQUIRES ONE 52LAC PARALLELING CHOKE (NOT SUPPLIED).

† IF GANGED UNITS ARE USED IN A SYSTEM THAT ORDINARILY HAS A COMMON NEUTRAL OR GROUND BETWEEN SOURCE AND LOAD, THE NEUTRAL OR GROUND MUST BE CONNECTED TO THE COMMON TERMINALS OF THE VARIABLE TRANSFORMER ASSEMBLY. IF THE SYSTEM HAS NO NEUTRAL, THE LOAD MUST BE BALANCED OR THE TRANSFORMER WILL BE DAMAGED.

■ JUMPER PROVIDED IN STANDARD COMMON POSITION AND SHOULD BE MOVED OR REMOVED AS REQUIRED.

SPECIFICATIONS											
WIRING	INPUT		OUTPUT				SHAFT ROTATION TO INCREASE VOLTAGE	TERMINAL CONNECTIONS			
	VOLTS	HERTZ	VOLTS	CONSTANT CURRENT LOAD		CONSTANT IMPEDANCE LOAD		FOR INCREASING VOLTAGE AS FROM BASE END ■			
				MAX. AMPS	MAX. KVA	MAX. AMPS		MAX. KVA	INPUT	JUMPER	OUTPUT
SINGLE PHASE PARALLEL **	240	50/60	0-240	20	4.80	26	6.20	CW	2-2,4-4	—	4-B
			0-280	20	5.60	—	—	CCW	2-2,4-4	—	2-B
	120	50/60	0-280	20#	2.40 §	—	—	CW	1-1,4-4	—	4-B
			0-280	20#	2.40 §	—	—	CCW	5-5,2-2	—	2-B
SINGLE PHASE SERIES	480	50/60	0-480	10	4.80	13	6.24	CW	2-2	4-4	3-3
			0-560	10	5.60	—	—	CCW	4-4	2-2	3-3
	240	50/60	0-560	10#	2.40 §	—	—	CW	1-1	4-4	3-3
			0-560	10#	2.40 §	—	—	CCW	5-5	2-2	3-3
THREE PHASE OPEN DELTA †	240	50/60	0-240	10	4.20	13	5.40	CW	7-7	4-4	3-3
			0-280	10	4.85	—	—	CCW	2-4-2	4-4	3-4-3
	120	50/60	0-280	10#	2.10 §	—	—	CW	1-4-1	4-4	3-4-3
			0-280	10#	2.10 §	—	—	CCW	5-2-5	2-2	3-2-3

UNLESS OTHERWISE SPECIFIED, TOLERANCE IS ± DECIMALS OF .005 INCHES ANGLES DIMENSIONS ARE IN [INCHES]
 DIMENSIONS APPLY AFTER PLATING
 MATERIAL: ALL DIMENSIONS APPLY AFTER PLATING
 TITLE: SPEC. CONTROL DRAWING VARIABLE TRANSFORMER MODEL: 2520C-2
 DRAWN BY: T.SNAY DATE: 2/10/05 FIRST USED ON: 2/10/05 DO NOT SCALE DIMS.
 CHECKED BY: R.SHORE DATE: 1/5/05 WEIGHT APPROX: 50 LBS. QUOTE CODE: 6.52008 DWG. NO.:
 ENGINEER: F.SEALE DATE: 1/5/05 SCALE: .50=1 SHEET 1 OF 1 D 031-5514
STACO ENERGY PRODUCTS CO.
 A Continental Corporation of America Company
 214 South Boulevard, Dayton, Ohio 45403-0001