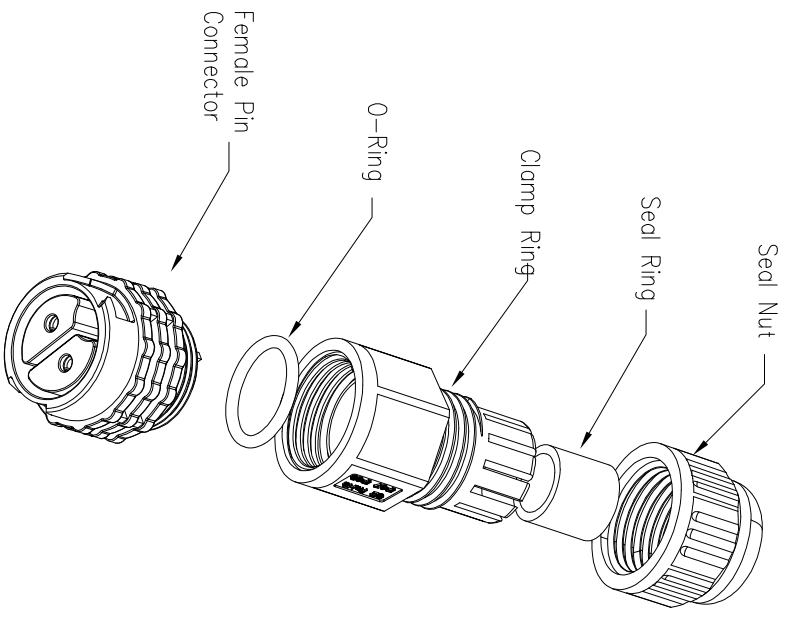
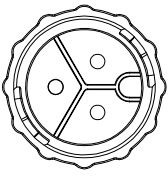
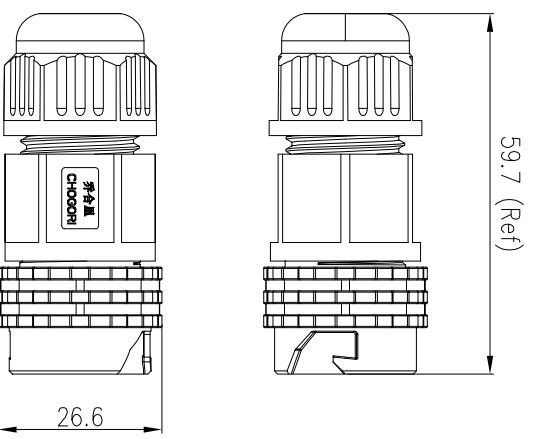
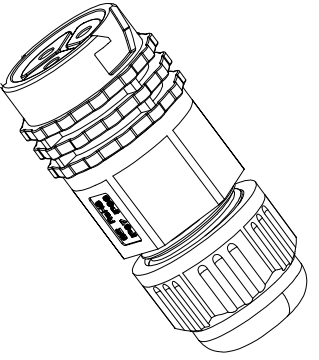


REV.	EN. NO.	DESCRIPTION	SIGN	DATE
C1	N/A	INITIAL DRAWING	Liu	2019/08/13



24XXX431-XX Cable Range OD  
 01 OD:  $\phi 3.5\text{mm} \sim \phi 6.8\text{mm}$   
 02 OD:  $\phi 6.8\text{mm} \sim \phi 10.5\text{mm}$   
 Pin Number

2 Pin	3 Pin
P/N: 24002431-02	P/N: 24003431-02
Pin Assignments Front View	



- Specification:
1. Operation Temperature:  $-45^{\circ}\text{C} \sim 105^{\circ}\text{C}$ .
  2. Insulation Resistance:  $100\text{M}\Omega$  at DC500V.
  3. Contact Resistance:  $<10\text{m}\Omega$ .
  4. Withstand Voltage: 2000V AC
  5. Operating Current: 20A
  6. Operating Voltage: AC 300V
  7. Waterproof Rate: IP67 (Mated)
  8. Seal Nut: Nylon, Black
  9. Seal Ring: Silicon, Black.
  10. Clamp Ring: Nylon, Black
  11. O-Ring: Silicon, Red
  12. Female Pin: Copper Alloy, Gold Plated
  13. Connector: Nylon+GF, Black
  14. RoHS Compliant.
  15. UL Compliant.
  16. Mating Cap: 806-00068-00

UNIT: mm 		DESCRIPTION Large Series Push Lock Female Plug With Female Pin		PART NO 24XXX431-XX		DRAWN BY Liu		DATE 2019/08/13			
TOLERANCE X .XX .XXX ANGLES $\pm 0.25$ $\pm 0.15$ $\pm 0.05$ $\pm 1^{\circ}$		SCALE 1:1		SHEET 1 OF 1		DWG NO CUSTOMER		CHECKED BY Mo		DATE 2019/08/13	
REV C1		SIZE A4		* : Inspection Item		APPROVED BY Panson		DATE 2019/08/13			

**CHOGORI**