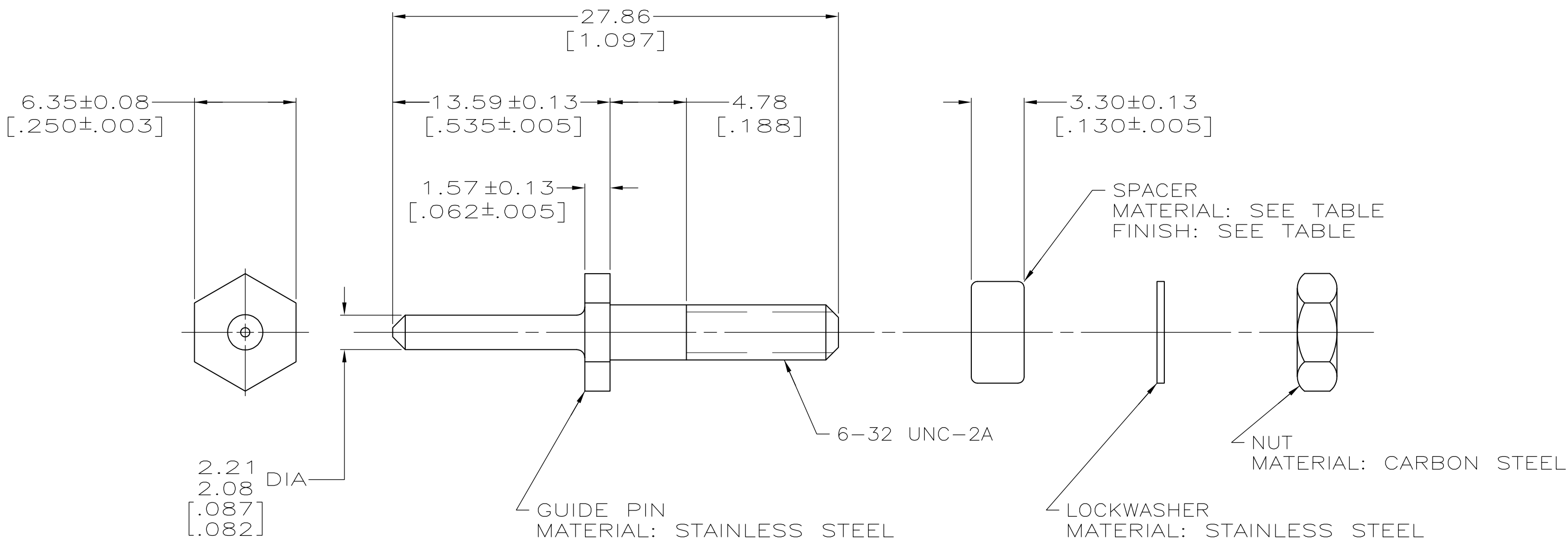


THIS DRAWING IS UNPUBLISHED. RELEASED FOR PUBLICATION  
 © COPYRIGHT BY TYCO ELECTRONICS CORPORATION. ALL RIGHTS RESERVED.

LOC	DIST	REVISIONS			
P	LTR	DESCRIPTION	DATE	DWN	APVD
FT	0	T	REVISED PER ECO-10-021995	12JAN11	HMR MG



1	STAINLESS STEEL	YES	202173-8
-	-	NO	202173-7
2	BRASS	YES	202173-6
1	STAINLESS STEEL	YES	202173-5
-	-	NO	202173-1
FINISH		MATERIAL	
SPACER			PART NUMBER

SUPERSEDED BY 202173-8

SUPERSEDED BY 202173-7

- 1 PASSIVATED.
- 2 2.54um [.000100] MIN ZINC WITH HEXAVALENT CHROMIUM.

DIMENSIONS:		TOLERANCES UNLESS OTHERWISE SPECIFIED:		DWN		Tyco Electronics		Tyco Electronics Corporation		
mm	[INCHES]	PLC	±	CHK	DATE	NAME	Harrisburg, Pa 17105-3608			
		0	± -	R.STONE	31 AUG 95	G.STEINHAUER	GUIDE PIN KIT, UNASSEMBLED, M SERIES			
		1	± -	APVD	05 OCT 95	PRODUCT SPEC	SIZE	CAGE CODE	DRAWING NO	RESTRICTED TO
		2	± 0.38 [.015]	-		APPLICATION SPEC	A3	00779	C-202173	-
		3	± -	-		WEIGHT	-		-	
		4	± -	-		CUSTOMER DRAWING		SCALE	SHEET	REV
		ANGLES	± -	-		-		4:1	1 OF 1	T
		FINISH	-	-		-		-		
MATERIAL		SEE CALLOUTS		-		-		-		