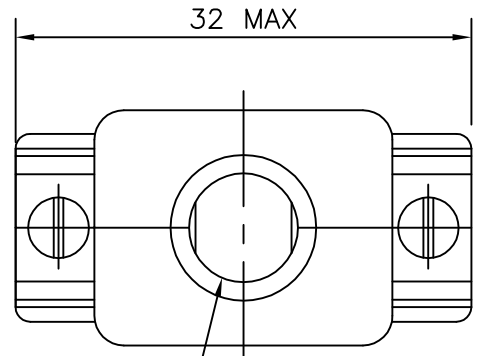
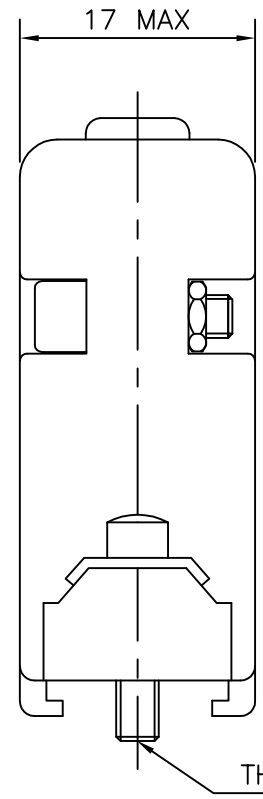
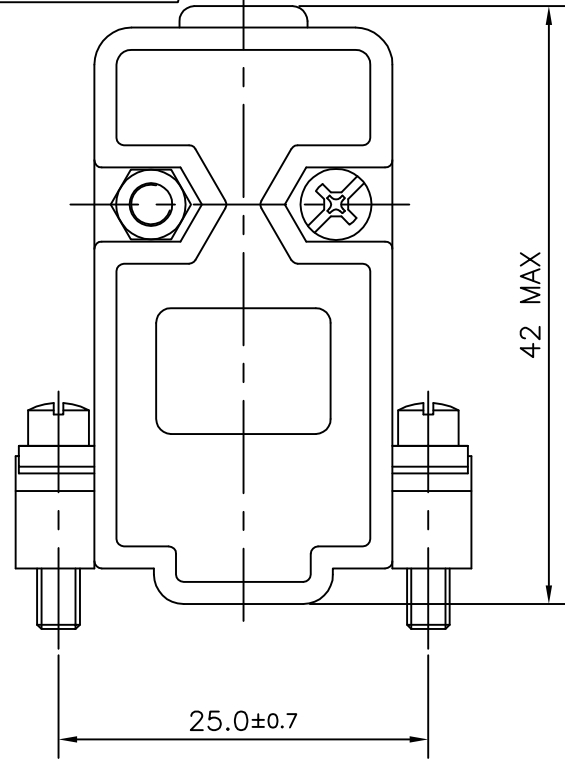


2	8630-CH09UNCLF	UNC 440
1	8630-CH09M3LF	M3
SL.NO.	PART NO:	THREAD



CABLE ENTRY  $\phi 7.5$  MAX



Amphenol FCI

© 2016 AFCI

"This LF product meets European Union Directives and other country regulations as described in GS-47-0004"

Packaging as per GS-14-920

MATERIALS:  
 1.ABS UNFILLED UL 94 HB (STANDARD)  
 2.TEMP RANGE -55°C TO +85°C

mat'l. code				surface		tolerance		projection		product family			
-				ISO 1302		ISO 406 ISO 1101				D-SUB			
-				<input checked="" type="checkbox"/>		<input type="checkbox"/>				D-SUB			
ltr	ecn no	dr	date	tolerances unless otherwise specified						title			
H	ELX-I-25452	GREGAR	2016-11-25	angles	linear		mm		CONNECTOR HOOD 9 POS				
				0°±1'			scale NTS						
				dr	MINI K VANDANATH	1995-03-24	Amphenol FCI		dwg no		sheet 1 of 1	size	
				enr	MITHUN PAUL	2016-11-25			C-DSUB-0022			A4	
				chr	GREGAR MATHEW	2016-11-25			type Product Customer Drawing				
				appd	BIJU K PAUL	2016-11-25							
sheet index	revision sheet	H	1										