

# TDP142 Evaluation Module

---



---



---

This document describes how to use the TDP142 evaluation module (EVM). Throughout this user's guide, the abbreviation EVM and the term evaluation module are synonymous with the TDP142EVM, unless otherwise noted.

## Contents

1	TDP142EVM Overview .....	2
2	TDP142EVM Features .....	3

## List of Figures

1	TDP142 Block Diagram .....	2
2	TDP142EVM Board .....	3
3	TDP142EVM Between Notebook and DP Monitor .....	4
4	TDP142 Between Dock and DP Monitor .....	4

## List of Tables

1	Board Power Configuration.....	4
2	EQ and Gain Configuration.....	5

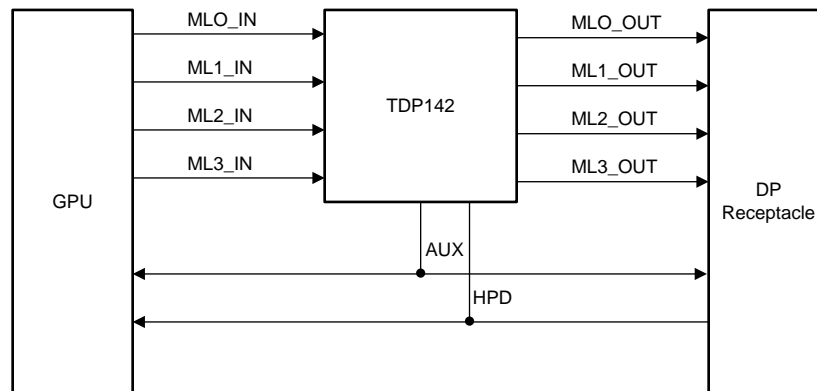
## Trademarks

Total Phase, Aardvark are trademarks of Total Phase, Inc.  
 USB Type-C is a trademark of USB Implementers Forum, Inc.  
 DisplayPort is a trademark of VESA.

## 1 TDP142EVM Overview

The TDP142EVM is designed to evaluate the TDP142 device at a system level using a standard DisplayPort™ (DP) connection. The EVM provides standard DP connectors which can be used to connect to a DisplayPort source or sink systems, to evaluate the TDP142 settings. PCB design files can be provided, upon request, to aid in PCB design with the TDP142 device. The layout files can be used as a guideline to implement the device, with illustrations of the routing and placement rules. The EVM design may include test components for evaluation purposes, but not applicable for production.

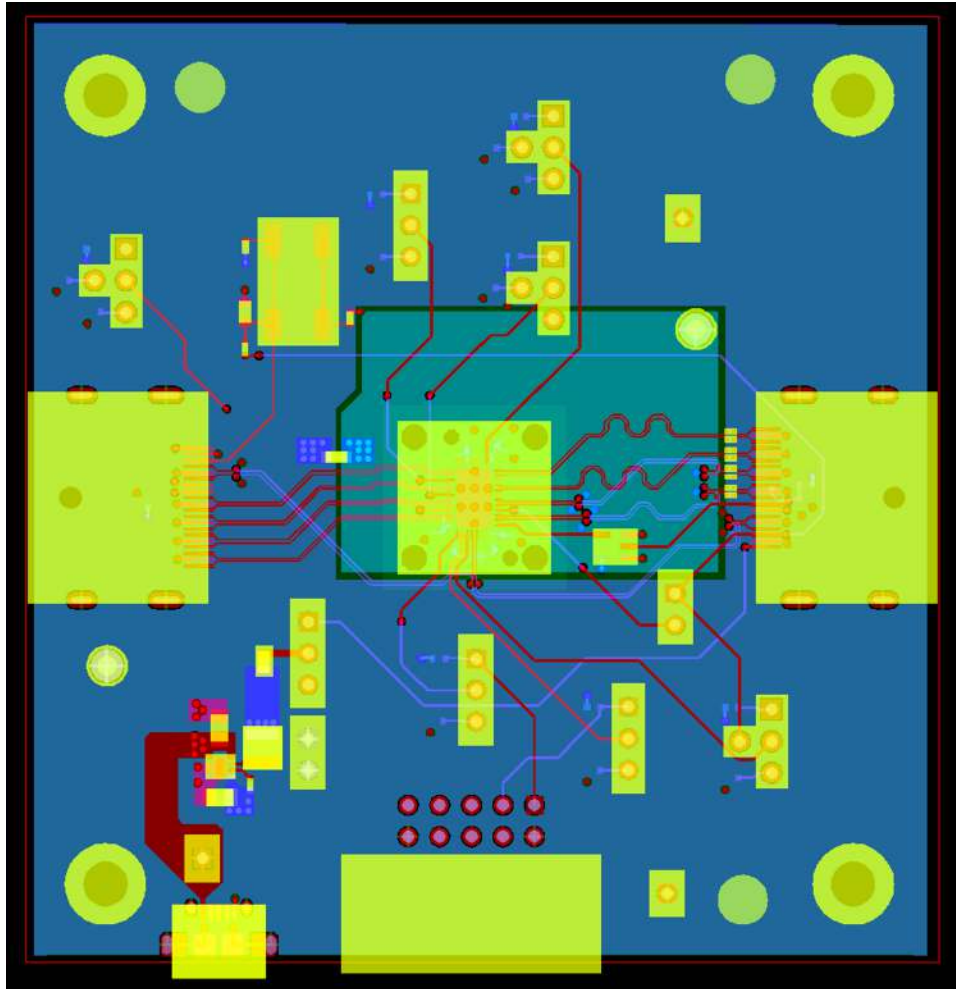
Figure 1 shows the EVM block diagram.



Copyright © 2017, Texas Instruments Incorporated

**Figure 1. TDP142 Block Diagram**

The EVM can be configured to operate in either GPIO or I<sup>2</sup>C mode (see [Figure 2](#)). In GPIO mode, test headers are provided to configure the input pins for the equalizer (EQ) gain and Voltage Out Differential (VOD) settings. In I<sup>2</sup>C mode, the I<sup>2</sup>C can be accessed through a 2 × 5 test header pinned out to match the Total Phase™ Aardvark™ I2C programming module.



**Figure 2. TDP142EVM Board**

## 2 TDP142EVM Features

### 2.1 Power

#### 2.1.1 Board Power

The EVM operates using the 5-V VBUS from the Micro AB USB connection (J13). If users do not wish to use a USB external power supply, either 5 V or 3.3 V can be provided using the test headers onboard: 5 V through TP3, 3.3 V through J11. It is important that only one power source is used, do not connect multiple sources at the same time.

### 2.1.2 DP Power

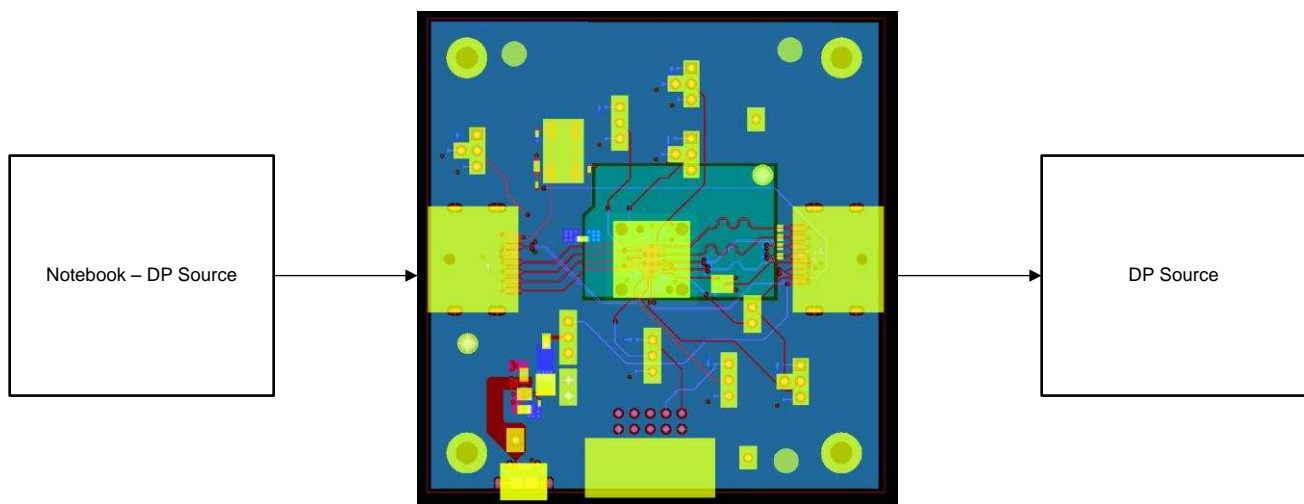
The DP power (PWR) can be passed through from the DP input connected through J9, or tied directly to 3P3V on the board. See [Table 1](#) for DP PWR configuration through J12.

**Table 1. Board Power Configuration**

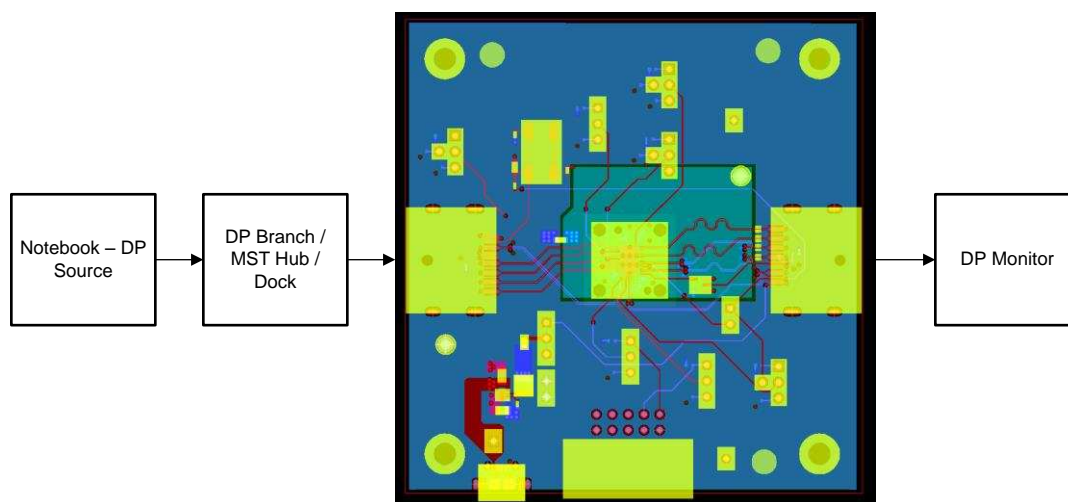
Reference Number	Name	Default Configuration	Description
J11	3P3V	Open	Provided in case power will be provided externally
J12	DP_PWR	Pin 2 - 3	Configures the source for DP_PWR. Default is to use the DP_PWR input from J9.

### 2.2 Connectors

The EVM has two standard DisplayPort connectors: J9 and J10. J9 is intended to be connected to a DP source, and J10 to a DP sink. [Figure 3](#) and [Figure 4](#) show example configurations. The connection between the DP Source and DP Branch/Dock does not have to be through a DisplayPort cable, it can be through other cable connections such as USB Type-C™.



**Figure 3. TDP142EVM Between Notebook and DP Monitor**



**Figure 4. TDP142 Between Dock and DP Monitor**

### 2.3 EQ and Gain Test Configuration Headers

The TDP142 settings are configurable through the test configuration headers provided on the board. [Table 2](#) summarizes the configuration settings. See the TDP142 data sheet for the details on the device operation in different settings.

**Table 2. EQ and Gain Configuration**

Reference Number	Signal Name	Default Configuration	Description
J1	DRV_PK#	Low – enable DRV	Disable and enable driver peaking
J2	I2C_EN	Open – GPIO mode	Configures device to operate in I <sup>2</sup> C or GPIO mode
J3	VOD	High – high VOD	Configures VOD mode – high or low
J4	EQ0	Configurable	See data sheet for details
J5	EQ1	Configurable	See data sheet for details
J6	EQ_MODE	Open – Cable mode	Configures device to operate in Cable or Trace mode
J7	GAIN	Low or open – See data sheet	Work with EQ0 and EQ1 to set total EQ gain

## IMPORTANT NOTICE FOR TI DESIGN INFORMATION AND RESOURCES

Texas Instruments Incorporated ("TI") technical, application or other design advice, services or information, including, but not limited to, reference designs and materials relating to evaluation modules, (collectively, "TI Resources") are intended to assist designers who are developing applications that incorporate TI products; by downloading, accessing or using any particular TI Resource in any way, you (individually or, if you are acting on behalf of a company, your company) agree to use it solely for this purpose and subject to the terms of this Notice.

TI's provision of TI Resources does not expand or otherwise alter TI's applicable published warranties or warranty disclaimers for TI products, and no additional obligations or liabilities arise from TI providing such TI Resources. TI reserves the right to make corrections, enhancements, improvements and other changes to its TI Resources.

You understand and agree that you remain responsible for using your independent analysis, evaluation and judgment in designing your applications and that you have full and exclusive responsibility to assure the safety of your applications and compliance of your applications (and of all TI products used in or for your applications) with all applicable regulations, laws and other applicable requirements. You represent that, with respect to your applications, you have all the necessary expertise to create and implement safeguards that (1) anticipate dangerous consequences of failures, (2) monitor failures and their consequences, and (3) lessen the likelihood of failures that might cause harm and take appropriate actions. You agree that prior to using or distributing any applications that include TI products, you will thoroughly test such applications and the functionality of such TI products as used in such applications. TI has not conducted any testing other than that specifically described in the published documentation for a particular TI Resource.

You are authorized to use, copy and modify any individual TI Resource only in connection with the development of applications that include the TI product(s) identified in such TI Resource. NO OTHER LICENSE, EXPRESS OR IMPLIED, BY ESTOPPEL OR OTHERWISE TO ANY OTHER TI INTELLECTUAL PROPERTY RIGHT, AND NO LICENSE TO ANY TECHNOLOGY OR INTELLECTUAL PROPERTY RIGHT OF TI OR ANY THIRD PARTY IS GRANTED HEREIN, including but not limited to any patent right, copyright, mask work right, or other intellectual property right relating to any combination, machine, or process in which TI products or services are used. Information regarding or referencing third-party products or services does not constitute a license to use such products or services, or a warranty or endorsement thereof. Use of TI Resources may require a license from a third party under the patents or other intellectual property of the third party, or a license from TI under the patents or other intellectual property of TI.

TI RESOURCES ARE PROVIDED "AS IS" AND WITH ALL FAULTS. TI DISCLAIMS ALL OTHER WARRANTIES OR REPRESENTATIONS, EXPRESS OR IMPLIED, REGARDING TI RESOURCES OR USE THEREOF, INCLUDING BUT NOT LIMITED TO ACCURACY OR COMPLETENESS, TITLE, ANY EPIDEMIC FAILURE WARRANTY AND ANY IMPLIED WARRANTIES OF MERCHANTABILITY, FITNESS FOR A PARTICULAR PURPOSE, AND NON-INFRINGEMENT OF ANY THIRD PARTY INTELLECTUAL PROPERTY RIGHTS.

TI SHALL NOT BE LIABLE FOR AND SHALL NOT DEFEND OR INDEMNIFY YOU AGAINST ANY CLAIM, INCLUDING BUT NOT LIMITED TO ANY INFRINGEMENT CLAIM THAT RELATES TO OR IS BASED ON ANY COMBINATION OF PRODUCTS EVEN IF DESCRIBED IN TI RESOURCES OR OTHERWISE. IN NO EVENT SHALL TI BE LIABLE FOR ANY ACTUAL, DIRECT, SPECIAL, COLLATERAL, INDIRECT, PUNITIVE, INCIDENTAL, CONSEQUENTIAL OR EXEMPLARY DAMAGES IN CONNECTION WITH OR ARISING OUT OF TI RESOURCES OR USE THEREOF, AND REGARDLESS OF WHETHER TI HAS BEEN ADVISED OF THE POSSIBILITY OF SUCH DAMAGES.

You agree to fully indemnify TI and its representatives against any damages, costs, losses, and/or liabilities arising out of your non-compliance with the terms and provisions of this Notice.

This Notice applies to TI Resources. Additional terms apply to the use and purchase of certain types of materials, TI products and services. These include; without limitation, TI's standard terms for semiconductor products (<http://www.ti.com/sc/docs/stdterms.htm>), [evaluation modules](#), and [samples](http://www.ti.com/sc/docs/sampterm.htm) (<http://www.ti.com/sc/docs/sampterm.htm>).

Mailing Address: Texas Instruments, Post Office Box 655303, Dallas, Texas 75265  
Copyright © 2017, Texas Instruments Incorporated