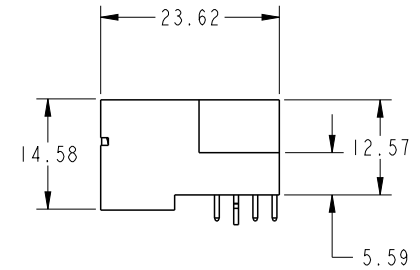
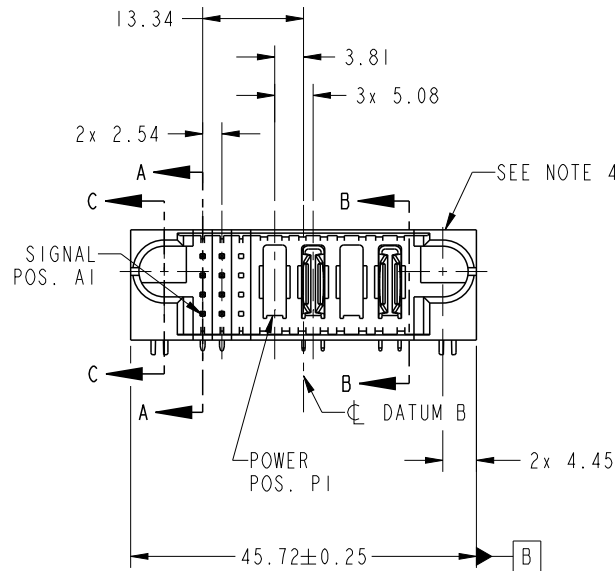


PRODUCT NO.	ROWS	SIGNAL			POWER					
		E1	1	2	3	P1	P2	P3	P4	E2
51939-988LF	D C B A	HA	U	T	S	X	PA	X	PA	HA

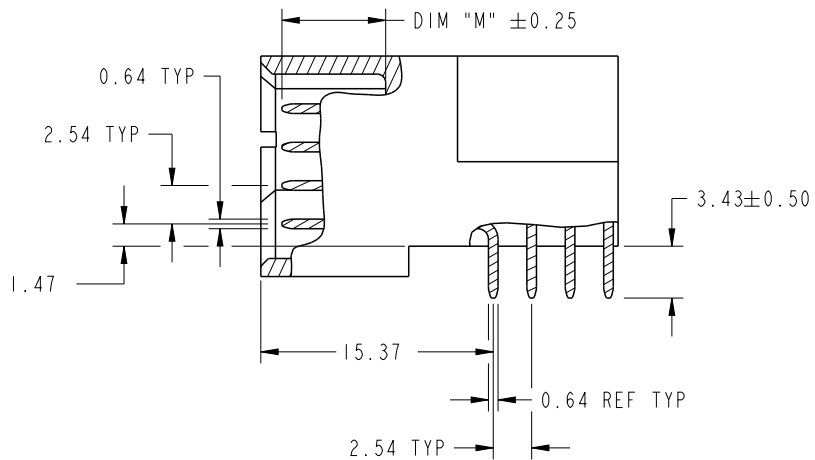


CODE	DIM "M" MATING LENGTH	CONTACT TYPE
U	[6.86]	SIGNAL
T	[6.86]	SIGNAL
S	[6.86]	SIGNAL
R	[6.86]	SIGNAL
PA	[N/A]	POWER
HA	[N/A]	HOLD-DOWN
X	OMITTED	

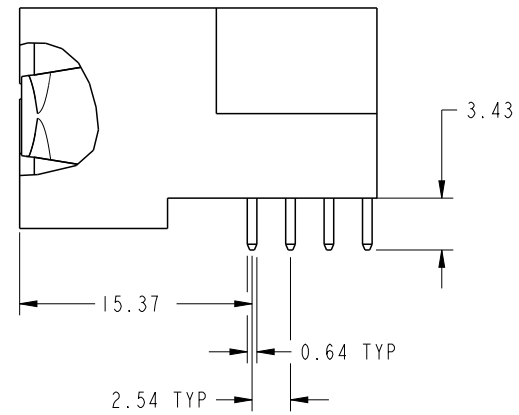
spec ref	*	dr	De-Ming Lu	2015/09/22	projection 	MM ←→	size	A4	scale	1:1
tolerance std	ASME Y14.5	eng	De-Ming Lu	2015/10/28			ecn no	-		
TOLERANCES UNLESS OTHERWISE SPECIFIED		chr	Fancy Zhang	2015/10/28			rel level	Released		
surface	✓	appr	Pei-Ming Zheng	2015/10/28	product family	PwrBlade	rev			
ASME Y14.5	linear	0.X	±0.5		title	12S + 4DCP	dwg no	51939-988	rev	A
		0.XX	±0.25							
	0.XXX	±0.1	www.fci.com	cat. no.	-	Product - Customer Drw	sheet 1 of 4			
	angular	0°						±2°		

PRODUCT NUMBER

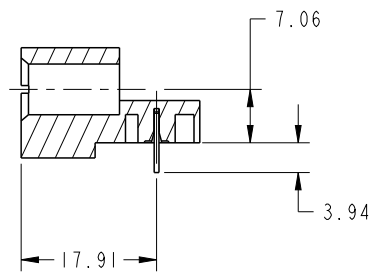
51939-988LF



BROKEN-OUT SECTION A-A  
SCALE 2:1



BROKEN-OUT SECTION B-B  
SCALE 2:1



SECTION C-C

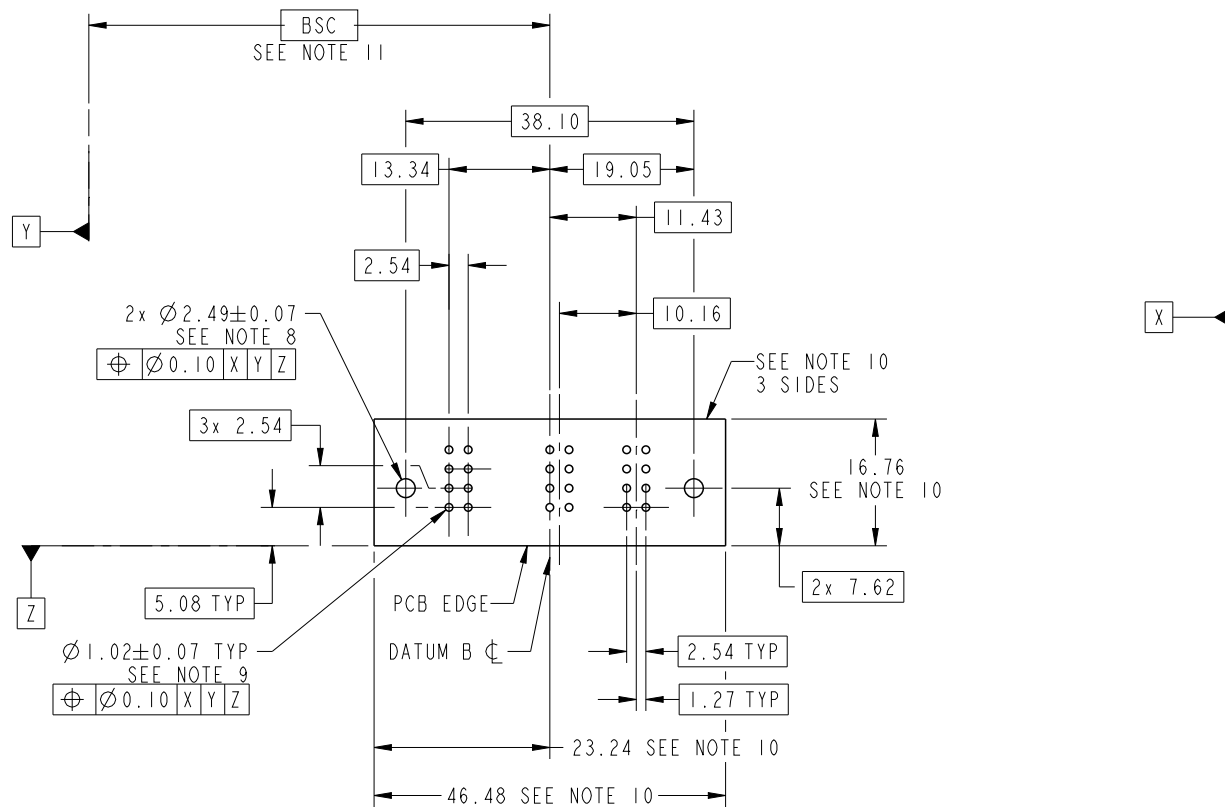
dr	De-Ming Lu	2015/09/22	projection 	MM 	size	A4	scale	1:1
eng	De-Ming Lu	2015/10/28			ecn no	-		
chr	Fancy Zhang	2015/10/28			rel level	Released		
appr	Pei-Ming Zheng	2015/10/28	product family	PwrBlade	rev	A		
		title 12S + 4DCP RIGHT ANGLE SOLDER HEADER	dwg no 51939-988	cat. no. -	Product - Customer Drw	sheet 2 of 4		



Copyright FCI.

PRODUCT NUMBER

51939-988LF



RECOMMENDED PCB LAYOUT

dr	De-Ming Lu	2015/09/22	projection 	MM 	size	A4	scale	1:1	
eng	De-Ming Lu	2015/10/28			ecn no	-			
chr	Fancy Zhang	2015/10/28			rel level	Released			
appr	Pei-Ming Zheng	2015/10/28	product family	PwrBlade	rev	A			
		title		12S + 4DCP		dwg no		51939-988	
www.fci.com		cat. no.		-		Product - Customer Drw		sheet 3 of 4	



PRODUCT NUMBER

51939-988LF

NOTES:

1. DIMENSIONS AND TOLERANCES ARE IN ACCORDANCE WITH ASME Y14.5M, 1994 UNLESS OTHERWISE SPECIFIED.

CONNECTOR NOTES:

- 2. HOUSING MATERIAL: UL 94 V-0 GLASS FILLED HIGH-TEMP THERMOPLASTIC  
POWER CONTACT MATERIAL: COPPER ALLOY  
SIGNAL PIN MATERIAL: COPPER ALLOY
- 3. SEE FCI PLATING SPEC 10064183.
- 4. MANUFACTURER'S NAME, DATE CODE AND OPTIONAL P/N TO APPEAR ON THIS SURFACE. THE MARK CAN BE OMITTED IF THERE IS NOT ENOUGH SPACE ON THIS SURFACE.
- 5. PRODUCT SPECIFICATION GS-12-149.  
APPLICATION SPECIFICATION BUS-20-067.
- 6. PACKAGED IN TRAYS.

PCB NOTES:

- 7. ALL HOLE DIAMETERS ARE FINISHED HOLE SIZE.
- 8. MOUNTING HOLES, WHERE APPLICABLE, ARE UNPLATED.
- 9.  $\varnothing 1.151 \pm 0.025$  DRILLED HOLES PLATED WITH  
0.008 MIN SnPb OR Sn OVER 0.03  
TO 0.08 Cu PLATING TO ACHIEVE  
 $\varnothing 1.02 \pm 0.07$  HOLE.
- 10. CONNECTOR KEEP-OUT ZONE.
- 11. DATUM AND BASIC DIMENSIONS ARE ESTABLISHED BY CUSTOMER.

dr	De-Ming Lu	2015/09/22	projection 	MM 	size	A4	scale	1:1			
eng	De-Ming Lu	2015/10/28			ecn no	-					
chr	Fancy Zhang	2015/10/28			product family	PwrBlade	rel level	Released			
appr	Pei-Ming Zheng	2015/10/28	FCj		title	12S + 4DCP RIGHT ANGLE SOLDER HEADER		dwg no	51939-988	rev	A
www.fci.com		cat. no.	-	Product - Customer Drw			sheet 4 of 4				



Copyright FCI.