

53400-1 ✓ ACTIVE



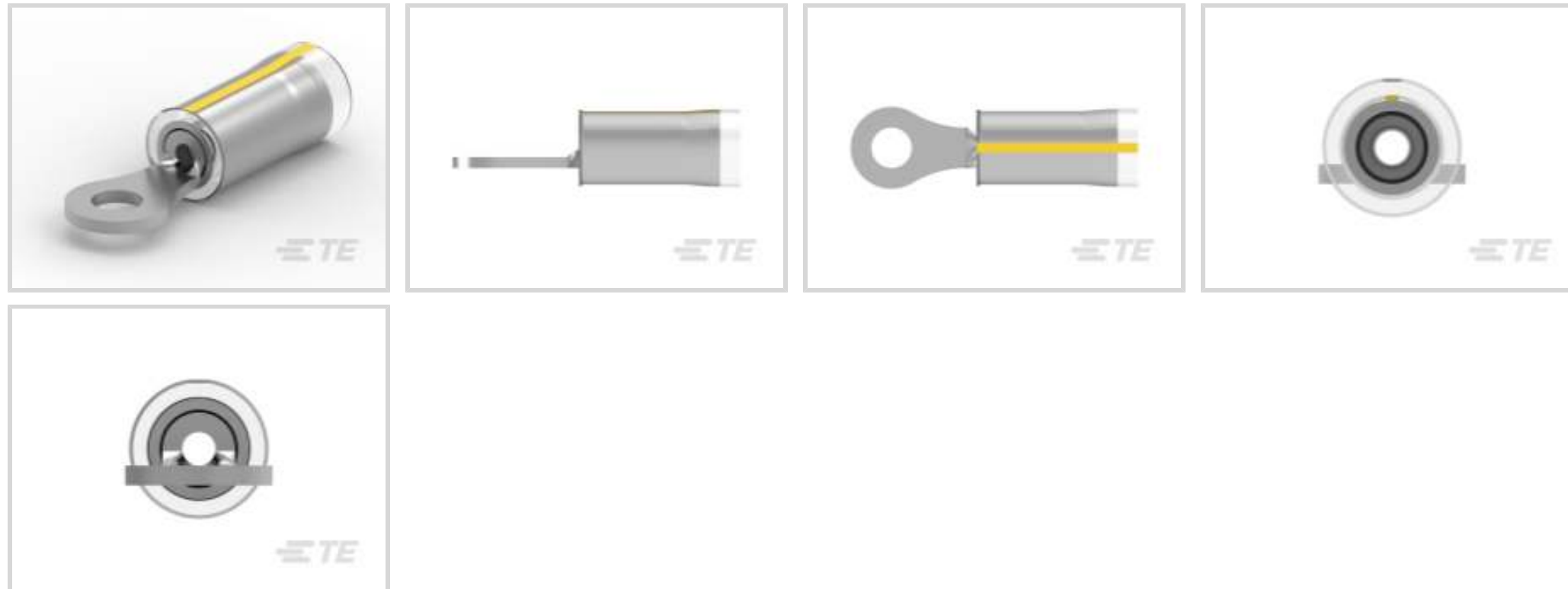
PIDG

TE Internal #: 53400-1

Ring Terminals & Spade Terminals, Ring Tongue, 26 AWG Wire Size, .12 – .24 mm<sup>2</sup> Wire Size, 202 – 509 CMA Wire Size, Stud Size #2 / M2, PIDG

[View on TE.com >](#)

Terminals & Splices > Ring Terminals & Spade Terminals > PIDG Radiation Resistant C Rings/Spades



Ring & Spade Terminal Type: **Ring Tongue**

Wire Size: **202 – 509 CMA**

Stud Size: **#2, M2**

[All PIDG Radiation Resistant C Rings/Spades \(41\)](#)

### Features

#### Product Type Features

Stud Size	#2, M2
Sealable	No
Wire Insulation Support Retention Type	Insulation Support

#### Configuration Features

Number of Holes	1
-----------------	---

#### Body Features

Insulation Sleeve Color	Natural
Stripe Color	Yellow

#### Contact Features

Military Part Class	Class I
Ring & Spade Terminal Type	Ring Tongue
Barrel Type	Closed
Terminal Orientation	Straight
Terminal Plating Material	Tin-Lead



### Mechanical Attachment

Wire Insulation Support	With
-------------------------	------

### Dimensions

Wire Size	202 – 509 CMA
Stud Diameter	2.36 mm[.093 in]
Tongue Thickness	.69 mm[.027 in]
Product Length	18.7 mm[.736 in]
Compatible Insulation Diameter (Max)	2.08 mm[.082 in]
Compatible Insulation Diameter Range	.81 – 2.08 mm[.032 – .082 in]

### Usage Conditions

Insulation Option	Partially Insulated
Operating Temperature Range	150 °C[302 °F]

### Operation/Application

Compatible With Wire Base Material	Copper
Compatible With Wire Plating Material	Tin

### Industry Standards

Government Qualified Terminal	Yes
-------------------------------	-----

### Packaging Features

Packaging Quantity	1000
Packaging Method	Loose Piece

### Product Compliance

[For compliance documentation, visit the product page on TE.com>](#)

EU RoHS Directive 2011/65/EU	Not Compliant
EU ELV Directive 2000/53/EC	Compliant with Exemptions
China RoHS 2 Directive MIIT Order No 32, 2016	Restricted Materials Above Threshold
EU REACH Regulation (EC) No. 1907/2006	Current ECHA Candidate List: JUNE 2023 (235) Candidate List Declared Against: JUNE 2023 (235) SVHC > Threshold: Pb (13% in Component Part)

#### Article Safe Usage Statements:

Do not eat, drink or smoke when using this product. Wash thoroughly after handling. Recycle if possible and dispose of the article by following all applicable governmental regulations relevant to your geographic location.








Halogen Content	Not Low Halogen - contains Br or Cl > 900 ppm.
-----------------	--

Solder Process Capability	Not applicable for solder process capability
---------------------------	--

**Product Compliance Disclaimer**

This information is provided based on reasonable inquiry of our suppliers and represents our current actual knowledge based on the information they provided. This information is subject to change. The part numbers that TE has identified as EU RoHS compliant have a maximum concentration of 0.1% by weight in homogenous materials for lead, hexavalent chromium, mercury, PBB, PBDE, DBP, BBP, DEHP, DIBP, and 0.01% for cadmium, or qualify for an exemption to these limits as defined in the Annexes of Directive 2011/65/EU (RoHS2). Finished electrical and electronic equipment products will be CE marked as required by Directive 2011/65/EU. Components may not be CE marked. Additionally, the part numbers that TE has identified as EU ELV compliant have a maximum concentration of 0.1% by weight in homogenous materials for lead, hexavalent chromium, and mercury, and 0.01% for cadmium, or qualify for an exemption to these limits as defined in the Annexes of Directive 2000/53/EC (ELV). Regarding the REACH Regulation, the information TE provides on SVHC in articles for this part number is based on the latest European Chemicals Agency (ECHA) 'Guidance on requirements for substances in articles' posted at this URL: <https://echa.europa.eu/guidance-documents/guidance-on-reach>

## Compatible Parts

 <p>TE Part # 47386 DAHT PG PIDG 26-16 ASSY</p>	 <p>TE Part # 58423-1 DIE, RBY IS9252</p>	 <p>TE Part # 539691-2 ERGO DIE R.B.Y</p>	 <p>TE Part # 132246-3 TERMINAL RING TONGUE PIDG 22 18</p>
 <p>TE Part # 2063030-1 SDE DIESET, RBY, UL</p>	 <p>TE Part # 47806-2 DIES PIDG 22-16 DIE SET</p>	 <p>TE Part # 59300 T-HEAD PIDG PG 26-16 ASSY</p>	

## Also in the Series | PIDG

 <p>Compression Connectors(17)</p>	 <p>Crimp Terminal Housings(1)</p>	 <p>Crimp Wire Pins, Tabs &amp; Ferrules(40)</p>	 <p>Hand Crimping Tools(2)</p>
---	--	---	---



Knife Disconnects(11)



PCB Terminals(9)



Quick Disconnects(49)



Ring Terminals & Spade Terminals(861)

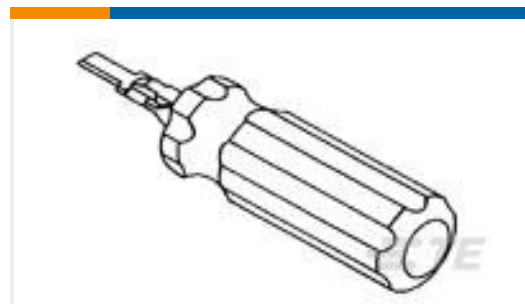


Special Purpose Terminals(1)

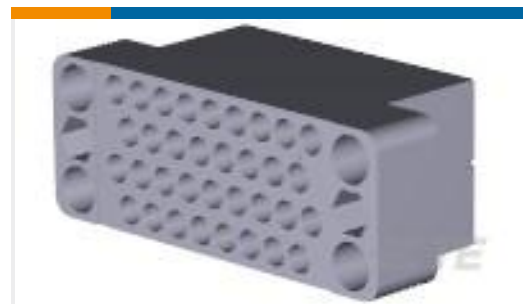


Splices(47)

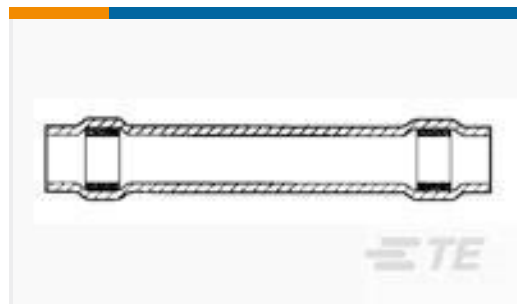
## Customers Also Bought



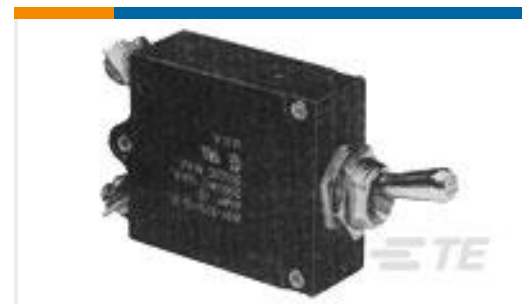
TE Part #189727-1  
EXTRACTION TOOL



TE Part #200838-2  
BLOCK, 34 POSN, M SERIES



TE Part #650074-000  
D-436-36



TE Part #4-1393247-3  
W31-X2M1G-50=W23/W31



TE Part #1437651-6  
511612100=511612100



TE Part #53401-1  
TERMINAL, PIDG PVF2 R 26-24 4



TE Part #625134-000  
D-110-40



TE Part #1-2176507-3  
CJP 200W 5R6 5% Lead



TE Part #3-2176508-1  
CJP 300W 180R 5% Lead



TE Part #625059-000  
D-110-20

## Documents





### Product Drawings

[TERMINAL,PIDG PVF2 R 26-24 2](#)

English

---

### CAD Files

[3D PDF](#)

3D

Customer View Model

[ENG\\_CVM\\_CVM\\_53400-1\\_E.2d\\_dxf.zip](#)

English

Customer View Model

[ENG\\_CVM\\_CVM\\_53400-1\\_E.3d\\_igs.zip](#)

English

Customer View Model

[ENG\\_CVM\\_CVM\\_53400-1\\_E.3d\\_stp.zip](#)

English

By downloading the CAD file I accept and agree to the [Terms and Conditions](#) of use.

---

### Datasheets & Catalog Pages

[RADIATION\\_RESISTANT\\_PRE-INSULATED\\_TERMINALS\\_SPLICES](#)

English

---

### Product Specifications

[Application Specification](#)

English

---

### Product Environmental Compliance

[Product Compliance](#)

English

[Product Compliance](#)

English