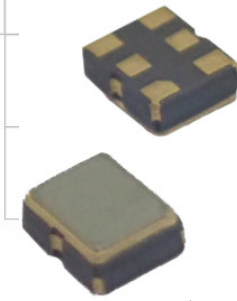


Model 626

Very Low Jitter LVPECL or LVDS Clock

Features

- Ceramic Surface Mount Package
- Very Low Phase Jitter Performance, 500fs Maximum
- Fundamental or 3rd Overtone Crystal Design
- Frequency Range 6 – 220MHz *
- +2.5V or +3.3V Operation [+1.8V LVDS only]
- Output Enable Standard
- Tape and Reel Packaging, EIA-481



Part Dimensions:
2.5 x 2.0 x 1.1mm • 14.25852mg

Standard Frequencies

* See Page 10 for common frequencies.
Check with factory for availability of frequencies not listed.

Applications

- SerDes
- Storage Area Networking
- Broadband Access
- SONET/SDH/DWDM
- PON
- Ethernet/Gbe/SyncE
- Fiber Channel
- Medical Electronics
- Test and Measurement

Description

CTS Model 626 is a low cost, high performance clock oscillator supporting differential LVPECL or LVDS outputs. Employing the latest IC technology, M626 has excellent stability and very low jitter/phase noise performance.

Ordering Information

Model	Output Type	Frequency Code [MHz]	Frequency Stability	Temperature Range	Supply Voltage	Packaging
626	P	XXX or XXXX	3	G	3	T
		Code Frequency Product Frequency Code ¹		Code Temp. Range		Code Packing
				A -10°C to +60°C		T 1k pcs./reel
				C -20°C to +70°C		
				I -40°C to +85°C	Code Voltage	
				G -40°C to +105°C ³	M +1.8Vdc ⁴	
	Code Output				2 +2.5Vdc	
	P LVPECL - Pin 1 Enable				3 +3.3Vdc	
	L LVDS - Pin 1 Enable					
		Code Stability Code Stability Code Stability				
		6 ±20ppm ² 4 ±30ppm 2 ±100ppm				
		5 ±25ppm 3 ±50ppm				

Notes:

- 1] Refer to document 016-1454-0, Frequency Code Tables. 3-digits for frequencies <100MHz, 4-digits for frequencies 100MHz or greater.
- 2] Check factory for availability. Temperature codes A and C only.
- 3] Check factory for availability. Stability codes 2 and 3 only.
- 4] LVDS output only. Consult factory for availability.

**Not all performance combinations and frequencies may be available.
Contact your local CTS Representative or CTS Customer Service for availability.**

This product is specified for use only in standard commercial applications. Supplier disclaims all express and implied warranties and liability in connection with any use of this product in any non-commercial applications or in any application that may expose the product to conditions that are outside of the tolerances provided in its specification.



Electrical Specifications

Operating Conditions

PARAMETER	SYMBOL	CONDITIONS	MIN	TYP	MAX	UNIT
Maximum Supply Voltage	V _{CC}	-	-0.3	-	4.0	V
Supply Voltage [Note 1]	V _{CC}	±5%	1.710	1.8	1.890	V
			3.135	3.3	3.465	
Supply Current						
LVPECL	I _{CC}	V _{CC} = +3.3V or +2.5V @ maximum load	-	45	70	mA
LVDS			-	30	40	
LVDS			V _{CC} = +1.8V @ maximum load	-	7	
Operating Temperature	T _A	-	-10	+25	+60	°C
			-20		+70	
			-40		+85	
			-40		+105	
Storage Temperature	T _{STG}	-	-50	-	+125	°C

Frequency Stability

PARAMETER	SYMBOL	CONDITIONS	MIN	TYP	MAX	UNIT
Frequency Range						
LVPECL	f ₀	-		6 - 220		MHz
LVDS				6 - 220		
Frequency Stability [Note 2]	Δf/f ₀	-		20, 25, 30, 50 or 100		±ppm
Aging	Δf/f ₂₅	First Year @ +25°C, nominal V _{CC}	-5	-	5	ppm

1.] LVDS output only for +1.8V option.

2.] Inclusive of initial tolerance at time of shipment, changes in supply voltage, load, temperature and 1st year aging.

Output Parameters

PARAMETER	SYMBOL	CONDITIONS	MIN	TYP	MAX	UNIT
Output Type	-	-		LVPECL		-
Output Load	R _L	Terminated to V _{CC} - 2.0V	-	50	-	Ohms
Output Voltage Levels	V _{OH}	PECL Load, -20°C to +70°C	V _{CC} - 1.025	-	V _{CC} - 0.880	V
	V _{OL}		V _{CC} - 1.810	-	V _{CC} - 1.620	
	V _{OH}	PECL Load, -40°C to +85°C	V _{CC} - 1.085	-	V _{CC} - 0.880	V
	V _{OL}		V _{CC} - 1.830	-	V _{CC} - 1.555	
Output Duty Cycle	SYM	@ V _{CC} - 1.3V	45	-	55	%
Rise and Fall Time	T _R , T _F	@ 20%/80% Levels, R _L = 50 Ohms	-	0.3	0.7	ns
LVDS						
Output Type	-	-		LVDS		-
Output Load	R _L	Between Outputs	-	100	-	Ohms
Output Voltage Levels	V _{OH}	LVDS Load	-	1.43	1.60	V
	V _{OL}		0.90	1.10	-	
Output Duty Cycle	SYM	@ 1.25V	45	-	55	%
Differential Output Voltage	V _{OD}	R _L = 100 Ohms	247	330	454	mV
Offset Voltage	V _{OS}	LVDS Load	1.125	1.25	1.375	V
Rise and Fall Time	T _R , T _F	@ 20%/80% Levels, R _L = 100 Ohms	-	0.4	0.7	ns

Electrical Specifications

Output Parameters

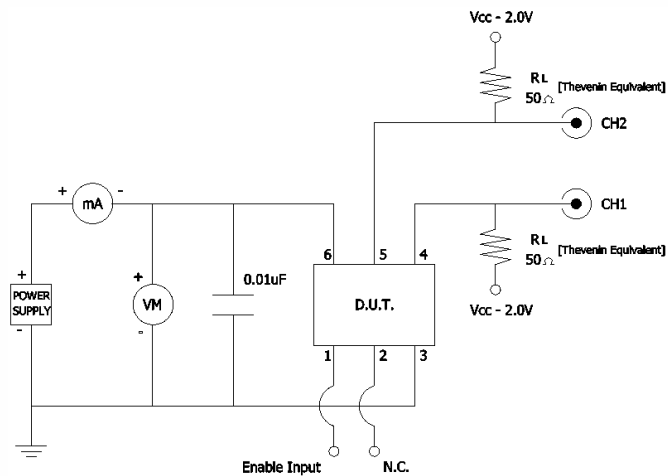
PARAMETER	SYMBOL	CONDITIONS	MIN	TYP	MAX	UNIT
Start Up Time	T_S	Application of V_{CC}	-	3	10	ms
Enable Function [Standby]						
Enable Input Voltage	V_{IH}	Pin 1 Logic '1', Output Enabled	$0.7V_{CC}$	-	-	V
Disable Input Voltage	V_{IL}	Pin 1 Logic '0', Output Disabled	-	-	$0.3V_{CC}$	V
Disable Time	T_{PLZ}	Pin 1 Logic '0', Output Disabled	-	-	200	ns
Standby Current	I_{ST}	Pin 1 Logic '0', Output Disabled	-	-	15	μA
Enable Time	T_{PLZ}	Pin 1 Logic '1', Output Enabled	-	-	4	ms
Phase Jitter, RMS	t_{jrms}	40MHz - 220MHz, Bandwidth 12kHz to 20MHz	-	300	500	fs
		6MHz - 39.999MHz, Bandwidth 12kHz to 5MHz	-	-	<1	ps

Enable Truth Table

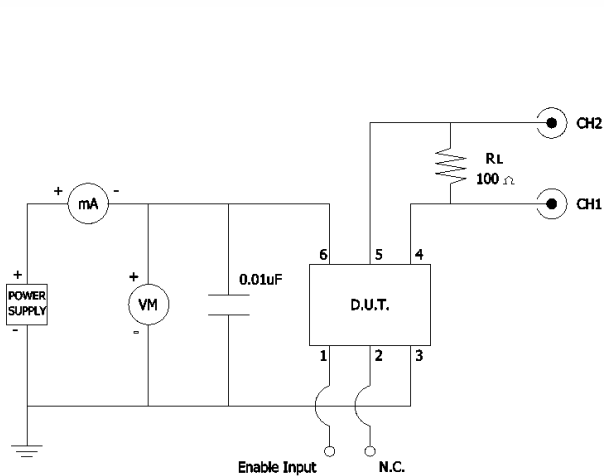
Pin 1	Pin 4 & Pin 5
Logic '1'	Output Enabled
Open	Output Enabled
Logic '0'	Output Disabled, High Impedance

Test Circuit

LVPECL

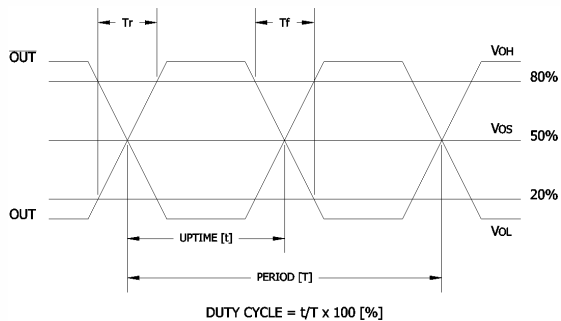


LVDS



Output Waveform

LVPECL or LVDS

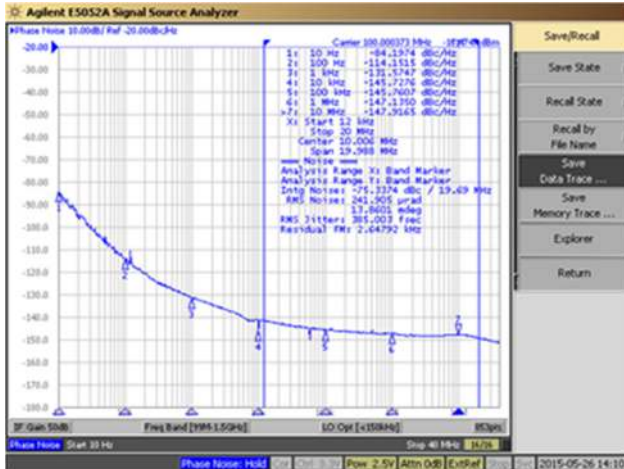


Electrical Specifications

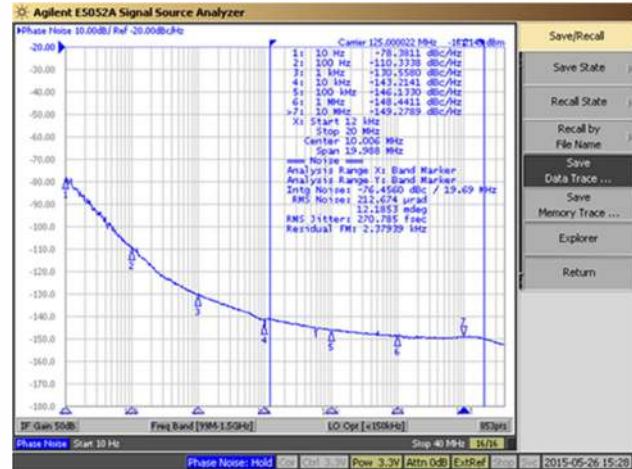
Performance Data

Phase Noise [typical]

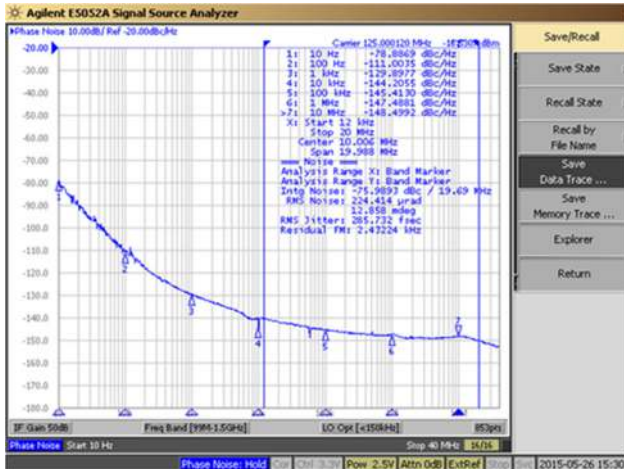
100MHz, LVDS, $V_{CC} = +2.5V$, $T_A = +25^\circ C$



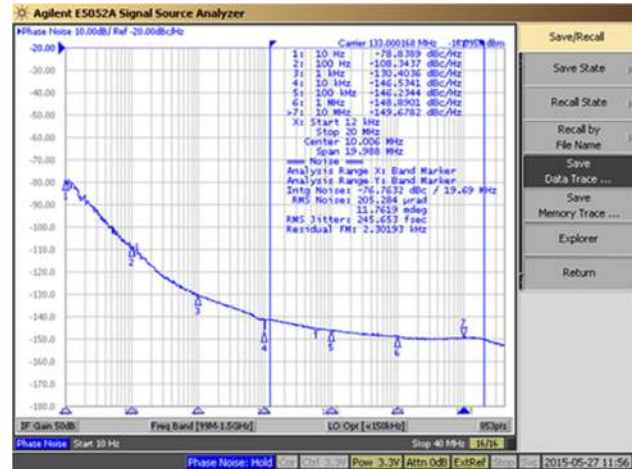
125MHz, LVDS, $V_{CC} = +3.3V$, $T_A = +25^\circ C$



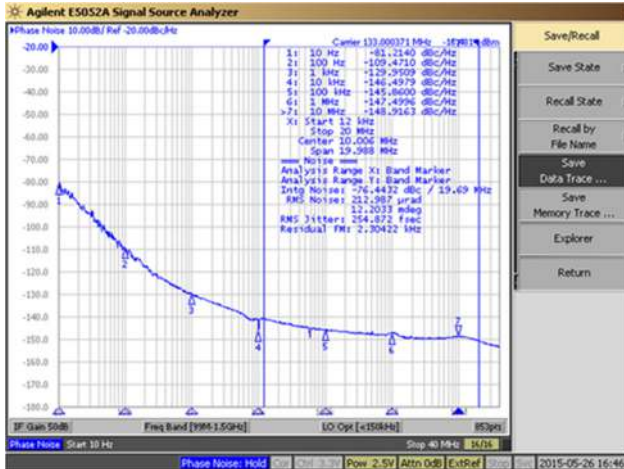
125MHz, LVDS, $V_{CC} = +2.5V$, $T_A = +25^\circ C$



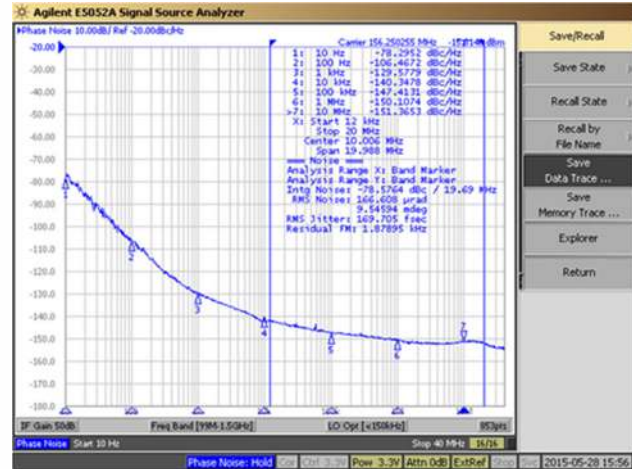
133MHz, LVDS, $V_{CC} = +3.3V$, $T_A = +25^\circ C$



133MHz, LVDS, $V_{CC} = +2.5V$, $T_A = +25^\circ C$



156.25MHz, LVDS, $V_{CC} = +3.3V$, $T_A = +25^\circ C$



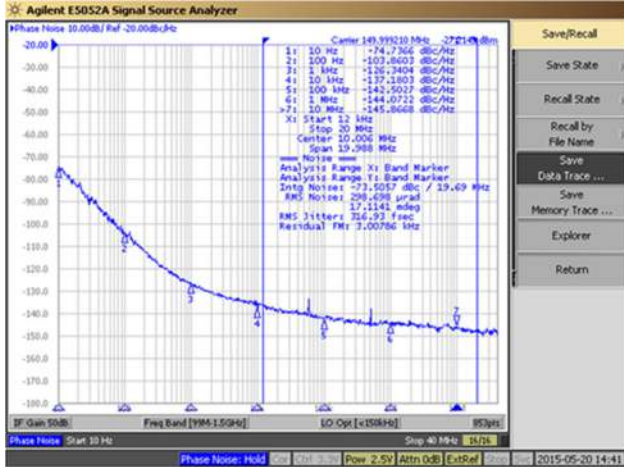


Electrical Specifications

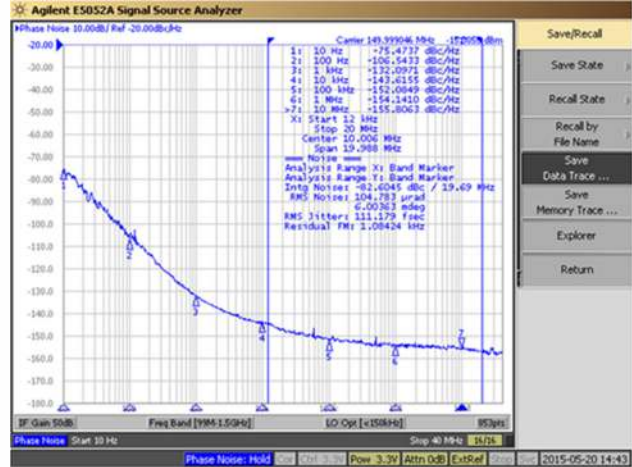
Performance Data

Phase Noise [typical]

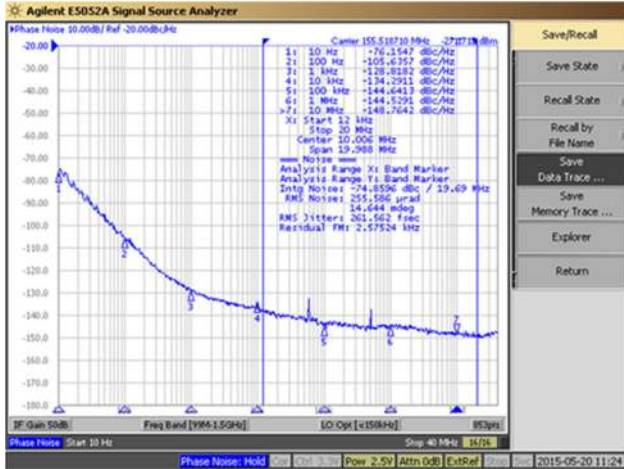
150MHz, LVPECL, $V_{CC} = +2.5V$, $T_A = +25^\circ C$



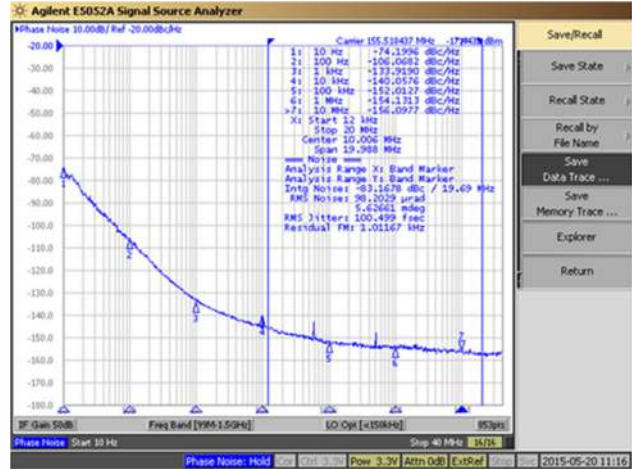
150MHz, LVPECL, $V_{CC} = +3.3V$, $T_A = +25^\circ C$



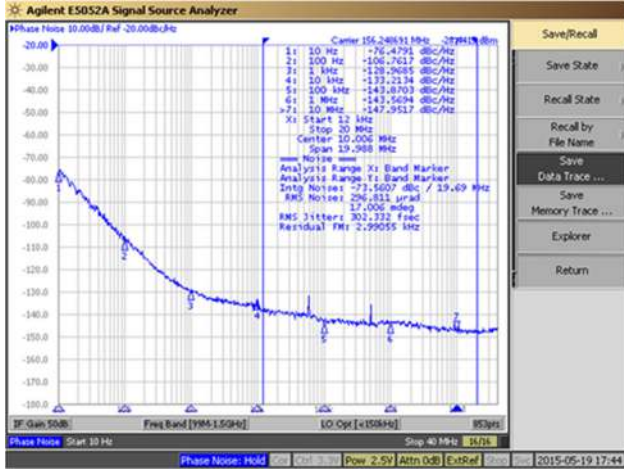
155.52MHz, LVPECL, $V_{CC} = +2.5V$, $T_A = +25^\circ C$



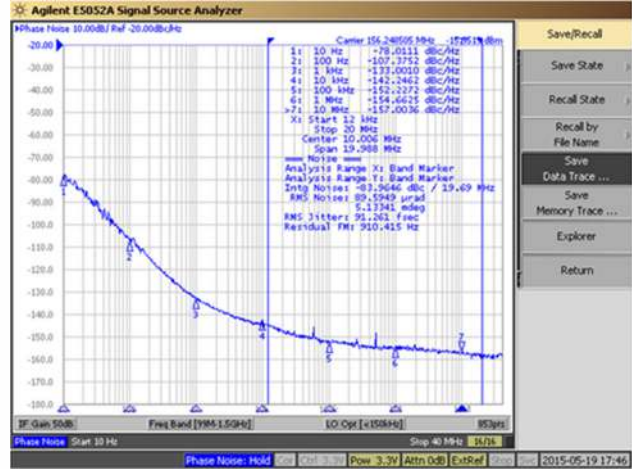
155.52MHz, LVPECL, $V_{CC} = +3.3V$, $T_A = +25^\circ C$



156.25MHz, LVPECL, $V_{CC} = +2.5V$, $T_A = +25^\circ C$



156.25MHz, LVPECL, $V_{CC} = +3.3V$, $T_A = +25^\circ C$





Electrical Specifications

Phase Noise Tabulated - LVDS

Typical, $V_{CC} = +2.5V$, $T_A = +25^\circ C$

PARAMETER	SYMBOL	CONDITIONS	TYP	UNIT
LVDS @ 100.00MHz				
Phase Noise		Single Side Band		
		@ 10Hz	-84.20	
		@ 100Hz	-114.15	
		@ 1kHz	-131.57	dBc/Hz
		@ 10kHz	-145.73	
		@ 100kHz	-145.76	
		@ 1MHz	-147.14	
	@ 10MHz	-147.92		
Phase Jitter, RMS	tjrms	Integration Bandwidth 12kHz - 20MHz	385.00	fs

PARAMETER	SYMBOL	CONDITIONS	TYP	UNIT
LVDS @ 125.00MHz				
Phase Noise		Single Side Band		
		@ 10Hz	-78.89	
		@ 100Hz	-111.00	
		@ 1kHz	-129.90	dBc/Hz
		@ 10kHz	-144.21	
		@ 100kHz	-145.41	
		@ 1MHz	-147.49	
	@ 10MHz	-148.50		
Phase Jitter, RMS	tjrms	Integration Bandwidth 12kHz - 20MHz	285.73	fs

PARAMETER	SYMBOL	CONDITIONS	TYP	UNIT
LVDS @ 133.00MHz				
Phase Noise		Single Side Band		
		@ 10Hz	-81.21	
		@ 100Hz	-109.47	
		@ 1kHz	-129.95	dBc/Hz
		@ 10kHz	-146.50	
		@ 100kHz	-145.86	
		@ 1MHz	-147.50	
	@ 10MHz	-148.92		
Phase Jitter, RMS	tjrms	Integration Bandwidth 12kHz - 20MHz	254.87	fs

Typical, $V_{CC} = +3.3V$, $T_A = +25^\circ C$

PARAMETER	SYMBOL	CONDITIONS	TYP	UNIT
LVDS @ 125.00MHz				
Phase Noise		Single Side Band		
		@ 10Hz	-78.38	
		@ 100Hz	-110.33	
		@ 1kHz	-130.56	dBc/Hz
		@ 10kHz	-143.21	
		@ 100kHz	-146.13	
		@ 1MHz	-148.44	
	@ 10MHz	-149.28		
Phase Jitter, RMS	tjrms	Integration Bandwidth 12kHz - 20MHz	270.79	fs

PARAMETER	SYMBOL	CONDITIONS	TYP	UNIT
LVDS @ 133.00MHz				
Phase Noise		Single Side Band		
		@ 10Hz	-78.84	
		@ 100Hz	-108.34	
		@ 1kHz	-130.40	dBc/Hz
		@ 10kHz	-146.53	
		@ 100kHz	-146.23	
		@ 1MHz	-148.89	
	@ 10MHz	-149.68		
Phase Jitter, RMS	tjrms	Integration Bandwidth 12kHz - 20MHz	245.65	fs

PARAMETER	SYMBOL	CONDITIONS	TYP	UNIT
LVDS @ 156.25MHz				
Phase Noise		Single Side Band		
		@ 10Hz	-78.30	
		@ 100Hz	-106.47	
		@ 1kHz	-129.58	dBc/Hz
		@ 10kHz	-140.35	
		@ 100kHz	-147.41	
		@ 1MHz	-150.11	
	@ 10MHz	-151.37		
Phase Jitter, RMS	tjrms	Integration Bandwidth 12kHz - 20MHz	169.71	fs



Electrical Specifications

Phase Noise Tabulated - LVPECL

Typical, $V_{CC} = +2.5V$, $T_A = +25^\circ C$

PARAMETER	SYMBOL	CONDITIONS	TYP	UNIT	
LVPECL @ 150.00MHz					
Phase Noise		Single Side Band			
		@ 10Hz	-74.74		
		@ 100Hz	-103.86		
		@ 1kHz	-126.34	dBc/Hz	
		@ 10kHz	-137.18		
		@ 100kHz	-142.50		
		@ 1MHz	-144.07		
	@ 10MHz	-145.87			
Phase Jitter, RMS	tjrms	Integration Bandwidth 12kHz - 20MHz	316.93		fs

PARAMETER	SYMBOL	CONDITIONS	TYP	UNIT	
LVPECL @ 155.52MHz					
Phase Noise		Single Side Band			
		@ 10Hz	-76.15		
		@ 100Hz	-105.64		
		@ 1kHz	-128.82	dBc/Hz	
		@ 10kHz	-134.29		
		@ 100kHz	-144.64		
		@ 1MHz	-144.53		
	@ 10MHz	-148.76			
Phase Jitter, RMS	tjrms	Integration Bandwidth 12kHz - 20MHz	261.56		fs

PARAMETER	SYMBOL	CONDITIONS	TYP	UNIT	
LVPECL @ 156.25MHz					
Phase Noise		Single Side Band			
		@ 10Hz	-76.48		
		@ 100Hz	-106.76		
		@ 1kHz	-128.97	dBc/Hz	
		@ 10kHz	-133.21		
		@ 100kHz	-143.87		
		@ 1MHz	-143.57		
	@ 10MHz	-147.95			
Phase Jitter, RMS	tjrms	Integration Bandwidth 12kHz - 20MHz	302.33		fs

Typical, $V_{CC} = +3.3V$, $T_A = +25^\circ C$

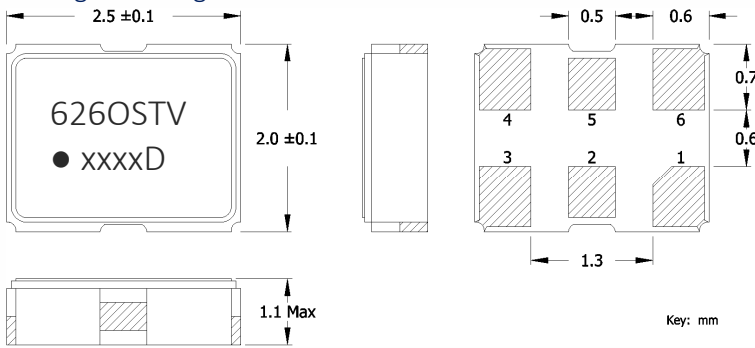
PARAMETER	SYMBOL	CONDITIONS	TYP	UNIT	
LVPECL @ 150.00MHz					
Phase Noise		Single Side Band			
		@ 10Hz	-75.47		
		@ 100Hz	-106.54		
		@ 1kHz	-132.10	dBc/Hz	
		@ 10kHz	-143.62		
		@ 100kHz	-152.08		
		@ 1MHz	-154.14		
	@ 10MHz	-155.81			
Phase Jitter, RMS	tjrms	Integration Bandwidth 12kHz - 20MHz	383.70		fs

PARAMETER	SYMBOL	CONDITIONS	TYP	UNIT	
LVPECL @ 155.52MHz					
Phase Noise		Single Side Band			
		@ 10Hz	-74.20		
		@ 100Hz	-106.07		
		@ 1kHz	-133.92	dBc/Hz	
		@ 10kHz	-140.06		
		@ 100kHz	-152.01		
		@ 1MHz	-154.13		
	@ 10MHz	-156.10			
Phase Jitter, RMS	tjrms	Integration Bandwidth 12kHz - 20MHz	100.50		fs

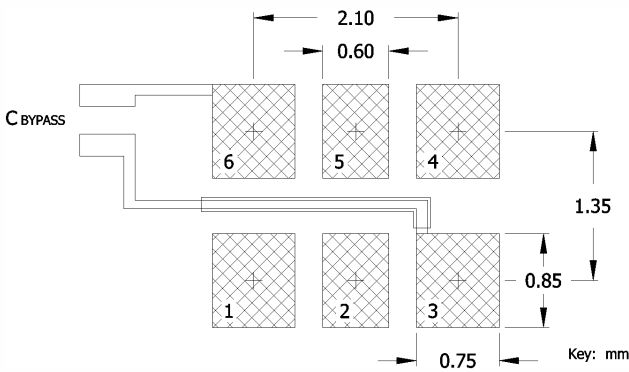
PARAMETER	SYMBOL	CONDITIONS	TYP	UNIT	
LVPECL @ 156.25MHz					
Phase Noise		Single Side Band			
		@ 10Hz	-78.01		
		@ 100Hz	-107.38		
		@ 1kHz	-133.00	dBc/Hz	
		@ 10kHz	-142.25		
		@ 100kHz	-152.23		
		@ 1MHz	-154.66		
	@ 10MHz	-157.00			
Phase Jitter, RMS	tjrms	Integration Bandwidth 12kHz - 20MHz	91.26		fs

Mechanical Specifications

Package Drawing



Recommended Pad Layout



Pin Assignments

Pin	Symbol	Function
1	EOH	Enable
2	N.C.	No Connect
3	GND	Circuit & Package Ground
4	Output	RF Output
5	Output	Complimentary RF Output
6	V _{CC}	Supply Voltage

Marking Information

Preferred

- O – Output Type; P = LVPECL, L = LVDS.
- ST – Frequency Stability/Temperature Code. [Refer to Ordering Information]
- V – Voltage Code; 3 = 3.3V, 2 = 2.5V.
- xxxx – Frequency Code.
3-digits, frequencies below 100MHz
4-digits, frequencies 100MHz or greater
[See document 016-1454-0, Frequency Code Tables.]
- D – Date Code. See Table I for codes.
[Note: Manufacturing site code must appear on reel and carton labels.]

Optional

- O – Output Type; P = LVPECL, L = LVDS.
- ST – Frequency Stability/Temperature Code. [Refer to Ordering Information]
- xxxx – Frequency Code.
3-digits, frequencies below 100MHz
4-digits, frequencies 100MHz or greater
[See document 016-1454-0, Frequency Code Tables.]
- D – Date Code. See Table I for codes.
[Note: Manufacturing site code must appear on reel and carton labels.]



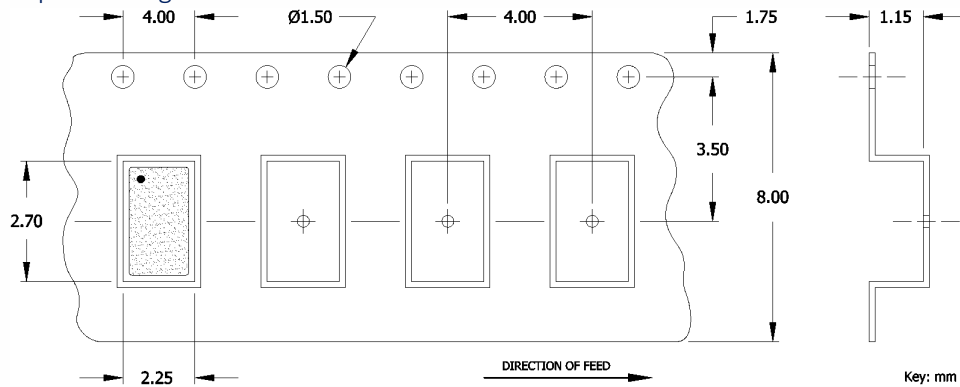
- JEDEC termination code (e4). Barrier-plating is nickel [Ni] with gold [Au] flash plate.
- Reflow conditions per JEDEC J-STD-020; +260°C maximum, 20 seconds.
- MSL = 1.

Table I - Date Code, Beginning year 2021

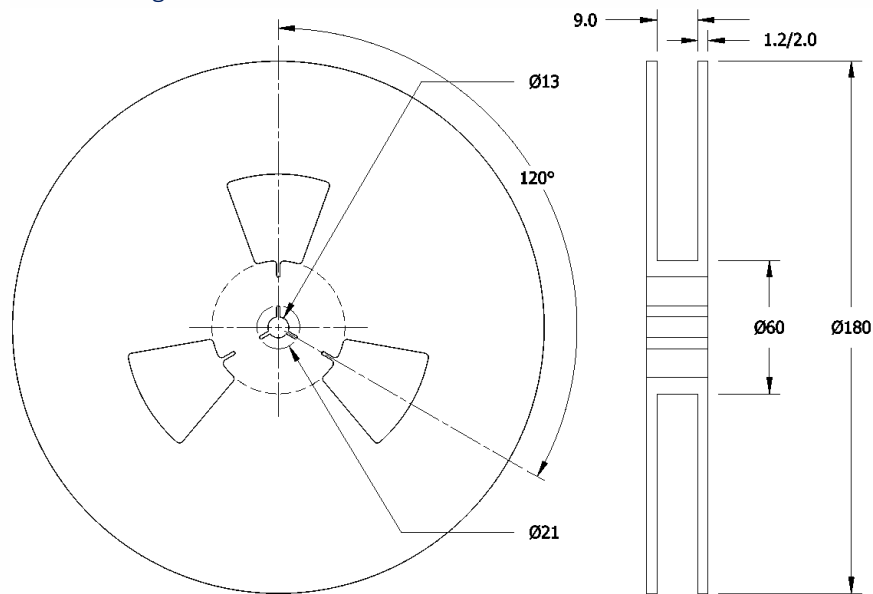
					MONTH											
					JAN	FEB	MAR	APR	MAY	JUN	JUL	AUG	SEP	OCT	NOV	DEC
YEAR																
2021	2025	2029	2033	2037	A	B	C	D	E	F	G	H	J	K	L	M
2022	2026	2030	2034	2038	N	P	Q	R	S	T	U	V	W	X	Y	Z
2023	2027	2031	2035	2039	a	b	c	d	e	f	g	h	j	k	l	m
2024	2028	2032	2036	2040	n	p	q	r	s	t	u	v	w	x	y	z

Packaging - Tape and Reel

Tape Drawing



Reel Drawing



Notes

1. Device quantity is 1k pieces minimum or 3k pieces maximum per 180mm reel.
2. Complete CTS part number, frequency value and date code information must appear on reel and carton labels.



Addendum

Common Frequencies Available – MHz

FREQUENCY	FREQUENCY CODE	FREQUENCY	FREQUENCY CODE	FREQUENCY	FREQUENCY CODE	FREQUENCY	FREQUENCY CODE
10.000000	100	100.000000	1000	161.132800	1611		
19.440000	194	125.000000	1250	200.000000	2000		
25.000000	250	133.000000	1330				
27.000000	270	150.000000	1500				
40.000000	400	155.520000	1555				
44.736000	447	156.250000	1562				
50.000000	500	156.253900	156E				
74.175800	74A	156.257812	156H				
74.250000	742	156.258750	156J				
77.760000	777	156.269530	156G				