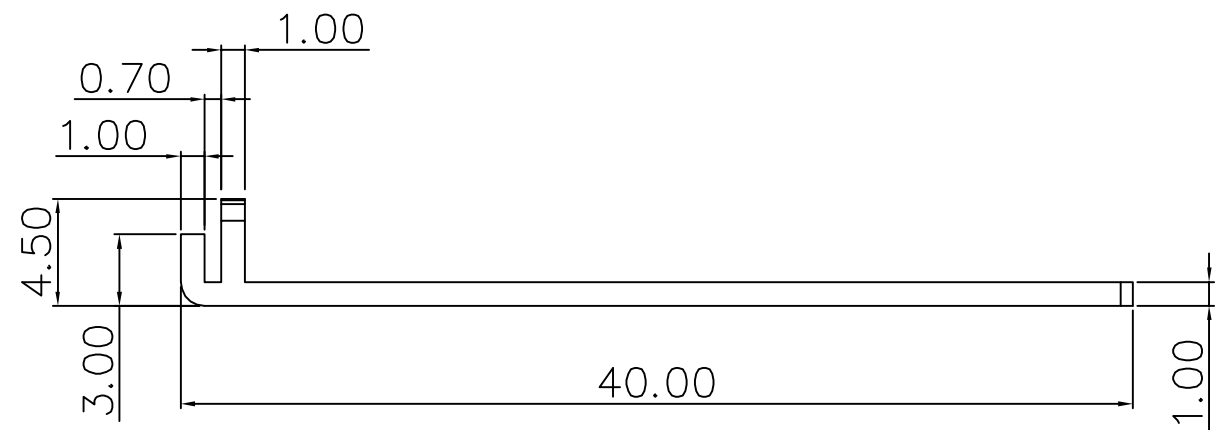
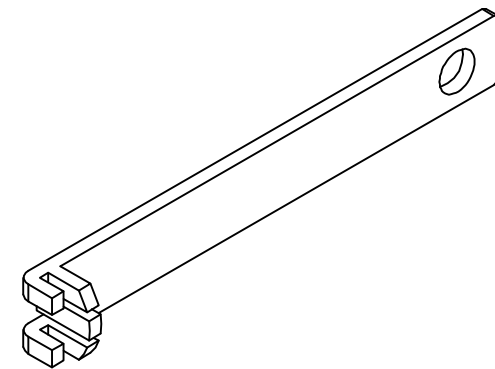
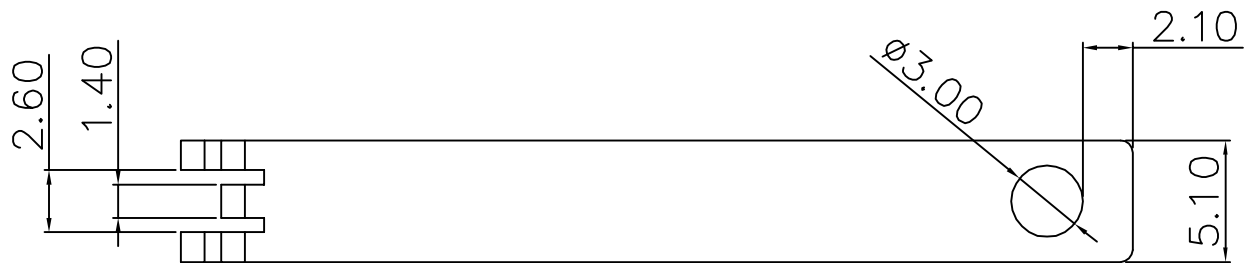


REV	DESCRIPTION	DRAWN	DATE



NO	Description	Qty	Material	Finish	UNLESS OTHERWISE SPECIFIED	* MAJOR DIMENSION	APPROVED	CHANGHONG CHANG HONG TECHNOLOGY Co., Ltd.	
1	TOOL	1	stainless steel	none	1.REMOVE ALL BURRS. 2.BREAK ALL CONNERS & EDGES CO.15 MAX. 3.CHAMFER 1ST & LAST THREADS 45°. 4.DIAMETERS ON COMMON CENTERS. TO BE CONCENTRIC WITHIN 0.1 TLR. 5.ALL DIMENSIONS ARE AFTER PLATING.	UNLESS OTHERWISE NOTED TOLERANCES 0.5-6=±0.2 6-30=±0.4 30-120=±0.6 120-315=±1.0 ANGLES=±1°		TITLE MHF IPEX push/pull tool	
							CHECKED	DRAWING NO. IPEX-T-01	REV A
							DRAWN andrew	FILE NO.	
							SCALE 4/1 UNIT MM	DRAWN DATE	