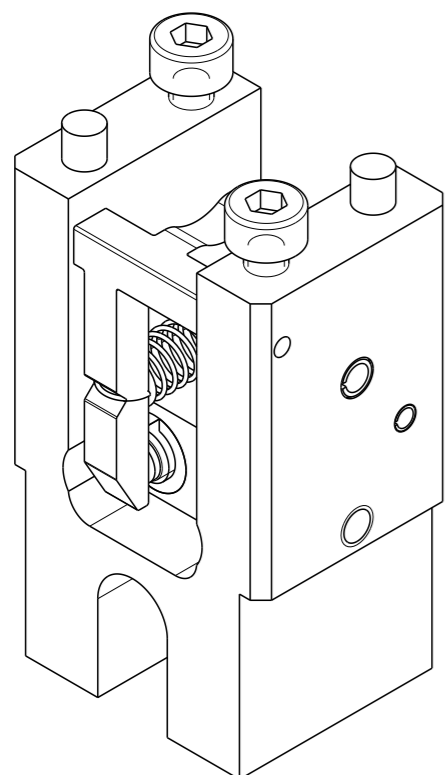
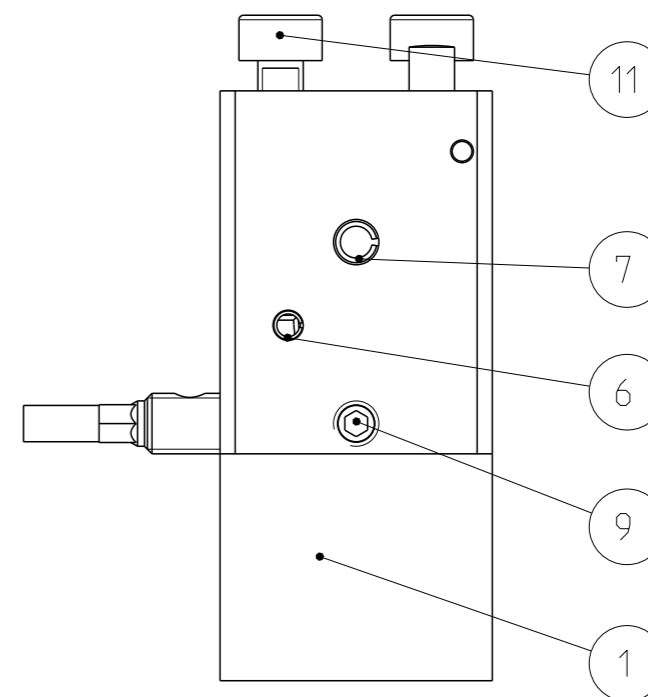
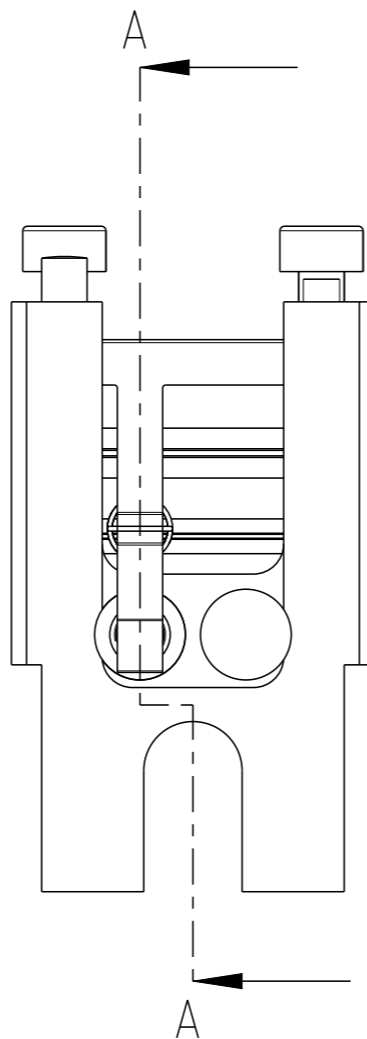
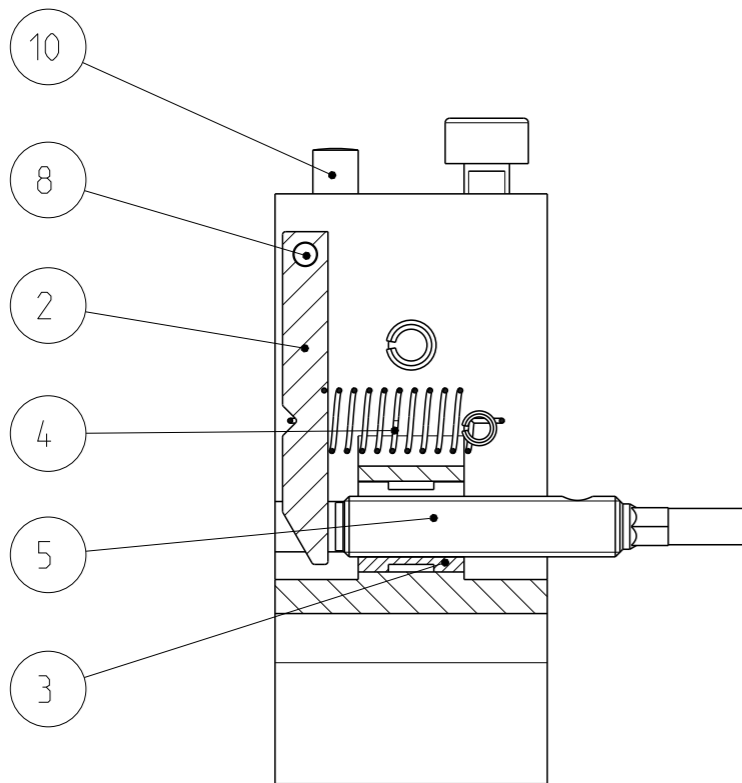


THIS DRAWING IS UNPUBLISHED. RELEASED FOR PUBLICATION 20  
 © COPYRIGHT 20 BY - ALL RIGHTS RESERVED.


REVISIONS

P	LTR	DESCRIPTION	DATE	DWN	APVD
	C	INITIAL RELEASE	30OCT2015	MB	-
	D	ECR-16-006730	10MAY2016	MB	KL

A-A



POS	QTY	TE/PN	PART REV	DESCRIPTION	WEAR	SPARE
1	1	7-539949-2	B	AMBOSSUNTERTEIL anvil-lower part	-	-
2	1	510853-4	D	WIPPE ROCKER	-	-
3	1	7-539949-3	B1	KLEMMHUELSE clamp sleeve	-	-
4	1	5-653860-5	A	ZUGFEDER Z-016 TENSION SPRING	-	YES
5	1	2256719-1	A	SENSOR -	-	YES
6	1	2-519056-7	A	Spannstift 2x24 DIN 1481 2*24 DIN 1481	-	YES
7	1	5-519056-7	A	Spannstift 3x24 DIN 1481 3*24 DIN 1481	-	YES
8	1	8-519052-2_GATD_DKB	A	Zyl.-Stift 1.5m6x20 DIN 6325 PIN 5m6x16 DIN 6325	-	-
9	1	1-519011-9	B	SCREW M3x4 DIN 913 -	-	YES
10	2	3-508368-7	A	ZYLINDERSTIFT DIN 6325 3x8 PIN DIN 6325 3x8	-	YES
11	2	1-519000-1_GATD_DKB	A2	Zylinderschr. M3x6 DIN 912 SCREW DIN EN ISO 4762	-	YES

THIS DRAWING IS A CONTROLLED DOCUMENT.		DWN G.BILECKI	12NOV2004	 TE Connectivity	
DIMENSIONS: mm		CHK -	APVD -		
TOLERANCES UNLESS OTHERWISE SPECIFIED:		PRODUCT SPEC -		APPLICATION SPEC -	
0 PLC ± 1 PLC ± 2 PLC ± 3 PLC ± 4 PLC ± ANGLES ±		WEIGHT 120g		SIZE A3	RESTRICTED TO -
MATERIAL -		FINISH -		CAGE CODE -	DRAWING NO G=7-539949-4
Customer Drawing				SCALE 2:1	SHEET 1 OF 1
				REV D	