

5

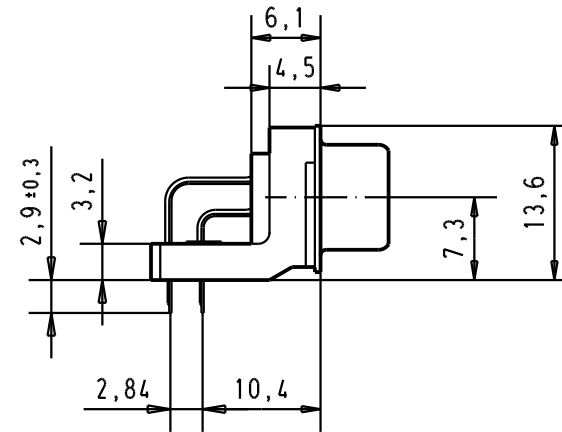
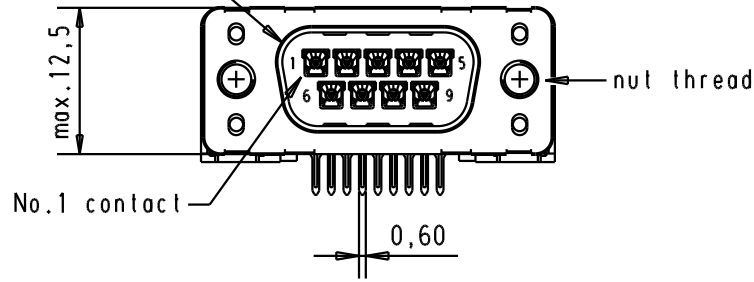
4

3

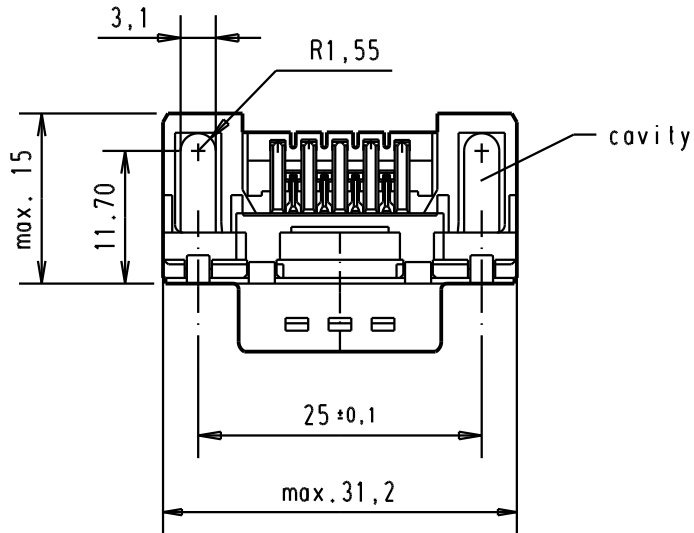
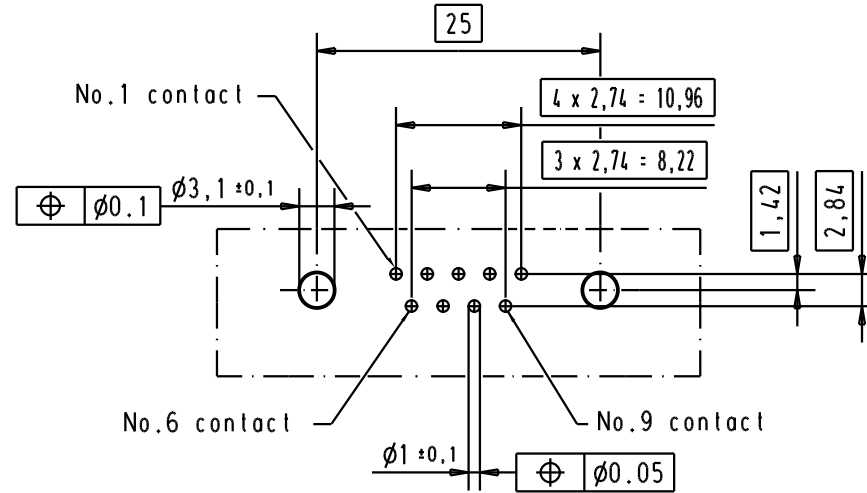
2



1

Mating face according to : MIL-C-24308 / DIN 41652 / CECC 75301-802



PCB layout component side



A	09 65 123 3801		M3	1					Dat.	Name	 All Dim. in mm Orig. Size DIN A 4	D-Sub, male, standard angle, 09 poles, with solder pin, nut and hole	Maßstab/ Scale  1.5:1	
	09 65 123 6801		M3	2					Detail.	13/dec/00				ALSPACE
	09 65 123 7801		M3	3	31892	22/04/04	JH	Insp.						
	09 65 123 3802		4-40 UNC	1	29773	18-APR-02	CV	Stand.						
	09 65 123 6802		4-40 UNC	2	29689	02/07/01	AA							
	09 65 123 7802		4-40 UNC	3	27960	13/dec/00	ALSPACE							
	Part number		Nut thread	Performance level	Mod.	Dat.	Name	HARTING EURL F-95972 Paris					TB 0965123x80x Sub.	Blatt/ Page 2