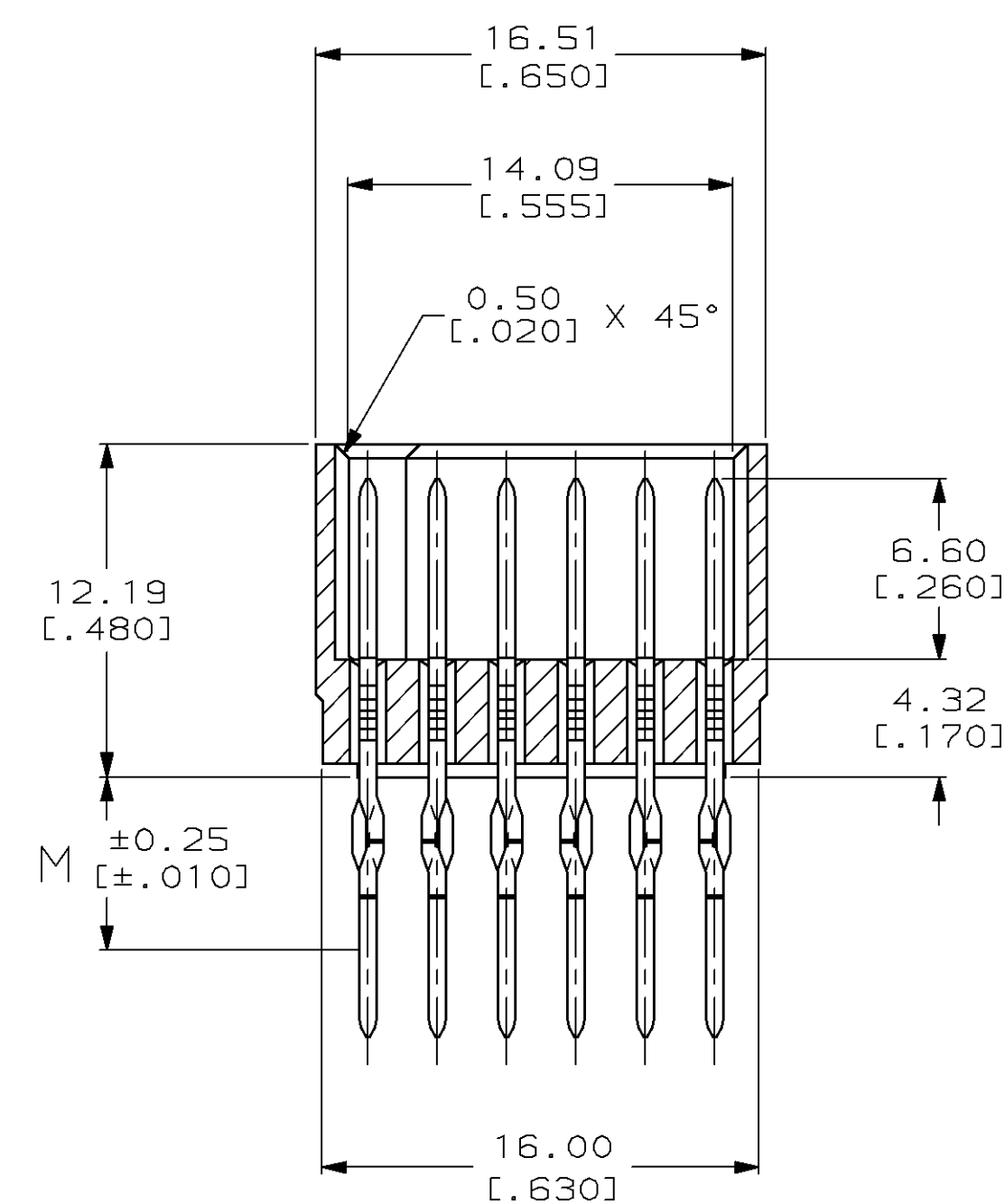
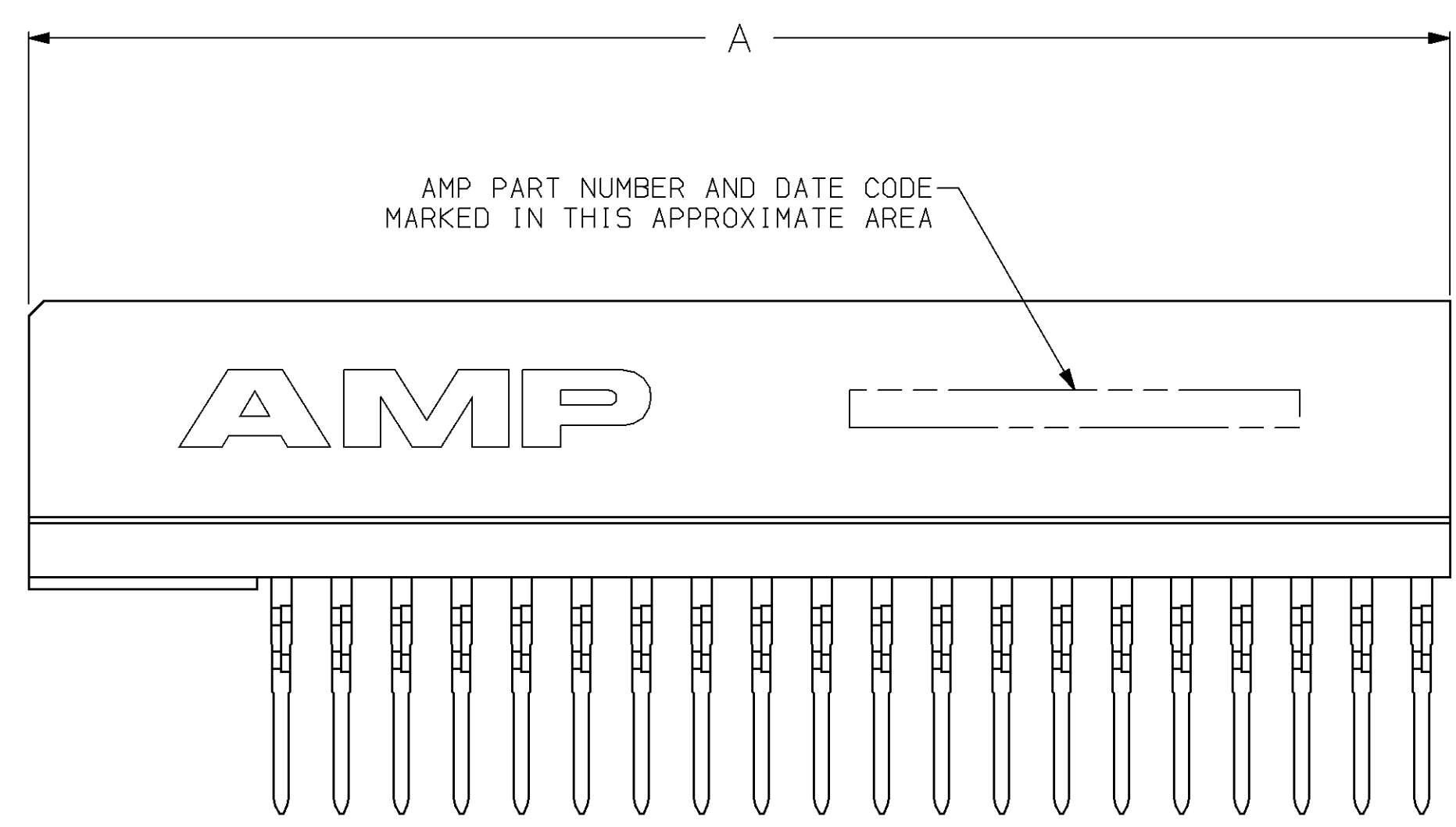
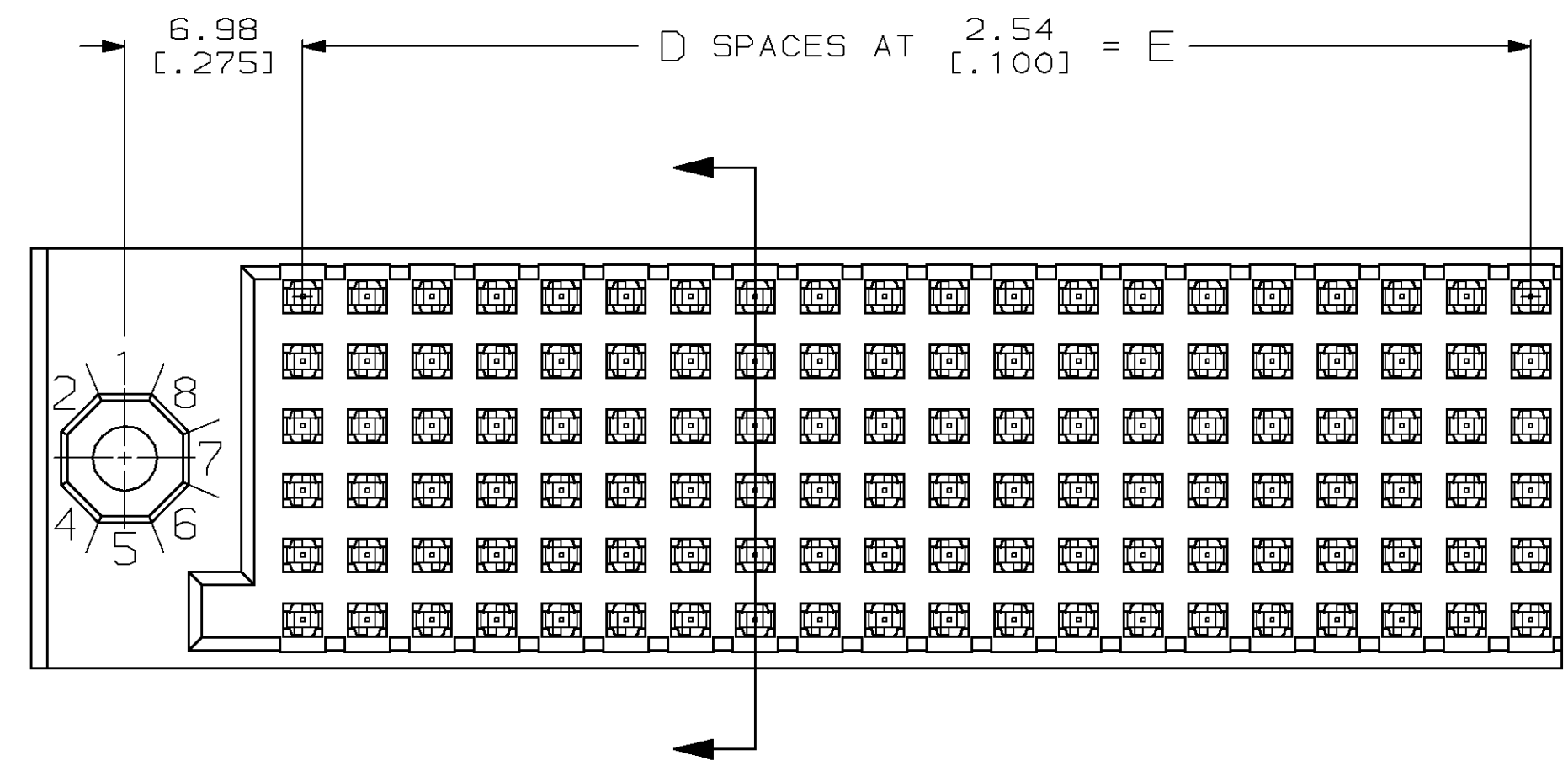
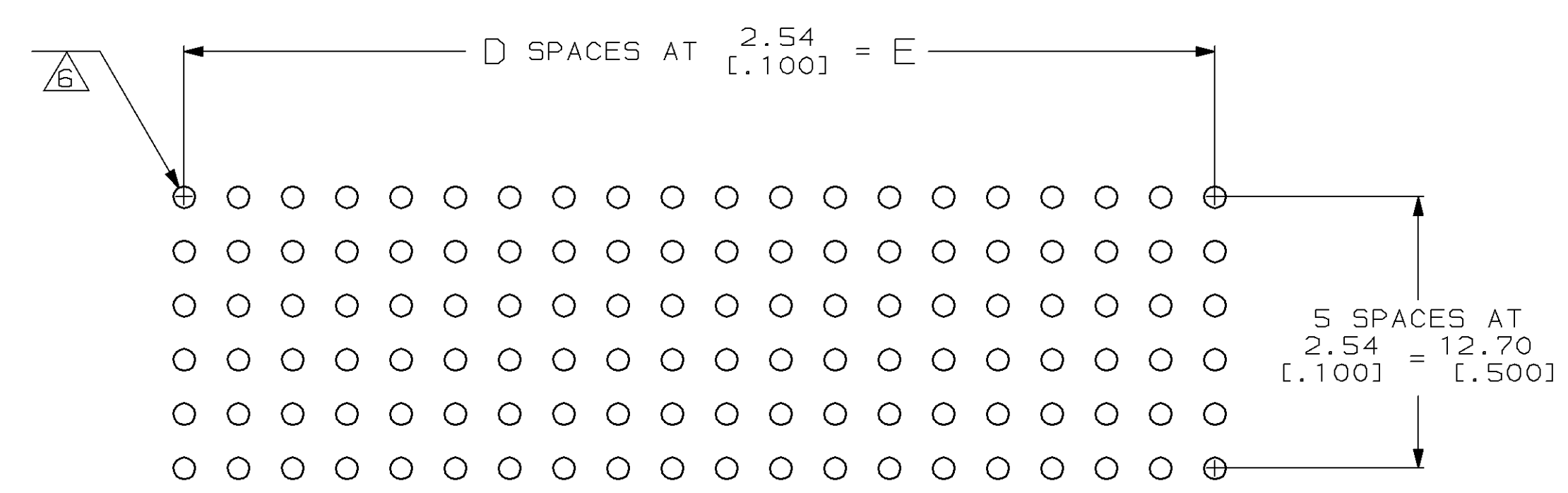


LOC		DIST		P		F		ZONE		LTR		REVISIONS				
AD	25											DESCRIPTION	DATE	APPD		
												C	ECN AD5182	-	-	
												D	REVISED PER ECN 0010-0984-93 T.S.	9-21-93	NS	
												E	PER EC 1422-95	T.S.	4-22-96	DH
												F	PER EC 0730-96	T.S.	7-2-96	JR

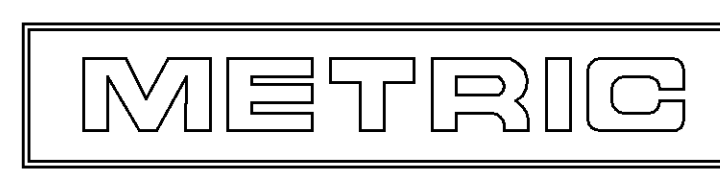


- ① HOUSING MATERIAL: GLASS FILLED POLYESTER, COLOR: BLACK.
- ② CONTACT MATERIAL: PHOSPHOR BRONZE.
- ③ CONTACT FINISH: 0.00127 [.000050] NICKEL UNDERPLATE ALL OVER. 0.00076 [.000030] GOLD PLATE IN CONTACT AREAS. TIN PLATE ON TAILS.
- ④ CONTACT FINISH: 0.00127 [.000050] NICKEL UNDERPLATE ALL OVER. 0.00076 [.000030] GOLD IN CONTACT AREAS AND LOWER 5.08 [.200] OF POSTS. GOLD FLASH ON REMAINDER.
- 5. GUIDE PINS AND KEYS SOLD SEPARATELY.
- ⑥ ACTION PIN POSTS REQUIRE 2.36 [.093] MIN THICK P.C. BOARD. RECOMMENDED P.C. BOARD HOLES ARE 1.151 [.0453] DIA PLATED THRU WITH 0.025-0.076 [.001-.003] COPPER AND 0.0076 [.0003] MIN TIN-LEAD. AFTER PLATING FINISHED HOLES SHALL BE 0.94-1.09 [.037-.043] DIA; AFTER REFLOW 0.91-1.09 [.036-.043] DIA.

OBSOLETE	④	9.52 [.375]	48.26 [1.900]	19	61.15 [2.368]	40	80	120	535843-8
OBSOLETE	④	9.52 [.375]	35.56 [1.400]	14	47.45 [1.868]	30	60	90	535843-7
	④	14.09 [.555]	48.26 [1.900]	19	61.15 [2.368]	40	80	120	535843-6
	④	14.09 [.555]	35.56 [1.400]	14	47.45 [1.868]	30	60	90	535843-5
	④	17.37 [.684]	48.26 [1.900]	19	61.15 [2.368]	40	80	120	535843-4
	④	17.37 [.684]	35.56 [1.400]	14	47.45 [1.868]	30	60	90	535843-3
	③	6.35 [.250]	48.26 [1.900]	19	61.15 [2.368]	40	80	120	535843-2
	③	6.35 [.250]	35.56 [1.400]	14	47.45 [1.868]	30	60	90	535843-1
FINISH		M	E	D	A	NO OF PLUS CONTACTS	NO OF SIGNAL CONTACTS	POSN	PART NO



RECOMMENDED P.C BOARD LAYOUT



DO NOT SCALE PRINT. UNLESS SPECIFIED DIMENSIONS IN mm [INCHES] TOLERANCES ON: 2 PLC DEC ± 0.12 [.005] 3 PLC DEC ± - ANGLES ± -	DR 11/27/90 R. RINEHART/UTA CHK 9-21-93 N. SCHROLL APPD 9-21-93 N. SCHROLL PRODUCT SPEC -	AMP Incorporated Harrisburg, PA 17105-3608	
MATERIAL ① ②	APPD 9-21-93 N. SCHROLL PRODUCT SPEC -	NAME TBC PLUS PIN ASSEMBLY MODULAR LEFT MODULE FULLY LOADED	
FINISH SEE TABLE	APPLICATION SPEC -	SIZE D	CAGE CODE 00779
	WEIGHT -	SCALE 4:1	DRAWING NO 535843
			SHEET 1 OF 1