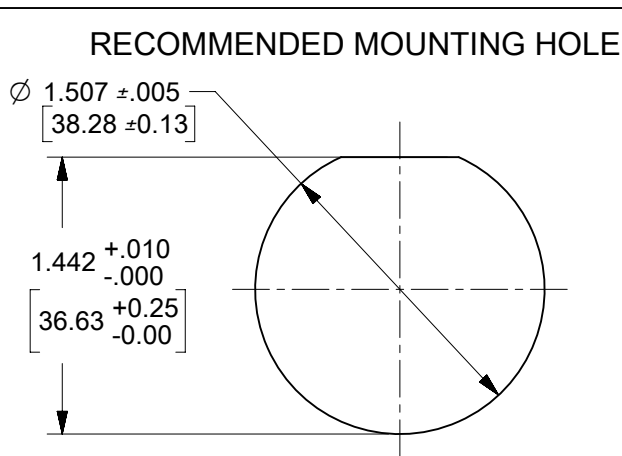
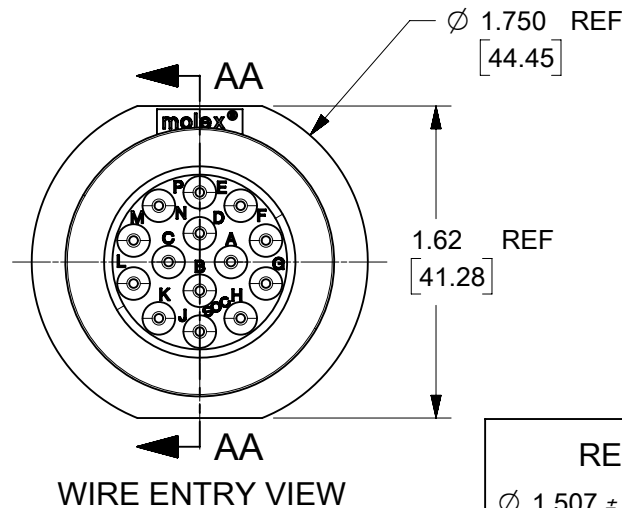
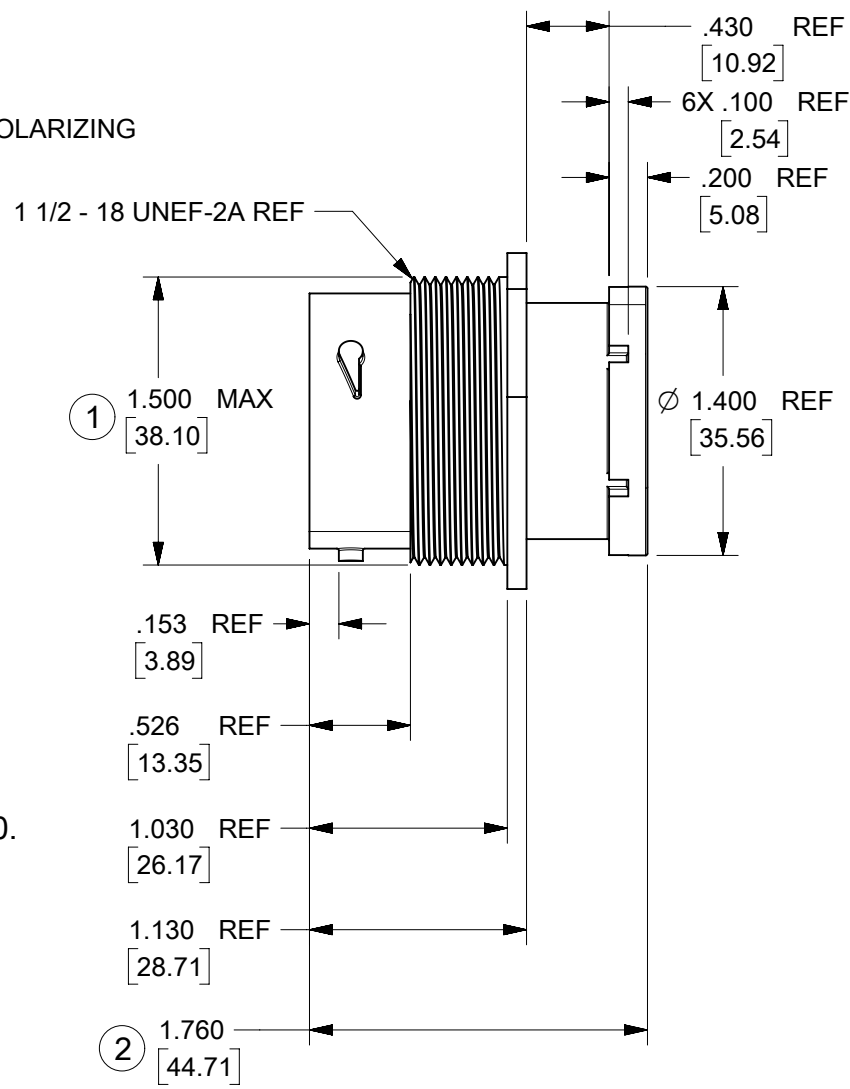
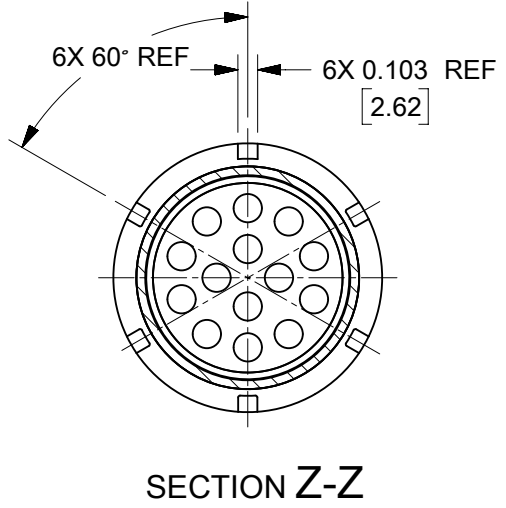
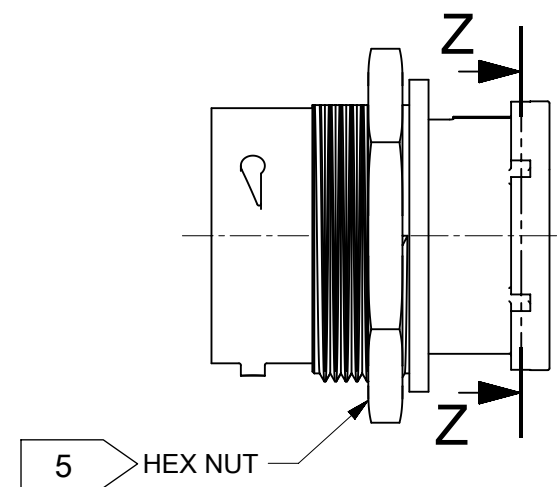
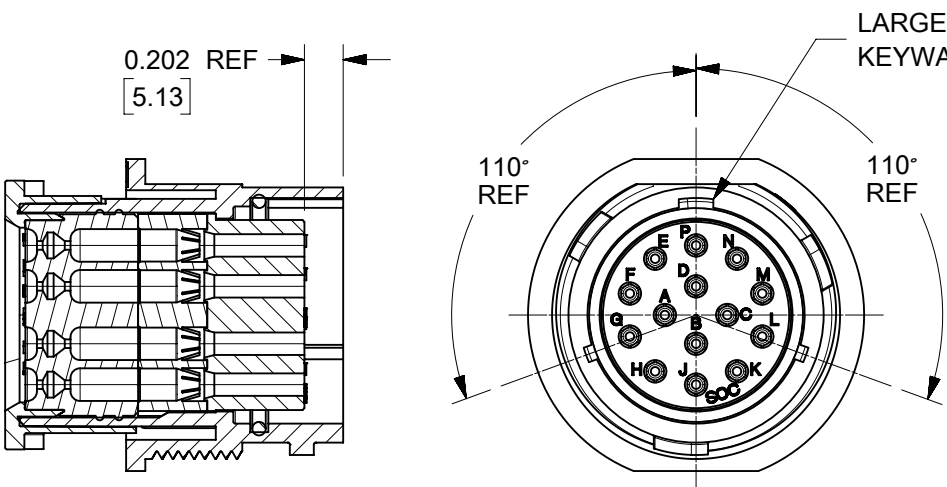
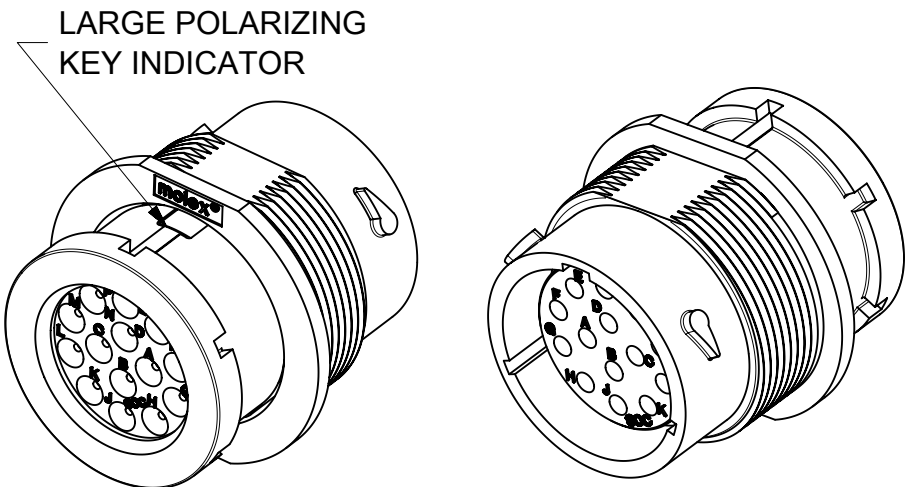


10	9	8	7
MATERIAL NUMBER	WIRE AWG	INSUL DIA O.D.	
845080001	18-14	.053[1.35] - .134[3.40]	



- NOTES:
- MATERIALS:  
HOUSINGS: POLYESTER (PBT), GLASS FILLED, UL94V-0 & POLYETHERIMIDE (PEI), UNFILLED, UL94V-0.  
COLOR, UNLESS OTHERWISE SPECIFIED: BLACK  
SEALS: SILICONE RUBBER  
COLOR: RUST RED
  - PRODUCT SPECIFICATION: PS-84501-001.
  - MATES WITH: SERIES 84501 PLUG CONNECTOR.
  - USE CONNECTOR WITH FEMALE CRIMP TERMINAL SERIES 84525.
- 5 HEX NUT SOLD SEPARATELY, OPTIONAL FOR PANEL MOUNTING.  
MOLEX MATERIAL NUMBER 845020004.
6. RECOMMENDED PANEL THICKNESS .062[1.58] TO .187[4.76]

LAST INSPECTION NUMBER: 2

THIS DRAWING CONTAINS INFORMATION THAT IS PROPRIETARY TO MOLEX ELECTRONIC TECHNOLOGIES, LLC AND SHOULD NOT BE USED WITHOUT WRITTEN PERMISSION											
DIMENSION UNITS		SCALE		CURRENT REV DESC:							
HYBRID		1:1									
GENERAL TOLERANCES (UNLESS SPECIFIED)				EC NO: 623621							
		MM	INCH	DRWN: AJOBRIEN		2019/08/07					
4 PLACES ±				CHK'D: IOCONNELL		2019/10/14					
3 PLACES ±			± 0.015	APPR: IOCONNELL		2019/10/16		RECP.T. CONNECTOR ASSEMBLY, 18-14 POS SOCKET TERMINALS			
2 PLACES ±		0.38	± 0.02	INITIAL REVISION:				PRODUCT CUSTOMER DRAWING			
1 PLACE ±		0.5		DRWN: DMYRICK		2006/06/26		DOCUMENT NUMBER			
0 PLACES ±				APPR: RDEROSS		2006/06/26		SD-84508-001			
ANGULAR TOL ±		1.0°		THIRD ANGLE PROJECTION		DRAWING		SERIES		MATERIAL NUMBER	
DRAFT WHERE APPLICABLE MUST REMAIN WITHIN DIMENSIONS				B-SIZE		84508		SEE CHART		CUSTOMER	
								GENERAL MARKET		SHEET NUMBER	
										1 OF 1	