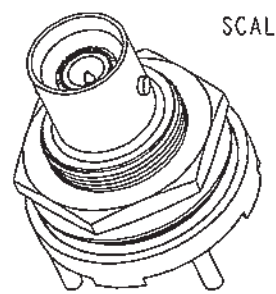
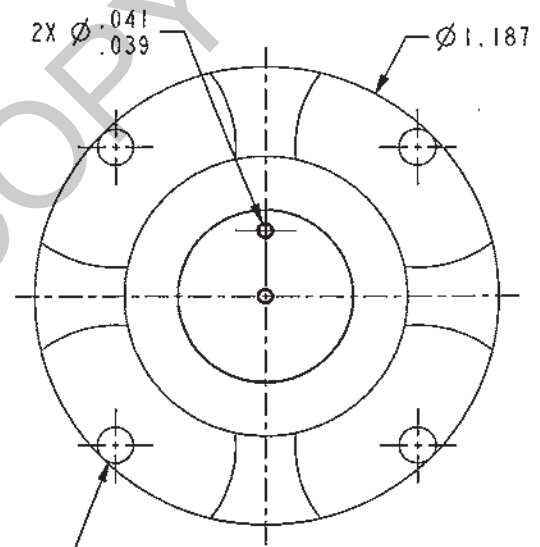
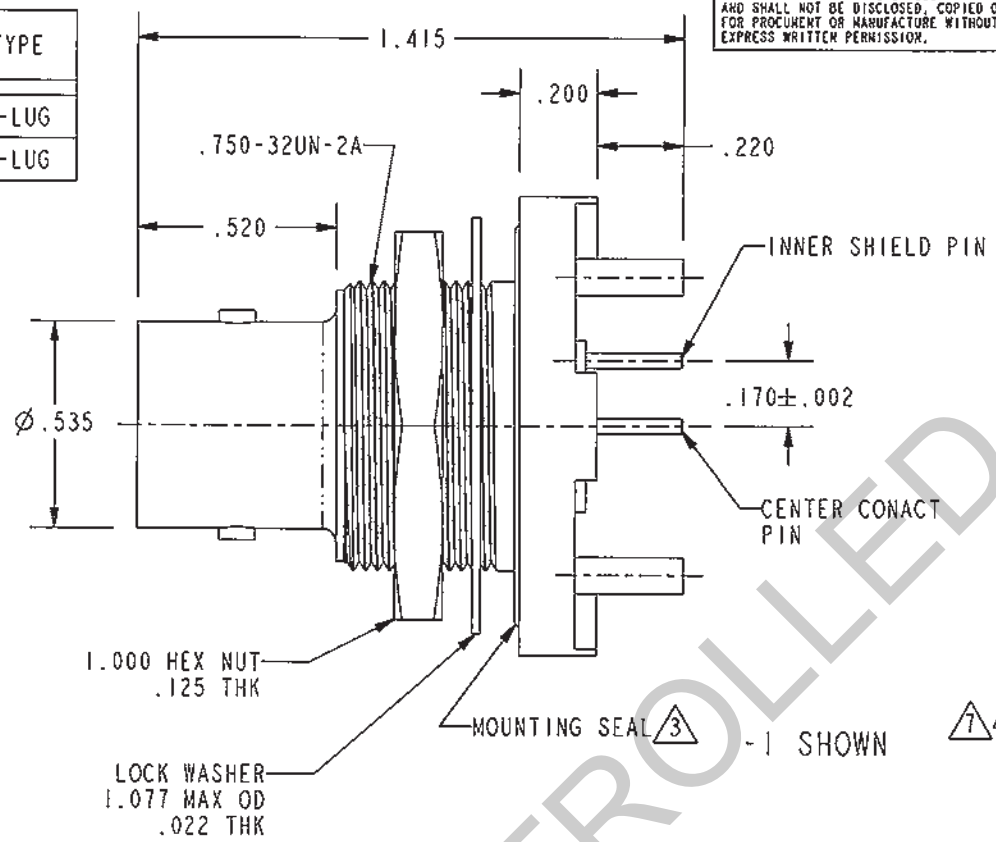


DASH NO	MODEL NO	TYPE
-1	CBBJ82	2-LUG
-2	CBBJ823	3-LUG

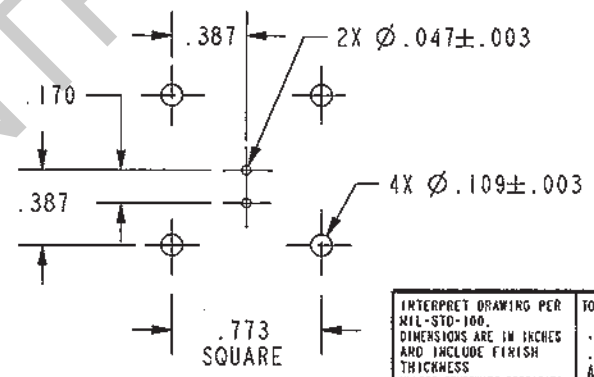
DATA CONTAINED IN THIS DOCUMENT IS PROPRIETARY TO TROMPETER ELECTRONICS INC. AND SHALL NOT BE DISCLOSED, COPIED OR USED FOR PROCUREMENT OR MANUFACTURE WITHOUT EXPRESS WRITTEN PERMISSION.

REVISIONS			
REV	DESCRIPTIONS	DATE	APPROVED
F	REVISED PER ECO 14566	5/29/02	WJ



SCALE 1/1

RED INDICATES ORIGINAL



- 7 PRE-TINNED, .0015 MAXIMUM THICKNESS WITH SN63 OR EQUIV SOLDER, PER QQ-S-571, TO WITHIN .060 MAXIMUM OF SHOULDER, AFTER PLATING
- 6. INTERFACE: TCS-BJ80
- 5. MAX BOARD THK .190
- 4. MAX PANEL THK .250 (WITH 2 FULL THD EXPOSED)
- 3 PARKER SEAL NO. 2-021S604-70 (.926 GLAND ID)
- 2. FINISH: TFS-1A (NICKEL)
- 1. CONCENTRIC TWINAX/TRIAX, SERIES TRC, CIRCUIT BOARD/BULKHEAD JACK

RECOMMENDED
MTG HOLE PATTERN
SCALE 1/1

INTERPRET DRAWING PER MIL-STD-100. DIMENSIONS ARE IN INCHES AND INCLUDE FINISH THICKNESS UNLESS OTHERWISE SPECIFIED.		TOL: UNLESS SPECIFIED. .XX ± .02 .XXX ± .005 ANGLE ± 1°	
DRN JCM	5-28-02	MATERIAL:	TITLE:
CHK TSW	5/29/02	FINISH:	CBBJ82/CBBJ823
QUALITY	5/29/02	SEE NOTE 2	SIZE A
MANUF	5/29/02		CAGE CODE 14949
APPROVED WJ	5/29/02		DRAWING NO. 3-0041
PROJECT NO. 3-0041		DO NOT SCALE DWG	REV. F



NOTES: UNLESS OTHERWISE SPECIFIED.

NEXT ASSY	DATE	SHEET
	7-12-79	IC