

AMPHENOL PART NUMBER CONFIGURATION
UE86-3G6420-00361

- LIGHT PIPE OPTION**
- 0 - NO LIGHT PIPE
 - 1 - 4 LP PER 2X1, NORMAL ORIENTATION
 - 2 - 2 INNER LP PER 2X1, NORMAL ORIENTATION
 - 3 - 2 OUTER LP PER 2X1, NORMAL ORIENTATION
 - 4 - 4 LP PER 2X1, REVERSING ORIENTATION
 - 5 - 2 INNER LP PER 2X1, REVERSING ORIENTATION
 - 6 - 2 OUTER LP PER 2X1, REVERSING ORIENTATION
 - 7 - 3 LP PER 2X1, 2 OUTER LP, NORMAL ORIENTATION
 - 8 - 3 LP PER 2X1, 2 OUTER LP, REVERSING ORIENTATION

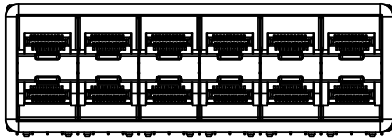
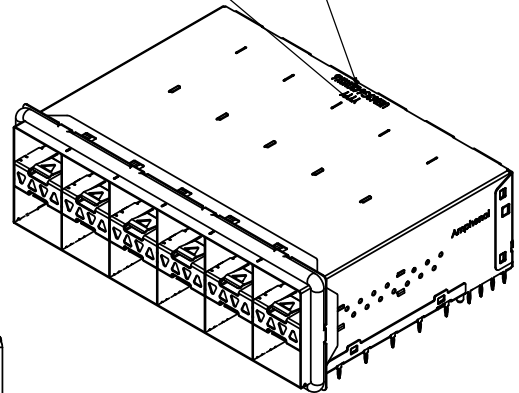
PACKAGING
 1 - TRAY PACKAGING (STACKED)

- PLATING OPTIONS FOR CONNECTOR**
- 2 - 30µ" GOLD PLATING ON MATING AREA
 - 15-100µ" MATTE TIN ON TERMINATION
 - 3 - 30µ" GOLD PLATING ON MATING AREA
 - 150-300µ" MATTE TIN ON TERMINATION
 - 5 - 15µ" GOLD PLATING ON MATING AREA
 - 15-100µ" MATTE TIN ON TERMINATION
 - 6 - 15µ" GOLD PLATING ON MATING AREA
 - 150-300µ" MATTE TIN ON TERMINATION

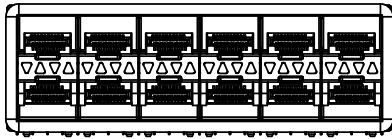
REVISIONS				
REV.	ECN	DESCRIPTION	DATE	APPROVED
A		INITIAL RELEASE	02/12/2014	J. SI
B		UPDATE PLATING OPTIONS	JUN 25/14	J.SI
C		UPDATE NOTES	AUG 19/14	J.SI

PART NUMBER
 (LAST DIGIT INDICATING
 PACKAGING TYPE, NOT
 PRINTED ON THE PART)

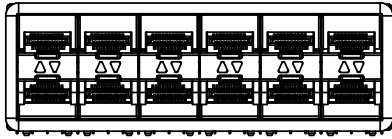
DATE CODE



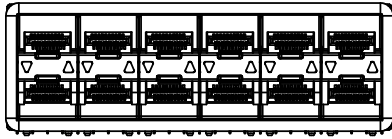
NO LIGHT PIPES
 UE86-3G6420-00361



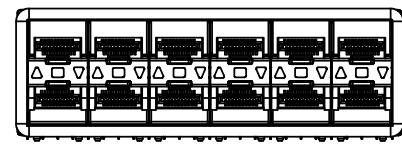
4 LIGHT PIPES
 UE86-3G6420-10361



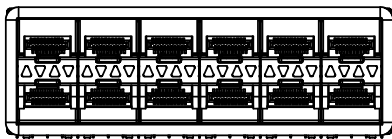
2 INNER LIGHT PIPES
 UE86-3G6420-20361



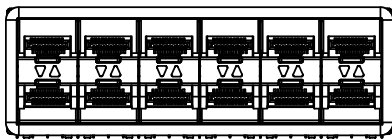
2 OUTER LIGHT PIPES
 UE86-3G6420-30361



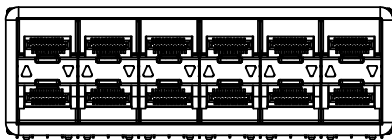
3 LIGHT PIPES UPSIDE DOWN
 UE86-3G6420-80361



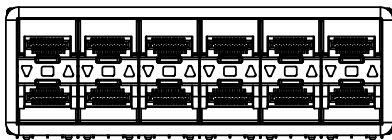
4 LIGHT PIPES UPSIDE DOWN
 UE86-3G6420-40361



2 INNER LIGHT PIPES UPSIDE DOWN
 UE86-3G6420-50361



2 OUTER LIGHT PIPES UPSIDE DOWN
 UE86-3G6420-60361



3 LIGHT PIPES
 UE86-3G6420-70361

MATERIAL: (RoHS COMPLIANT)

1. CAGE - PRESS FIT: COPPER ALLOY (NICKEL SILVER)
2. CONNECTOR - PRESS FIT:
 - PLASTIC HOUSING: LCP, FLAMMABILITY RATING UL94-V0
 - CONTACTS: PHOSPHOR BRONZE
3. LIGHT PIPE: CLEAR POLYCARBONATE, FLAMMABILITY RATING UL94-V0
4. PACKAGING: TRAY PACKAGING
5. TEMPERATURE RANGE: -40°C TO +85°C
6. EMI GASKET: CONDUCTIVE ELASTOMER UL94-V0



THIS DOCUMENT CONTAINS PROPRIETARY INFORMATION AND SUCH INFORMATION MAY NOT BE DISCLOSED TO OTHERS FOR ANY PURPOSE OR USED FOR MANUFACTURING PURPOSES WITHOUT WRITTEN PERMISSION FROM AMPHENOL CANADA CORP.

UNLESS SPECIFIED OTHERWISE	DRAWN	P. OU	FEB10/14
DIMENSIONS ARE IN MILLIMETERS	CHECKED	J. SI	FEB 12/14
REFERENCE IN PARENTHESES	M.E. APPD		
GENERAL TOLERANCES	Q.A. APPD		
1 DECIMAL PLACE ±0.25	DWG APPD	J. SI	FEB 12/14
2 DECIMAL PLACE ±0.15	MATERIAL AND FINISH	SEE NOTES	
3 DECIMAL PLACE N/A	REF.	ECN Exxxxx	
ANGULAR DEGREES ±1°	THIRD ANGLE PROJECTION	DO NOT SCALE DRAWING	
ENG. REL. NO.			

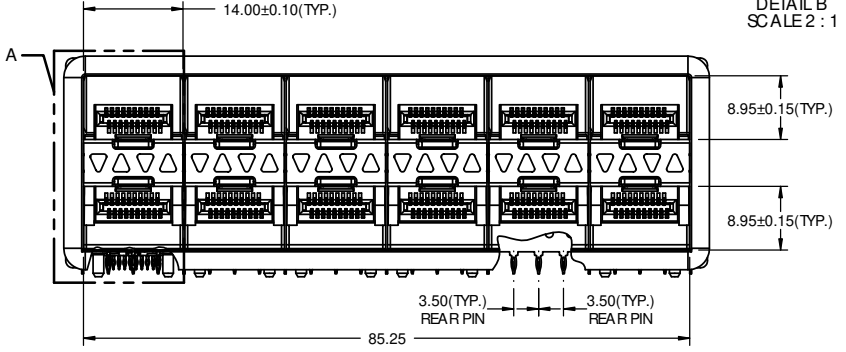
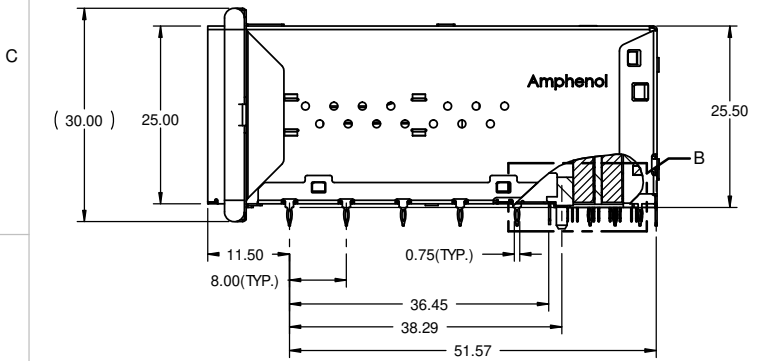
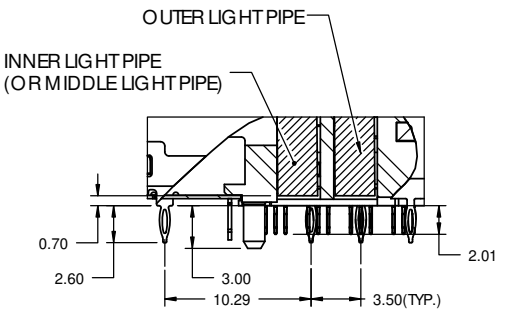
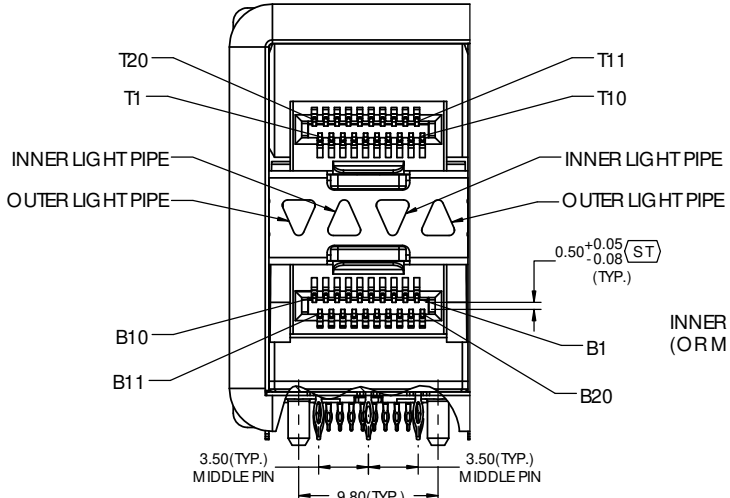
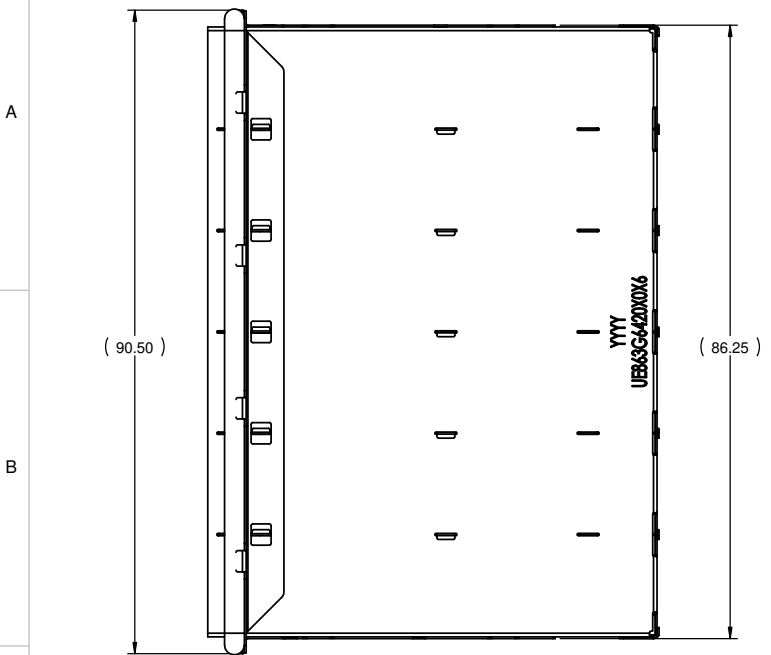
Amphenol High Speed Interconnects
 A Division of Amphenol Corp. www.amphenolcanada.com

2X6 SFP ULTRA PORT WITH LIGHT PIPE OPTIONS AND EMI GASKET VERSION

DWG. NO.	P-UE86-3G6420-X0X61	REV	C
CODE ID NO.	03554	DWG SIZE:	A4
SCALE:	2:3	SHEET 1 OF 5	

1 2 3 4 5 6

REVISIONS				
REV.	ECN	DESCRIPTION	DATE	APPROVED
A		INITIAL RELEASE	02/12/2014	J. SI
B		UPDATE PLATING OPTIONS	JUN 25/14	J.SI
C		UPDATE NOTES	AUG 19/14	J.SI



THIS DOCUMENT CONTAINS PROPRIETARY INFORMATION AND SUCH INFORMATION MAY NOT BE DISCLOSED TO OTHERS FOR ANY PURPOSE OR USED FOR MANUFACTURING PURPOSES WITHOUT WRITTEN PERMISSION FROM AMPHENOL CANADA CORP.

UNLESS SPECIFIED OTHERWISE	DRAWN	P. OU	FEB10/14
DIMENSIONS ARE IN MILLIMETERS	CHECKED	J. SI	FEB 12/14
REFERENCE IN PARENTHESES	M.E. APPD		
GENERAL TOLERANCES	Q.A. APPD		
1 DECIMAL PLACE ±0.25	DWG APPD	J. SI	FEB 12/14
2 DECIMAL PLACE ±0.15	MATERIAL AND FINISH	SEE NOTES	
3 DECIMAL PLACE N/A	REF.	ECN Exxxx	
ANGULAR DEGREES ±1°	THIRD ANGLE PROJECTION	DO NOT SCALE DRAWING	
ENG. REL. NO.			

Amphenol High Speed Interconnects
A Division of Amphenol Corp. www.amphenolcanada.com

2X6 SFP ULTRA PORT WITH LIGHT PIPE OPTIONS AND EMI GASKET VERSION

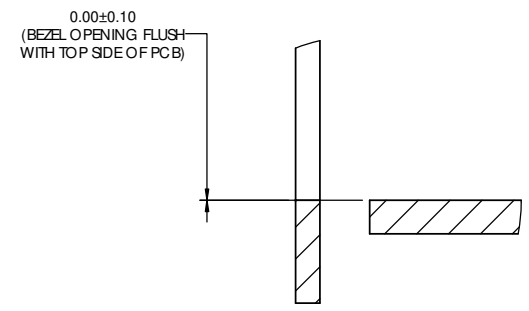
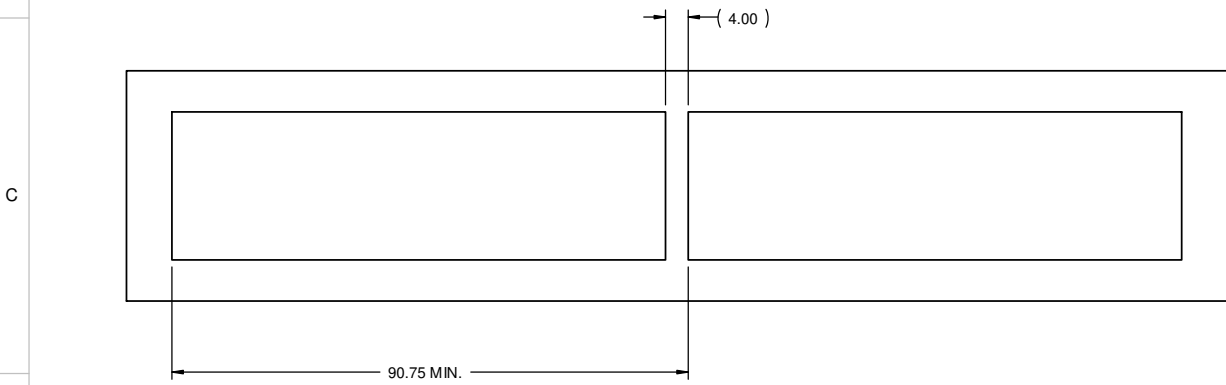
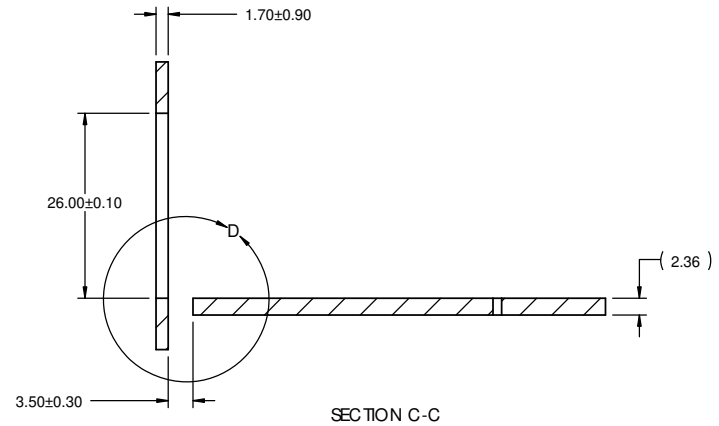
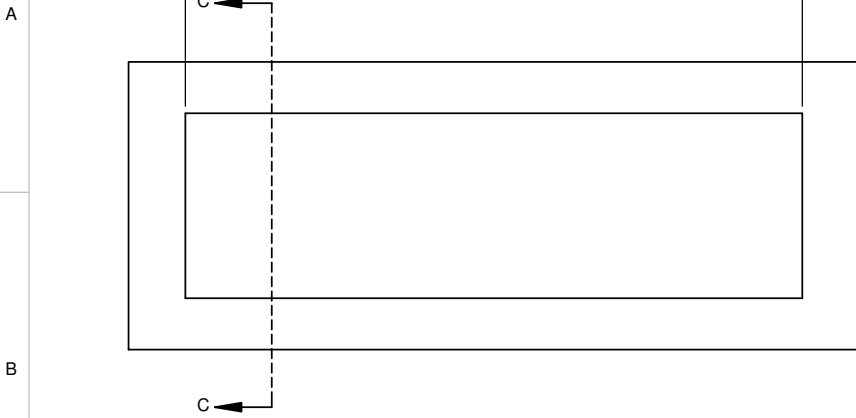
DWG. NO. **P-UE86-3G6420-X0X61** REV **C**

CODE ID NO. 03554 DWG SIZE: A4 SCALE: 1:1 SHEET 2 OF 5

1 2 3

1 2 3 4 5 6

REVISIONS				
REV.	ECN	DESCRIPTION	DATE	APPROVED
A		INITIAL RELEASE	02/12/2014	J. SI
B		UPDATE PLATING OPTIONS	JUN 25/14	J.SI
C		UPDATE NOTES	AUG 19/14	J.SI

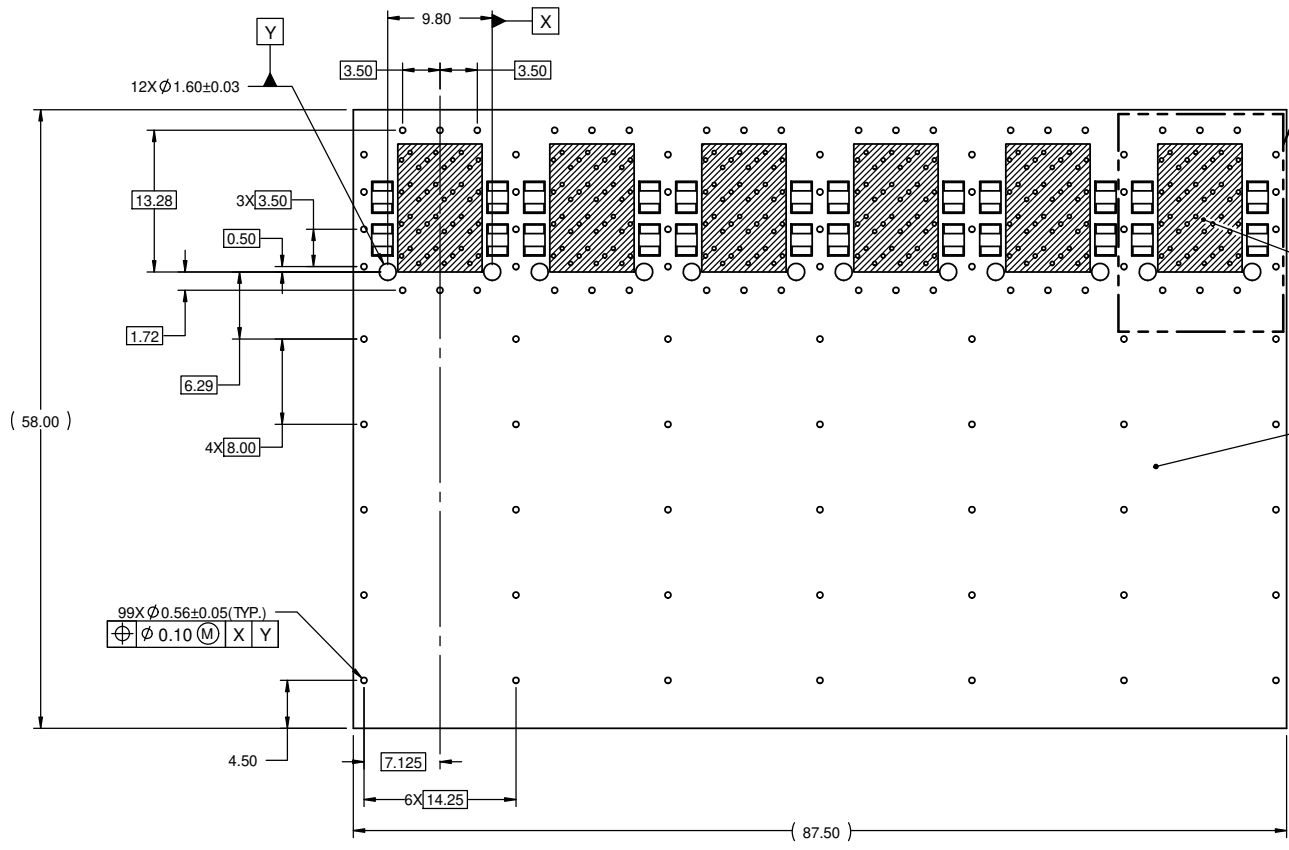


DETAIL D
SCALE 2 : 1

THIS DOCUMENT CONTAINS PROPRIETARY INFORMATION AND SUCH INFORMATION MAY NOT BE DISCLOSED TO OTHERS FOR ANY PURPOSE OR USED FOR MANUFACTURING PURPOSES WITHOUT WRITTEN PERMISSION FROM AMPHENOL CANADA CORP.

UNLESS SPECIFIED OTHERWISE		DRAWN	P. OU	FEB10/14	Amphenol High Speed Interconnects A Division of Amphenol Corp. www.amphenolcanada.com
DIMENSIONS ARE IN MILLIMETERS		CHECKED	J. SI	FEB 12/14	
REFERENCE IN PARENTHESES		M.E. APPD			
GENERAL TOLERANCES		Q.A. APPD			2X6 SFP ULTRA PORT WITH LIGHT PIPE OPTIONS AND EMI GASKET VERSION
1 DECIMAL PLACE	±0.25	DWG APPD	J. SI	FEB 12/14	
2 DECIMAL PLACE	±0.15	MATERIAL AND FINISH	SEE NOTES		
3 DECIMAL PLACE	N/A	REF.	ECN Exxxx		DWG. NO.
ANGULAR DEGREES	±1°	THIRD ANGLE PROJECTION			P-UE86-3G6420-X0X61
ENG. REL. NO.					REV C

REVISIONS				
REV.	ECN	DESCRIPTION	DATE	APPROVED
A		INITIAL RELEASE	02/12/2014	J.SI
B		UPDATE PLATING OPTIONS	JUN 25/14	J.SI
C		UPDATE NOTES	AUG 19/14	J.SI



NOTES:
 1. 0.56 mm DIAMETER HOLES ARE CHASSIS GROUND (99HOLES).

COMPONENT KEEP-OUT AREAS

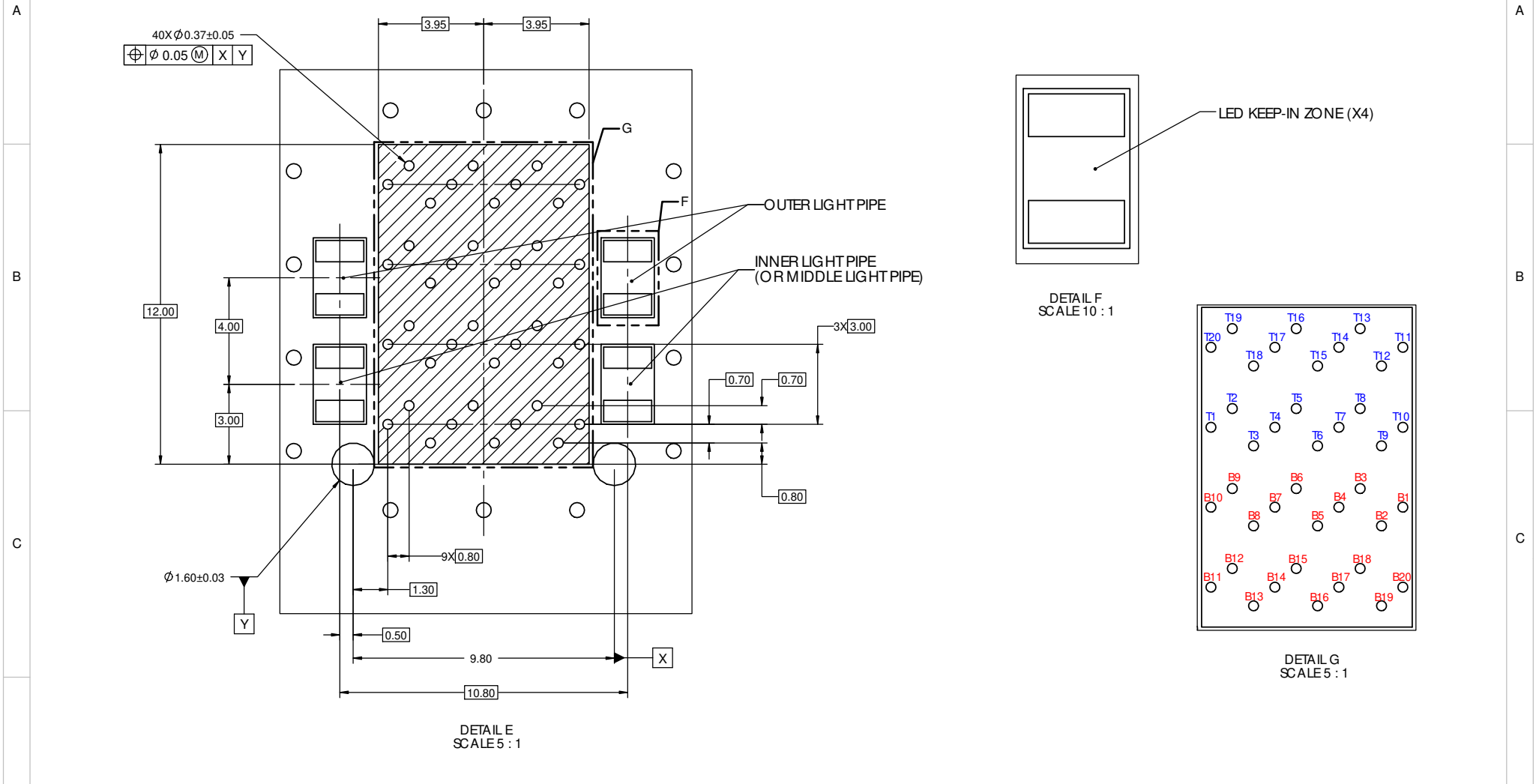
COMPONENT KEEP-OUT AREAS

2X6 PCB LAYOUT

THIS DOCUMENT CONTAINS PROPRIETARY INFORMATION AND SUCH INFORMATION MAY NOT BE DISCLOSED TO OTHERS FOR ANY PURPOSE OR USED FOR MANUFACTURING PURPOSES WITHOUT WRITTEN PERMISSION FROM AMPHENOL CANADA CORP.

UNLESS SPECIFIED OTHERWISE	DRAWN	P. OU	FEB10/14	Amphenol High Speed Interconnects A Division of Amphenol Corp. www.amphenolcanada.com 2X6 SFP ULTRAPORT WITH LIGHT PIPE OPTIONS AND EMI GASKET VERSION	DWG. NO. P-UE86-3G6420-X0X61 REV C
DIMENSIONS ARE IN MILLIMETERS	CHECKED	J. SI	FEB 12/14		
REFERENCE IN PARENTHESES	M.E. APPD				
GENERAL TOLERANCES	Q.A. APPD				
1 DECIMAL PLACE ± 0.25	DWG APPD	J. SI	FEB 12/14		
2 DECIMAL PLACE ± 0.15	MATERIAL AND FINISH	SEE NOTES			
3 DECIMAL PLACE N/A	REF.	ECN Exxxxx			
ANGULAR DEGREES $\pm 1^\circ$	THIRD ANGLE PROJECTION			DO NOT SCALE DRAWING	
ENG. REL. NO.				CODE ID NO. 03554	DWG SIZE: A4 SCALE: 3:2 SHEET 4 OF 5

REVISIONS				
REV.	ECN	DESCRIPTION	DATE	APPROVED
A		INITIAL RELEASE	02/12/2014	J. SI
B		UPDATE PLATING OPTIONS	JUN 25/14	J.SI
C		UPDATE NOTES	AUG 19/14	J.SI



THIS DOCUMENT CONTAINS PROPRIETARY INFORMATION AND SUCH INFORMATION MAY NOT BE DISCLOSED TO OTHERS FOR ANY PURPOSE OR USED FOR MANUFACTURING PURPOSES WITHOUT WRITTEN PERMISSION FROM AMPHENOL CANADA CORP.

UNLESS SPECIFIED OTHERWISE		DRAWN	P. OU	FEB10/14	Amphenol High Speed Interconnects A Division of Amphenol Corp. www.amphenolcanada.com
DIMENSIONS ARE IN MILLIMETERS		CHECKED	J. SI	FEB 12/14	
REFERENCE IN PARENTHESES		M.E. APPD			
GENERAL TOLERANCES		Q.A. APPD			
1 DECIMAL PLACE	±0.25	DWG APPD		J. SI	FEB 12/14
2 DECIMAL PLACE	±0.15	MATERIAL AND FINISH		SEE NOTES	
3 DECIMAL PLACE	N/A	REF.		ECN Exxxxx	
ANGULAR DEGREES	±1°	THIRD ANGLE PROJECTION		DO NOT SCALE DRAWING	
ENG. REL. NO.				DWG. NO. P-UE86-3G6420-X0X61	
				CODE ID NO. 03554	DWG SIZE: A4 SCALE: 2:1 SHEET 5 OF 5

D

A

B

C

A

B

C

1

2

3

4

5

6

1

2

3