

MATERIALS AND FINISHES ;

BODY BRASS
PLATED GOLD

CENTER CONTACT BERYLLIUM COPPER
PLATED GOLD

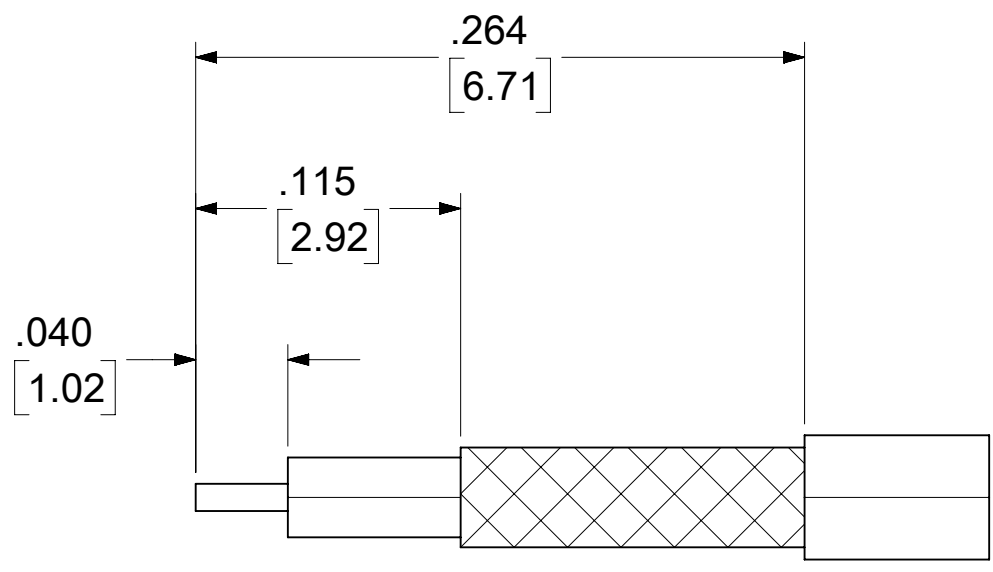
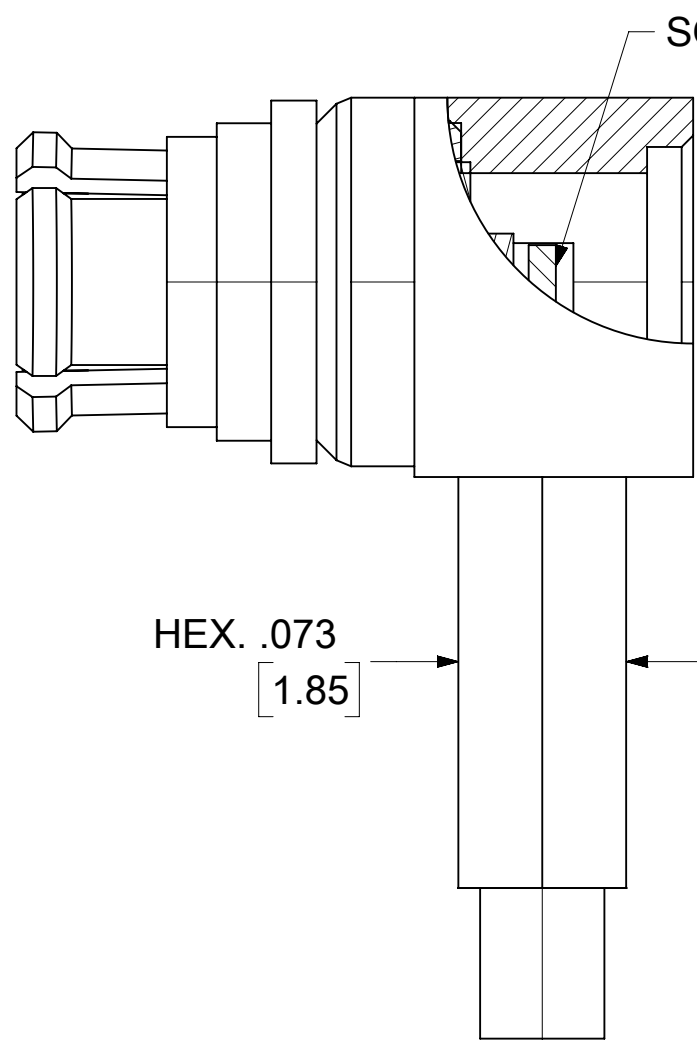
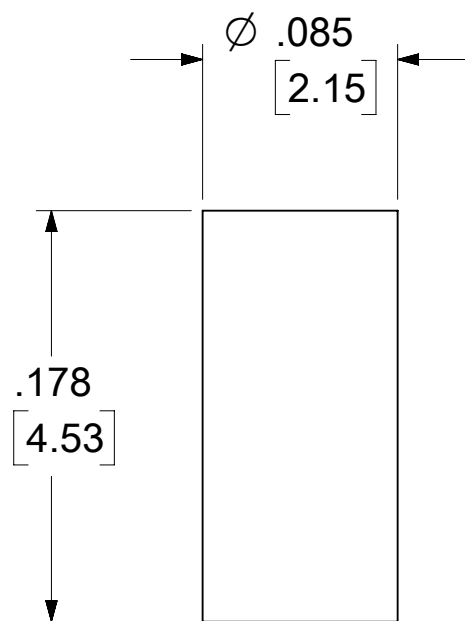
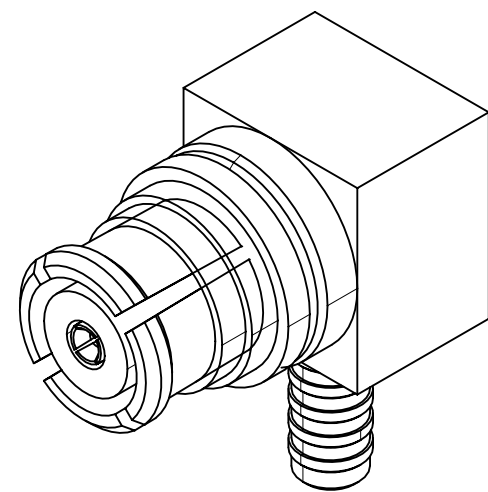
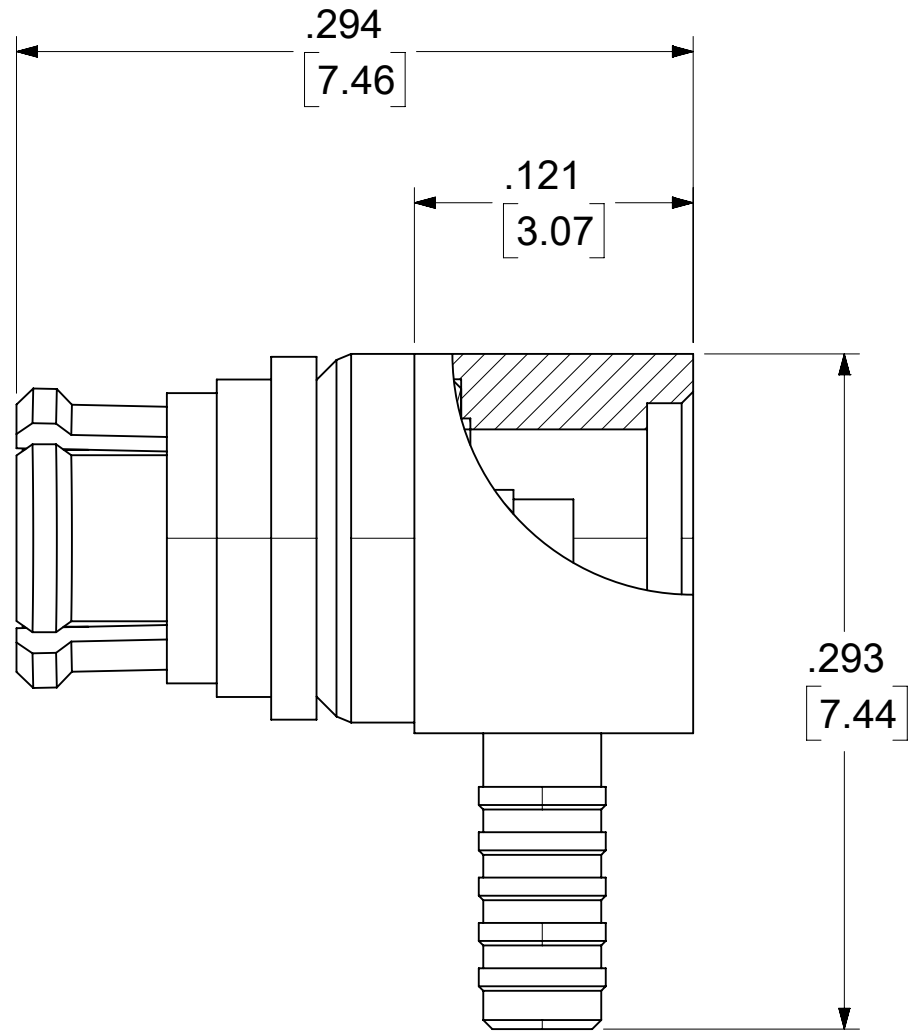
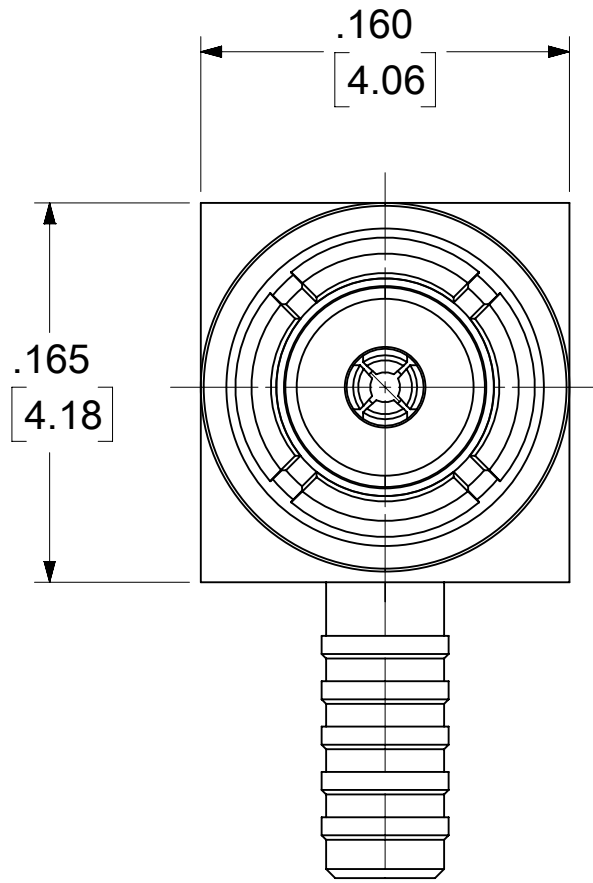
INSULATOR TEFLON

CAP BRASS
PLATED GOLD

EMI RING BRASS
PLATED GOLD

OUTER CONTACT BERYLLIUM COPPER
PLATED GOLD

CRIMP TUBE BRASS
PLATED GOLD



RECOMMENDED CABLE STRIP DIMENSIONS

LABEL FORMAT FOR
73406-0171

PART NUMBER: 73406-0170
ORDER NUMBER: 73406-0171
MOLEX
DATE: YYWW

73406-0171	73406-0170 ONE PER BAG	895420470
73406-0170	73406-0170 TRAY	895420040
PART NO.	DESCRIPTION	PACKING SPEC

MIL-STD-348A, FIG. 326.1	INTERFACE
SPECIFICATION	DESCRIPTION

FUNCTIONAL SYMBOLS	THIS DRAWING CONTAINS INFORMATION THAT IS PROPRIETARY TO MOLEX ELECTRONIC TECHNOLOGIES, LLC AND SHOULD NOT BE USED WITHOUT WRITTEN PERMISSION			
$\frac{F}{A} = 0$ $\frac{E}{C} = 0$ $\frac{P}{D} = 0$	DIMENSION UNITS: INCH/MM SCALE: NTS	CURRENT REV DESC: ADD 73406-0171 PER EWR# 15321-C EC NO: 718723 DRWN: ELIN 2022/08/19 CHK'D: YCHENG 2022/08/30 APPR: YCHENG 2022/08/30		
DIVISIONAL SYMBOLS	GENERAL TOLERANCES (UNLESS SPECIFIED) ANGULAR TOL ± 2.0° 4 PLACES ± 3 PLACES ± 2 PLACES ± 1 PLACE ± 0 PLACES ±	INITIAL REVISION: DRWN: RYEH 2010/10/04 APPR: MHUANG 2010/10/23	DOCUMENT NUMBER: SD-73406-017 DOC TYPE: PSD DOC PART: 001 REVISION: B1	
DRAFT WHERE APPLICABLE MUST REMAIN WITHIN DIMENSIONS	THIRD ANGLE PROJECTION	DRAWING: C-SIZE	SERIES: 73406 MATERIAL NUMBER: SEE TABLE CUSTOMER: GENERAL MARKET SHEET NUMBER: 1 OF 1	