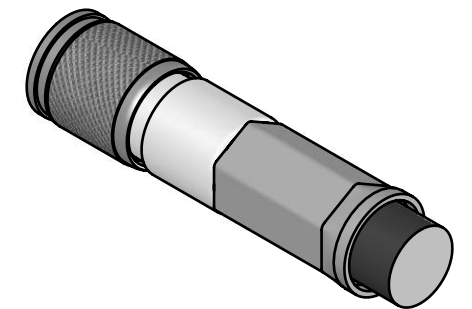


RECOMMENDED CABLE: BELDEN B1505A

CRIMPED FERRULE HEX CRIMP SIZE .255 [6.48].

CRIMPED CONTACT PIN HEX CRIMP SIZE .042 [1.07].

ALTERNATE CONTACT PIN RADIAL CRIMP TOOL:
 - DANIELS HAND TOOL NUMBER: MH992 OR MH995
 - DANIELS POSTIONER NUMBER: K1803



NOTES:

1. BODY: COPPER ALLOY, NICKEL PLATED.
2. CONTACT PIN: COPPER ALLOY, GOLD PLATED.
3. SPRING: BERYLLIUM COPPER, NICKEL PLATED.
4. TINE CONTACT: BERYLLIUM COPPER, GOLD PLATED.
5. INSULATOR: TEFLON
6. FERRULE: COPPER ALLOY, NICKEL PLATED.
7. CHARACTERISTIC IMPEDANCE: 75 OHMS, 3 GHz BANDWIDTH.
8. RETURN LOSS: MEETS HDTV SMPTE 424M SPECIFICATION.
9. DIMENSIONS ARE FOR REFERENCE ONLY.
10. THIS PRODUCT IS RoHS COMPLIANT.

RECOMMENDED CABLE STRIPPING AND CRIMPING DIMENSIONS

CUSTOMER DRAWING

| | | | | | | | | | | | |
|-----------|------------|------|----|------|--|---------|-----------|--------------------|----------|----------|-----|
| | | | | | THIS DRAWING DESCRIBES A DESIGN CONSIDERED PROPRIETARY IN NATURE, DEVELOPED AND MANUFACTURED BY SWITCHCRAFT INC. AND IS RELEASED ON A CONFIDENTIAL BASIS FOR IDENTIFICATION PURPOSES ONLY. | | | | | | |
| | | | | | SIZE * | WIDTH * | MULT * | LBS/M * | TEMPER * | | |
| | | | | | FINISH * | | | MATERIAL SEE NOTES | | | |
| | | | | | SPEC No. * | | | SPEC No. * | | | |
| | | | | | FIRST USED ON * | | SCALE 4:1 | | | | |
| | | | | | DATE DRAWN | BY | CHKD | APVD | | | |
| | | | | | 04/29/10 | ZS | 04/29/10 | 04/29/10 | | | |
| | | | | | | | SRC | SRC | | | |
| | | | | | NAME | | | | | PART No. | REV |
| | | | | | DIN 1.0/2.3 PLUG, 75 OHMS, RoHS | | | | | DIN1505A | B |
| REV | ECO NUMBER | DATE | BY | APVD | DO NOT SCALE DRAWING | | | | | | |
| REVISIONS | | | | | | | | | | | |

SolidWorks CAD File