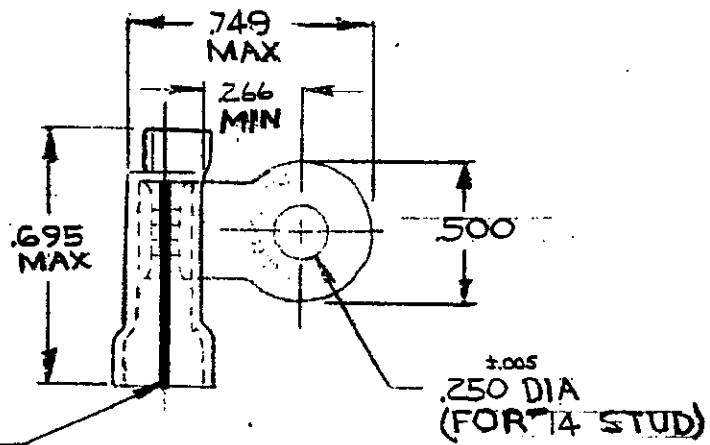


DESIGNED BY AMP INCORPORATED. ALL RIGHTS RESERVED. AMP PRODUCTS COVERED BY PATENTS AND/OR PATENTS PENDING.

REVISIONS			
LTR	DESCRIPTION	DATE	APPROVED
A	REDRAWN & REVISED	7-21-68	FRW
B	REV/0120-0185-97	11-13-97	ME/SB

322307



TONGUE MATERIAL THICKNESS = .040 ±.002
 FOR .115 TO .170 WIRE INSULATION DIA

1	WIRE TERMINAL	322307	SLEEVE: PVC COLOR: NATURAL BODY: COPPER (QQ-C-576) TIN PL (MIL-T-10727)
---	---------------	--------	---

UNLESS OTHERWISE SPECIFIED DIMENSIONS ARE IN INCHES
 TOLERANCES ON:
 DECIMALS .008
 ANGLES ±.5°

CONTRACT NO.	—#—
DR.	<i>S. J. [unclear]</i> 7-23-68
CHK.	<i>FRW</i> 7-21-68
APPD.	<i>Swabel</i> 8-30-68
REL.	



AMP INCORPORATED
 HARRISBURG, PENNSYLVANIA

NAME: WIRE TERMINAL
 PLASTI-GRIP RING TONGUE FLAG
 WIRE SIZE: 20-16 HD

MATERIAL
 SEE TABLE

DESIGN APPD.	
OTHER APPD.	

SIZE	CODE IDENT NO.	NUMBER
A	00779	322307

SCALE: 2:1