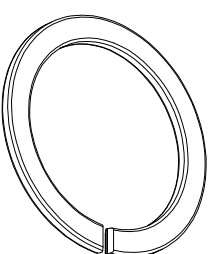
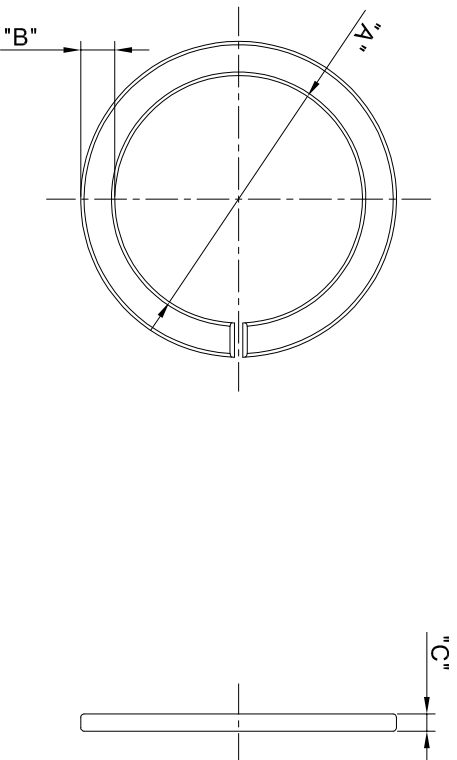


| REVISIONS |     |                    |             |             |
|-----------|-----|--------------------|-------------|-------------|
| REV       | ECO | DESCRIPTION        | DATE        | BY APPR     |
| A1        |     | FIRST RELEASED     | Apr.05.2016 | Drack Tommy |
| A2        |     | UPDATE THE NOTES   | Jul.20.2016 | Drack Tommy |
| A3        |     | ADD 16# & 18# PART | Nov.22.2017 | Nick Tommy  |



| SHELL | P/N       | DIM A | DIM B | DIM C |
|-------|-----------|-------|-------|-------|
| 8#    | RTS8CCRX  | Ø11.2 | 2.0   | 1.0   |
| 10#   | RTS10CCRX | Ø14.5 | 2.0   | 1.0   |
| 12#   | RTS12CCRX | Ø18.5 | 1.9   | 1.2   |
| 14#   | RTS14CCRX | Ø21.7 | 1.9   | 1.8   |
| 16#   | RTS16CCRX | Ø24.2 | 1.9   | 1.0   |
| 18#   | RTS18CCRX | Ø27.6 | 1.9   | 1.0   |

"X" DENOTE COLOR:  
 WHEN "X"="G", GREEN, PANTONE 348C.  
 WHEN "X"="R", RED, PANTONE 194C.  
 WHEN "X"="Y", YELLOW, PANTONE 123C.

NOTES : (UNLESS OTHERWISE SPECIFIED)  
 1. MATERIAL : THERMOPLASTIC , UI94 V-0.

2. SPECIFICATIONS :  
 2.1. OPERATING TEMPERATURE : -40°C ~ 125°C.  
 2.2. ROHS COMPLIANT.

3. ALL DIMENSIONS ARE FOR REFERENCE USE ONLY.

| QUANTITY              | PART NUMBER | DESCRIPTION | ITEM |
|-----------------------|-------------|-------------|------|
| <b>MATERIALS LIST</b> |             |             |      |

|  |                 |           |  |
|--|-----------------|-----------|--|
| UNLESS OTHERWISE SPECIFIED<br>1) All dimensions are in millimeters.<br>2) Tolerances are as follows:<br>1 Pt. DEC 40.30 Fractions .1"1/4<br>3 Pt. DEC 40.08 Angles .1° | SIGNATURES      | DATE      | <p style="text-align: center;"><b>Amphenol</b></p> <p>Sine Systems - www.amphenol-sine.com<br/>         44724 Morley Drive<br/>         Clinton Township, MI 48036</p> |
| 3) Note reference =  | DRAWN: Nick     | Nov/22/07 |  |
| MATERIAL SPECIFICATIONS:   | CHECKED: Tod    | Nov/22/07 |  |
| PROCESS SPECIFICATIONS:  | ENGINEER: Tommy | Nov/22/07 |  |
| NEXT ASST:   | APPROVAL: Tommy | Nov/22/07 | ECO-MATE IDENTIFY RING   |
|  | CUSTOMER:       |           | SIZE 08, 10, 12, 14, 16, 18  |
|  |                 |           | REVISION   |

|   |             |      |          |          |
|---|-------------|------|----------|----------|
| THIS DRAWING IS SUPPLEMENTARY TO THE AMPHENOL DRAWING. SPECIFICATIONS AND PERFORMANCE DATA ARE THE PROPERTY OF AMPHENOL CORPORATION. NO PARTS OR REPRODUCTION ARE PERMITTED. ALL MANUFACTURING VARIATIONS NORMAL. | SIZE        | TYPE | DWG NO.  | REVISION |
|   | B           | C-   | RTSXCCRX | A3       |
|   | SCALE: NONE |      |          |          |
|   | SHEET 1     | OF 1 |          |          |

TTITLE:ECO-MATE IDENTIFY RING,SIZE 08,10,12,14,16,18 DWG NO:

RTSXCCRX

REV: A3

SH: 1

OF: 1